

BLENDER & BEVERAGE CENTER

SIZES & SPECIFICATIONS

Stainless steel cabinet bases are available to support bar modules

HWC	Cocktail Center Built In
HWB	Blender Station Built In
HWCB	Cocktail Center with 19-1/8" Dry Underbar Base
HWCB	Cocktail Center with 23-1/8" Dry Underbar Base
HWBB	Blender Station with 19-1/8" Dry Underbar Base
HWBB	Blender Station with 23-1/8" Dry Underbar Base
HWLB	Liquor Shelf with 19-1/8" Dry Underbar Base
HWLB	Liquor Shelf with 23-1/8" Dry Underbar Base

Base Options

Standard Height

Low Height

No Base

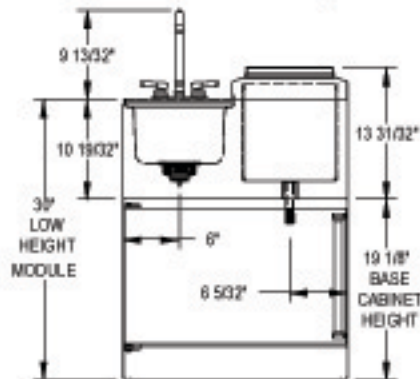
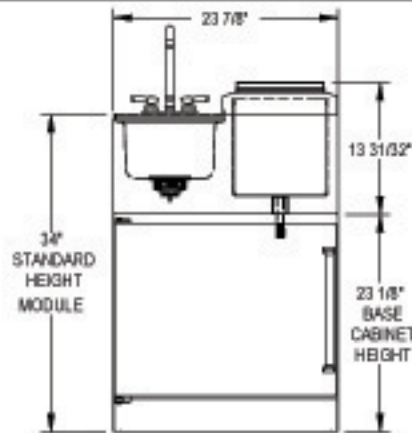
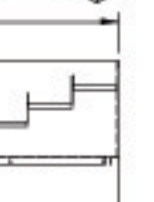
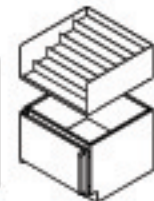
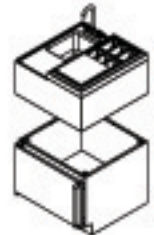
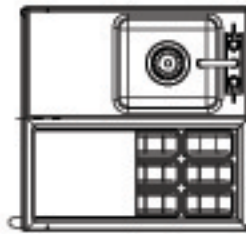
Base Door Options

Solid stainless steel standard height base

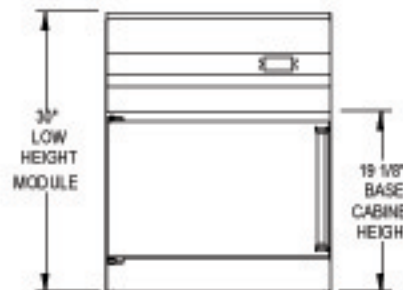
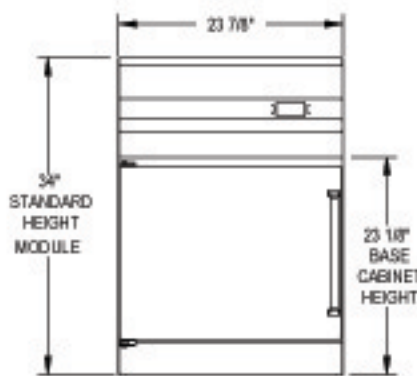
Solid stainless steel low height base

Wood trim kit standard height door

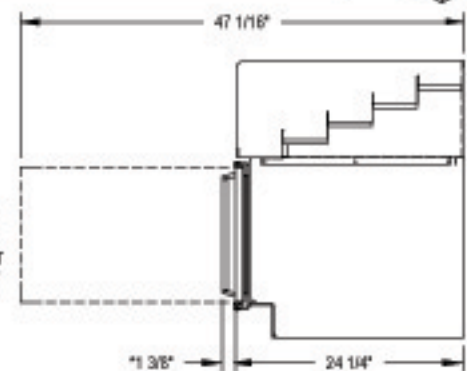
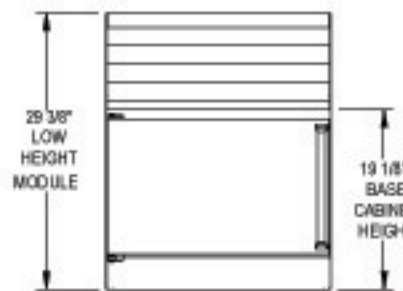
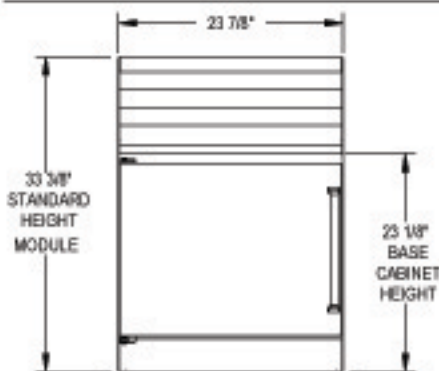
Wood trim kit low height door



*1 3/8" *Perlick supplied door handle



*1 3/8" *Perlick supplied door handle



*Perlick supplied door handle

*Additional specifications available for built-in application