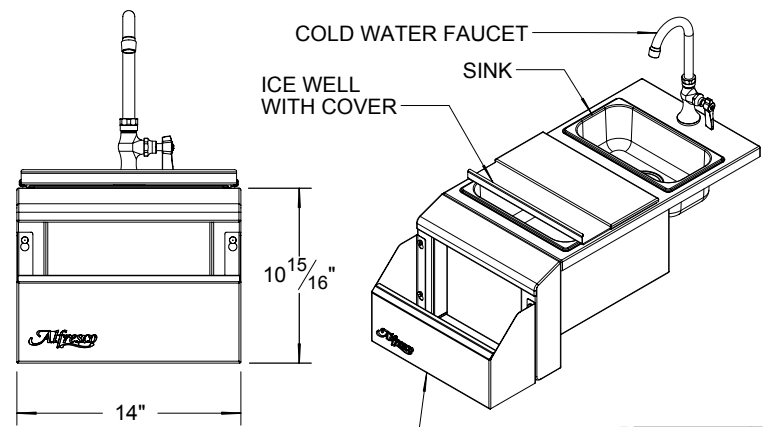
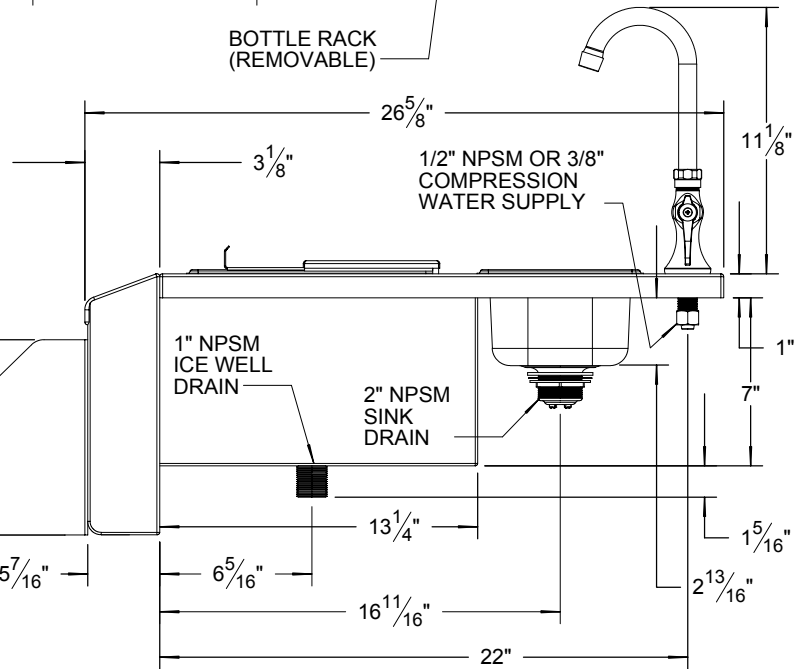


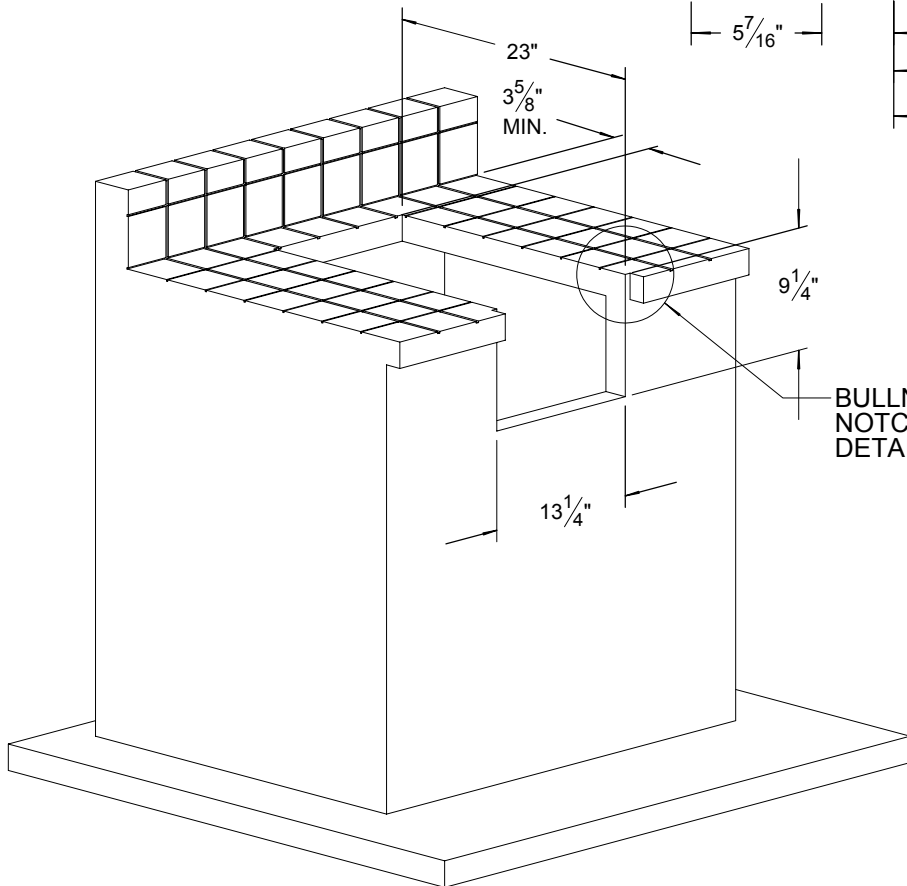
**ADT-14 TYPICAL INSTALLATION**



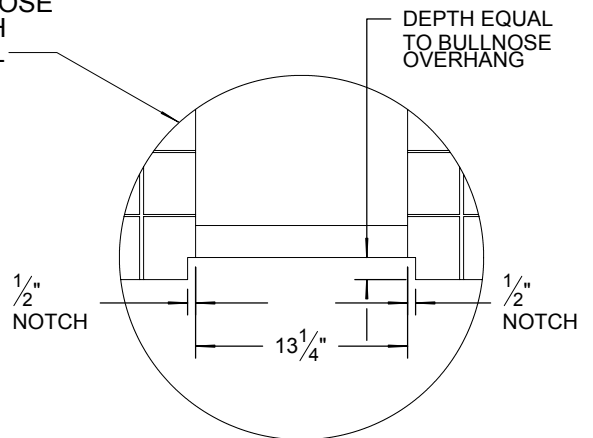
**BOTTLE RACK (REMOVABLE)**



**COUNTERTOP CUTOUT REQUIREMENTS**



**BULLNOSE NOTCH DETAIL**



**NOTE:**  
COLD WATER SUPPLY AS WELL AS A DRAIN MUST BE PROVIDED INSIDE THE COUNTER FOR PROPER ADT-14 HOOKUP.