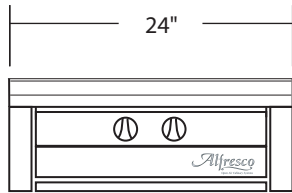
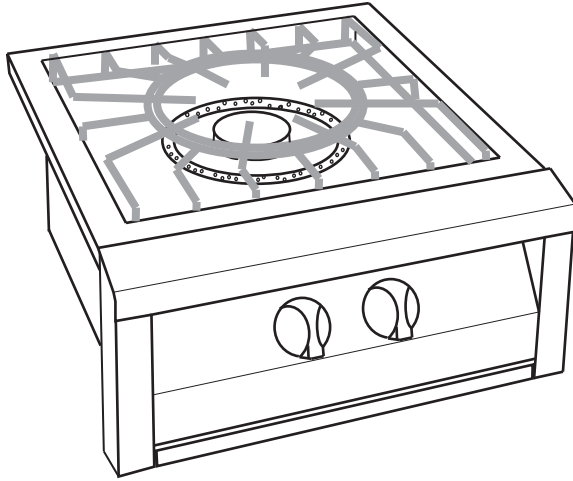


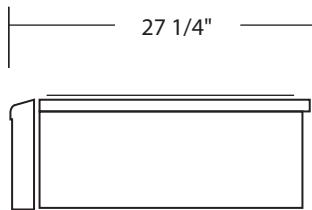
VersaPower Specifications

MODEL: AGVPC

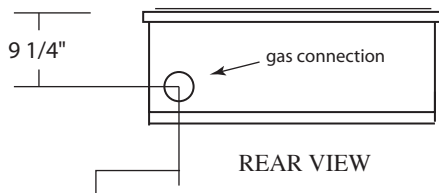
"THE MOST VERSITILE OUTDOOR COOKER PERIOD"



FRONT VIEW



SIDE VIEW



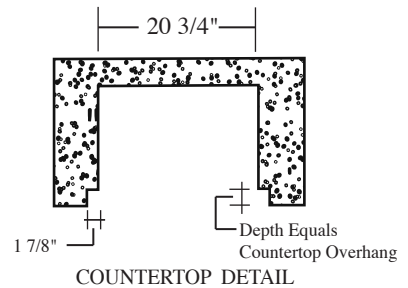
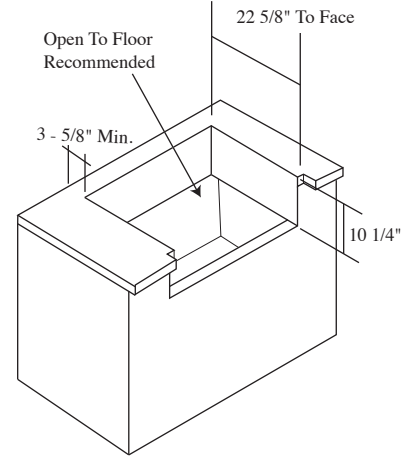
REAR VIEW

4 5/8"

MODEL NUMBER	AGVP-24
GRATE AREA	400 SQ. INCHES
CENTER BRASS BURNER	20,000 BTU
OUTTER S/S POWER BURNER	40,000 BTU
APPLIANCE TOTAL BTU	60,000 BTU
SHIPPING WEIGHT (built-in)	65 lbs



ISLAND PREPARATION



COUNTERTOP DETAIL

GAS REQUIREMENTS

Natural

- 1 / 2" NPT
- Gas Supply Pressure: 4" W.C

Propane (LP)

- 1 / 2" NPT
- Supply Pressure: 10" W.C
- LP Hose With Regulator Included

ELECTRICAL REQUIREMENTS

- NA

VERSAPOWER TRANSFORMING ACCESSORIES

- Teppanyaki Griddle (stainless steel)
- Deep Fat Fryer / Pasta Cooker (2) Fry Baskets Incl.
- Commercial Pasta Cooking Basket
- 14" Professional Wok
- 22" Professional Wok
- 10" High s/s Pot Filler Tower w/ Faucet
- 14" High s/s Pot Filler Tower w/ Faucet

"THE MOST VERSITILE OUTDOOR COOKER PERIOD"