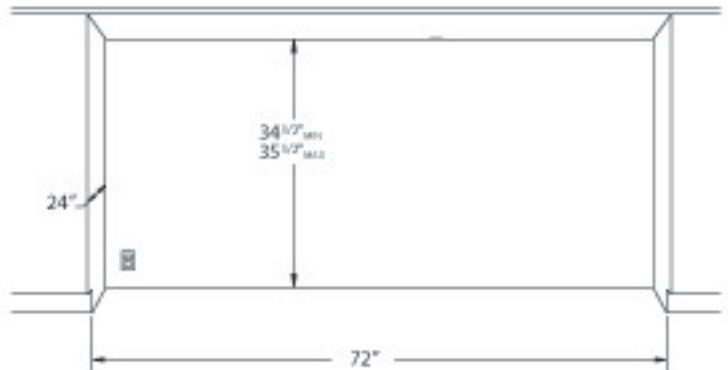
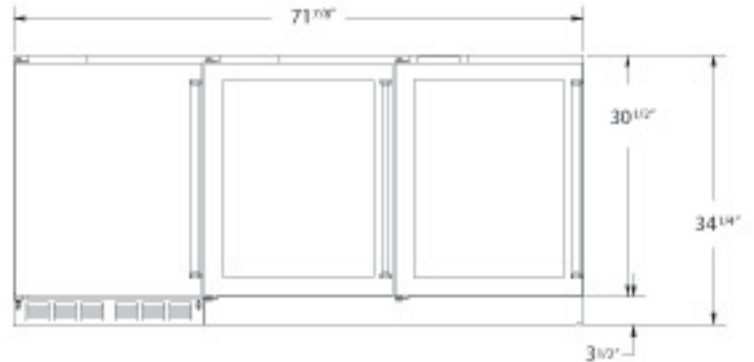


SIZES & SPECIFICATIONS



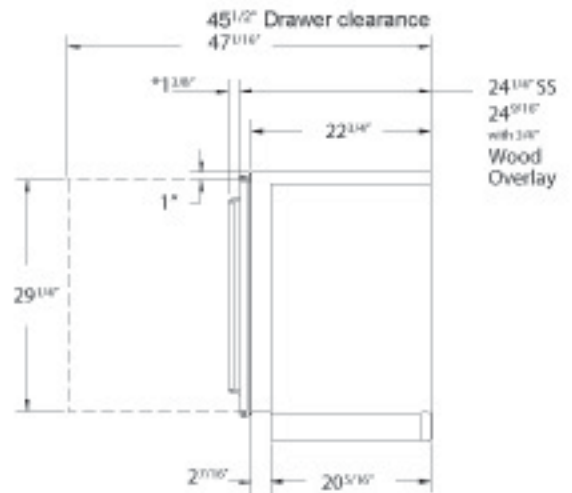
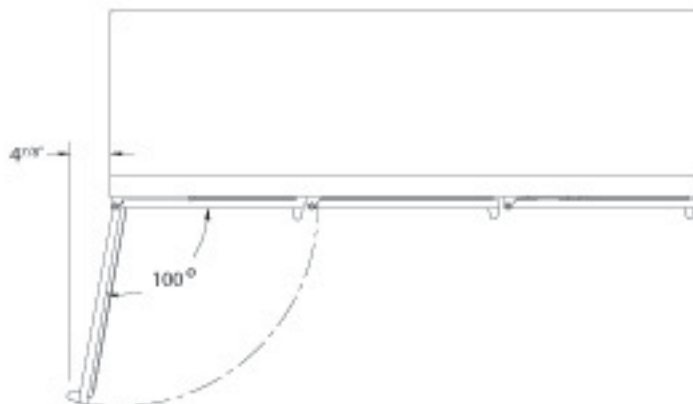
H3FRC-B	72" Freezer/Refrigerator = Refrigerator Built In
H3FRC-S	72" Freezer/Refrigerator = Refrigerator All Stainless
H3FRW-B	72" Freezer/Refrigerator/Wine Built In
H3FRW-S	72" Freezer/Refrigerator/Wine All Stainless
H3ROC-B	72" Refrigerator = Refrigerator = Refrigerator Built In
H3ROC-S	72" Refrigerator = Refrigerator = Refrigerator All Stainless
H3ROO-O	72" Refrigerator = Refrigerator = Refrigerator Outdoor
H3ROW-B	72" Refrigerator = Refrigerator/ Wine Built In
H3ROW-S	72" Refrigerator = Refrigerator/ Wine All Stainless
H3RWW-B	72" Refrigerator/Wine/Wine Built In
H3RWW-S	72" Refrigerator/Wine/Wine All Stainless
H3RWC-B	72" Refrigerator/Wine = Wine Built In
H3RWC-S	72" Refrigerator/Wine = Wine All Stainless
H3WWW-B	72" Wine/Wine/Wine Built In
H3WWW-S	72" Wine/Wine/Wine All Stainless
H3WOW-B	72" Wine = Wine/Wine Built In
H3WOW-S	72" Wine = Wine/Wine All Stainless
H3WOC-B	72" Wine/Wine = Wine Built In
H3WOC-S	72" Wine/Wine = Wine All Stainless
H3WOC-O	72" Wine = Wine = Wine Outdoor



Door/Drawer Options

- Solid stainless steel
- Wood overlay kit
- Glass with stainless steel trim (not freezer, not drawer)
- Glass with wood trim kit (not freezer, not drawer)

- Electrical** 115V, 60Hz., 1 phase AC, 3.8 amp.
- Plumbing** None required - condensate evaporates automatically
- Door Hinging** Field reversible doors
- Shipping Weight** 380 lbs.
- Refrigerated Vol.** up to 19.0 cubic ft



* Perlick supplied door handle