

Professional Wall Mount Ventilation Hoods



VS48 48" Pro Wall Mount Vent Hood shown with VDC1248 12" Wall Mount Duct Cover (as shown)



IR48 Infrared Heating Lamps (as shown)

Professional chefs need powerful ventilation when cooking. Our ventilation systems eliminate unwanted grease, smoke and odors instantly, allowing you to get on with the business at hand without worrying about driving your guests out of the kitchen. This means a more enjoyable cooking experience.

ADDITIONAL FEATURES:

- Available in 30", 36" and 48" widths
- Available at 600 and 1200 CFM (see specifications)
- 2 level halogen lighting
- 4 level exhaust control
- Stainless steel baffles and grease filter trays
- Vertical ducting option
- Infrared warming lights accessory available

E-Pro Ventilation Hoods



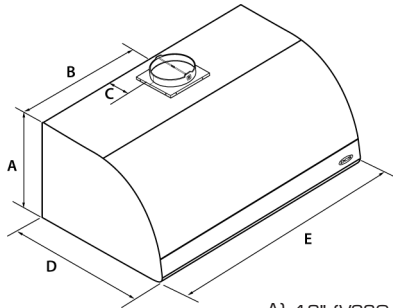
ES36 36" E-Pro Hood shown

True chefs are adventurous, using exotic spices and ingredients. Our E-Pro Ventilation Hoods and Downdraft Systems allow you to be your most expressive while eliminating unwanted smoke and odor.

ADDITIONAL FEATURES:

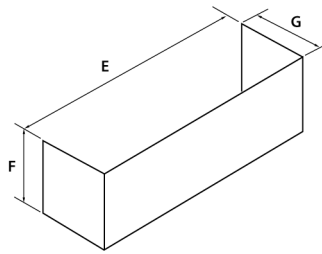
- Available in 30" and 36" widths
- Available at 600 CFM
- 2 level halogen lighting
- 4 level exhaust control
- Stainless steel baffles and grease filter trays
- Vertical ducting option
- Infrared warming lights accessory available

Vent Hood Dimensions:



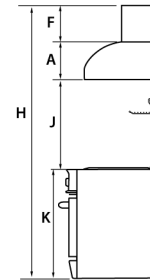
- A) 18" (VS30/VS36/VS1236/VS48)
12" (ES30/ES36)
- B) 14-15/16" (VS30/ES30)
17-15/16" (VS36/VS1236/ES36)
23-15/16" (VS48)
- C) 6"
- D) 25" (VS36/VS1236/VS48)
23" (ES30/ES36)

Duct Cover Dimensions:



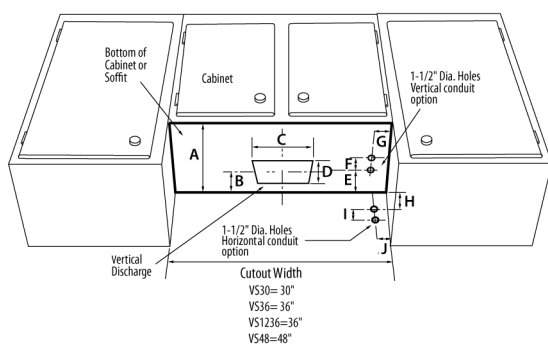
- E) 29-7/8" (VS30/ES30)
35-7/8" (VS36/VS1236/ES36)
47-7/8" (VS48)
- F) 6" or 12" (duct cover accessory height)*
- G) 12"
- H) 8"
- J) 30" min. (30" - 36" recommended)
- K) 36"

Vent Hood Installation:

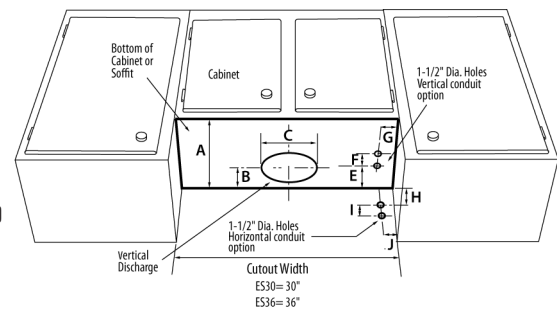


* Duct covers are stackable to accommodate various ceiling heights

Professional and E-Pro Vent Hood Cabinet Preparation:



- A) Min. 12"
- B) 6"
- C) 11" (VS36/VS1236/VS48)
10" (ES30/ES36)
- D) 11" (VS36/VS1236/VS48)
- E) 6-3/4"
- F) 1-7/8"
- G) 5-3/4"
- H) 8-3/8" (VS36/VS1236/VS48)
5-7/8" (ES30/ES36)
- I) 1-7/8"
- J) 5-1/8"



Ventilation Systems	48" Vent Hoods	36" Vent Hoods		30" Vent Hoods	Euro Vent Hoods	
MODEL NUMBER	VS48	VS36	VS1236	VS30	ES30	ES36
CFM RATING	1,200	600	1,200	600	600	600
MAXIMUM DUCT LENGTH	40'	40'	40'	40'	40'	40'
REQUIRED DUCT SIZE (DIAMETER)	10"	8"	10"	8"	8"	8"

Note: Because of continuing product improvement these specifications are subject to change without notice.

Power Requirements:

- > 120V 60Hz
- > 15 amp circuit

Recommended Accessories

- > 48" Infrared Warming Lamps (IR48)
- > 36" Infrared Warming Lamps (IR36)
- > 30" Infrared Warming Lamps (IR30)