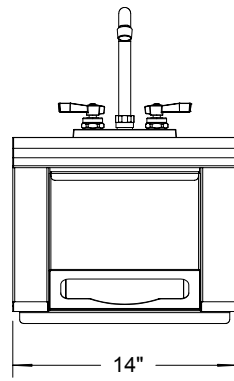
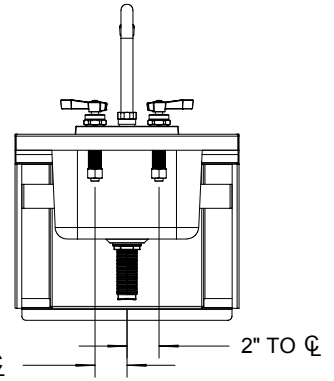


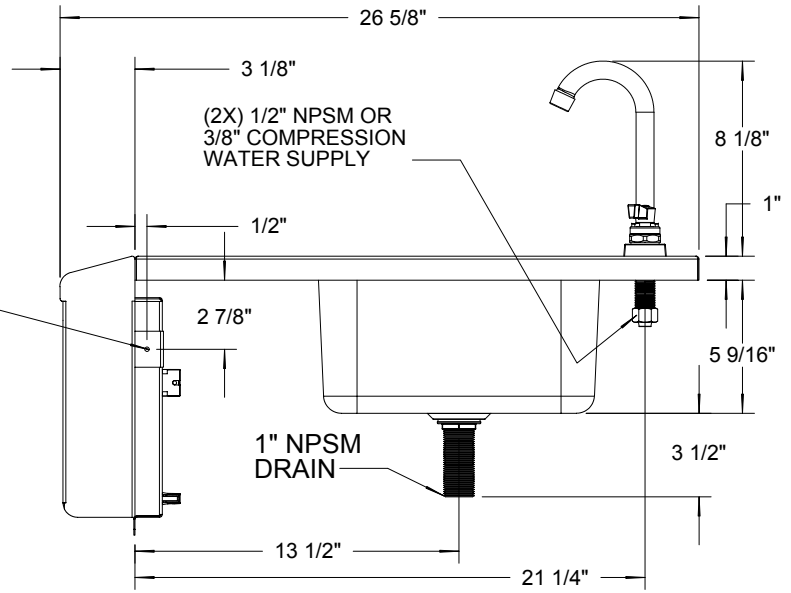
**ASK-T TYPICAL INSTALLATION**



**FRONT VIEW**

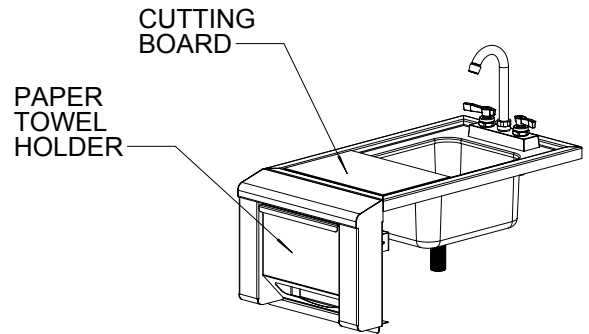
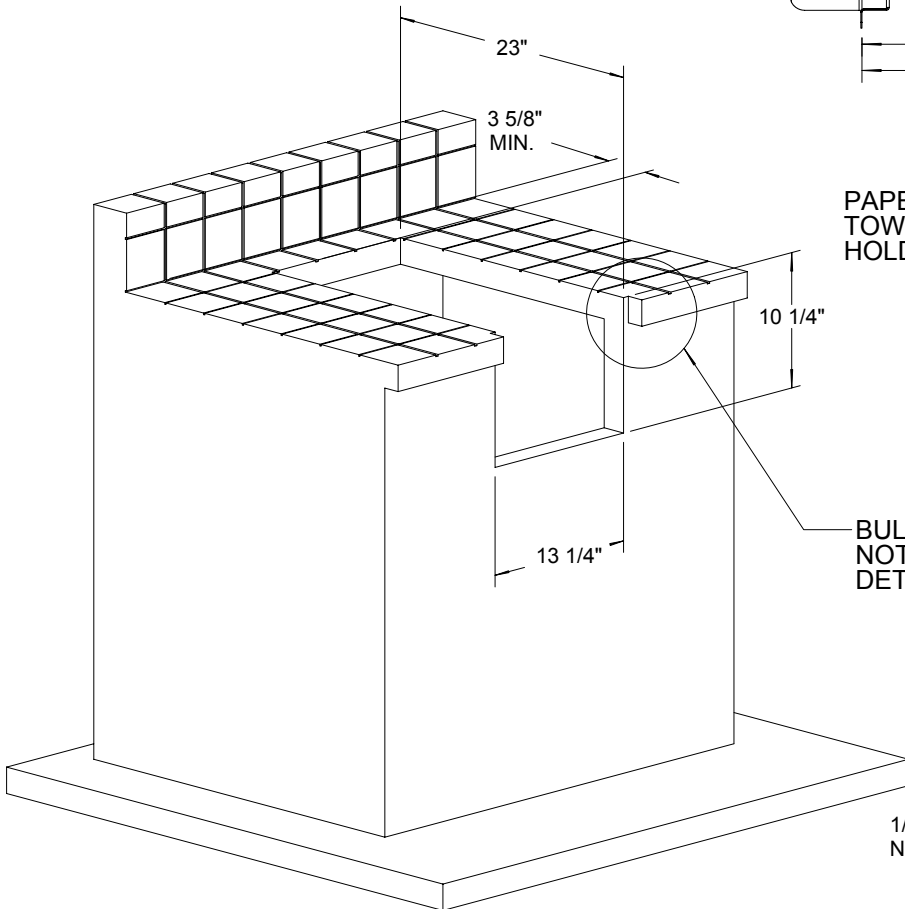


**BACK VIEW**



**COUNTERTOP CUTOUT REQUIREMENTS**

**NOTE:**  
HOT & COLD WATER SUPPLY AS WELL AS A DRAIN MUST BE PROVIDED INSIDE THE COUNTER FOR PROPER ASK-T HOOKUP.



**BULLNOSE NOTCH DETAIL**

