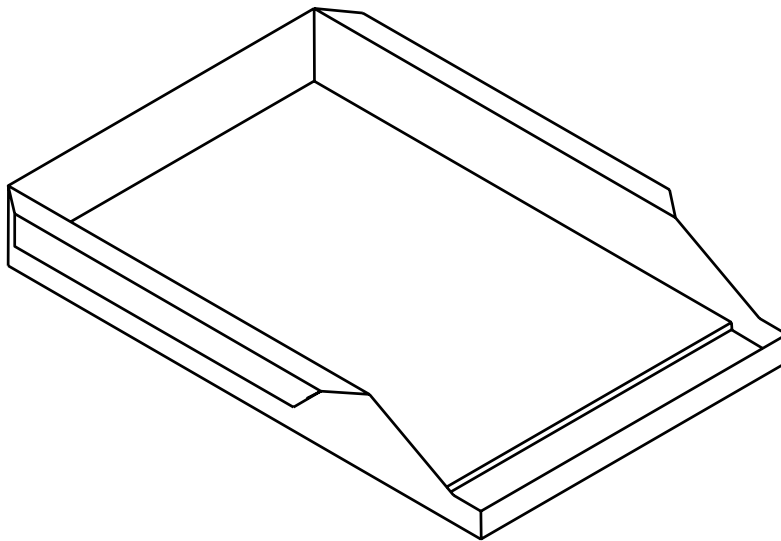




## Twin Eagles Griddle Plate

*Defining the Art of Outdoor Cooking*



**TEGP-12**

### Features:

- ▼ #304 Stainless steel welded construction
- ▼ Stainless steel griddle plate, thick gauge and polished
- ▼ Grease collector
- ▼ Easy to use

### Specifications:

#### Overall Dimensions

Height	: 2.50"
Width	: 13.00"
Depth	: 19.00"
Weight	: 12 lbs