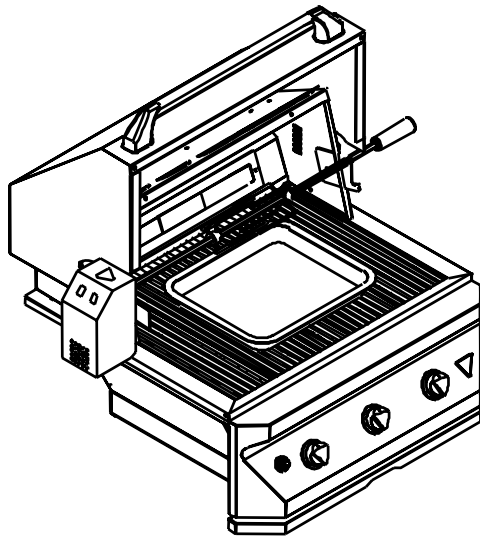


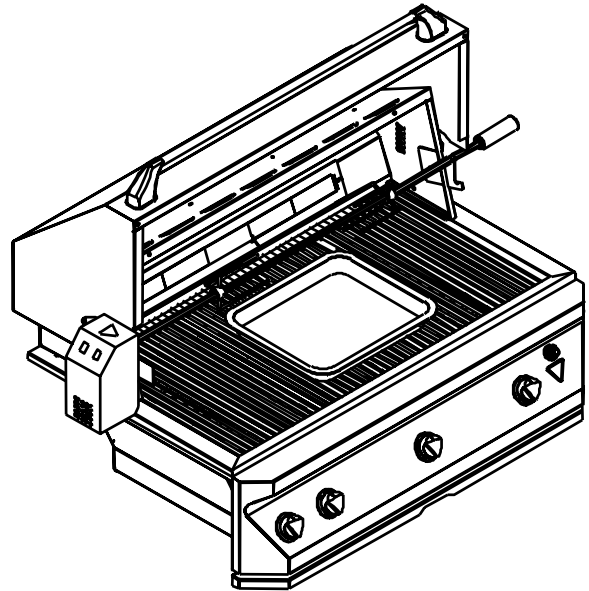


Twin Eagles Outdoor Gas Grill with Infrared Rotisserie

Defining the Art of Outdoor Cooking



TPBQ-30R



TPBQ-42R

Features:

- ▼ #304 Stainless steel welded construction
- ▼ Seamless weld, double wall front hood with hi-lites
- ▼ Stainless steel hexagonal grates
- ▼ One piece seamless front panel with hi-lites
- ▼ 50,000 / 75,000 BTU (30R / 42R) Stainless steel heavy wall burners
- ▼ Ceramic grilling briquettes
- ▼ Battery powered electronic ignition
- ▼ 14,000 BTU infrared rear rotisserie burner (TPBQ-30R)
- ▼ 16,000 BTU infrared rear rotisserie burner (TPBQ-42R)
- ▼ Stainless steel 2-position, 100lb. Capacity rotis motor with 50 watt halogen light
- ▼ Stainless steel rotis spit with meat holder
- ▼ Easy clean porcelain basting pan
- ▼ Multi-location stainless steel smoker box (Standard on 42R / Optional on 30R)

Specifications:

Overall Dimensions

	TPBQ-30R	TPBQ-42R
Height	: 26.50"	: 26.50"
Width	: 30.00"	: 42.00"
Depth	: 29.00"	: 29.00"
Weight	: 190 lbs	: 250 lbs

Cutout Dimensions

	TPBQ-30R	TPBQ-42R
Height	: 11.75"	: 11.75"
Width	: 28.25"	: 40.25"
Depth	: 24.25"	: 24.25"

www.twineaglesbbq.com

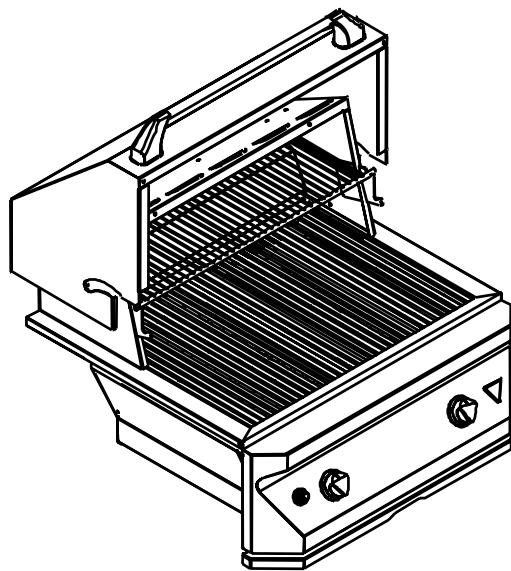
Twin Eagles, Inc.

13231 166th St. Cerritos, CA. 90703

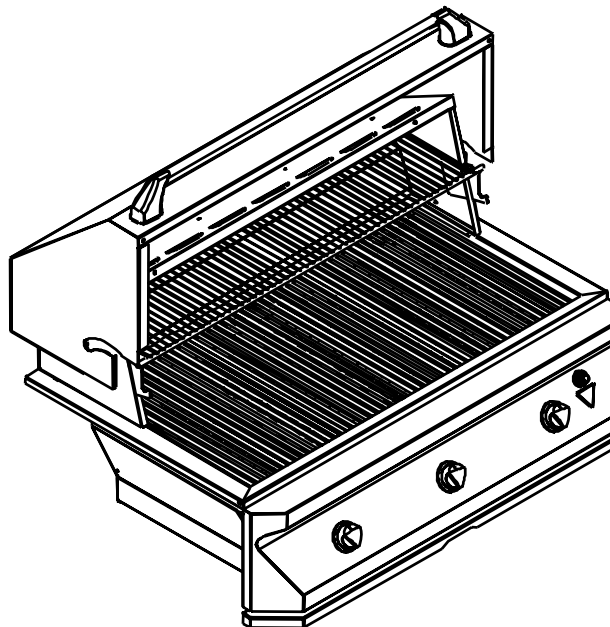


Twin Eagles Outdoor Gas Grill

Defining the Art of Outdoor Cooking



TPBQ-30G



TPBQ-42G

Features:

- ▼ #304 Stainless steel welded construction
- ▼ Seamless weld, double wall front hood with hi-lites
- ▼ Stainless steel hexagonal grates
- ▼ One piece seamless front panel with hi-lites
- ▼ 25, 000 BTU stainless steel heavy wall burner
- ▼ Ceramic grilling briquettes
- ▼ Battery powered electronic ignition
- ▼ Detailed finish with hi-lites
- ▼ Multi-location stainless steel smoker box (Standard on 42G / Optional on 30G)

Specifications:

Overall Dimensions

	TPBQ-30G	TPBQ-42G
Height	: 26.50"	: 26.50"
Width	: 30.00"	: 42.00"
Depth	: 29.00"	: 29.00"
Weight	: 180 lbs	: 240 lbs

Cutout Dimensions

	TPBQ-30G	TPBQ-42G
Height	: 11.75"	: 11.75"
Width	: 28.25"	: 40.25"
Depth	: 24.25"	: 24.25"

www.twineaglesbbq.com

Twin Eagles, Inc.

13231 166th St. Cerritos, CA. 90703