

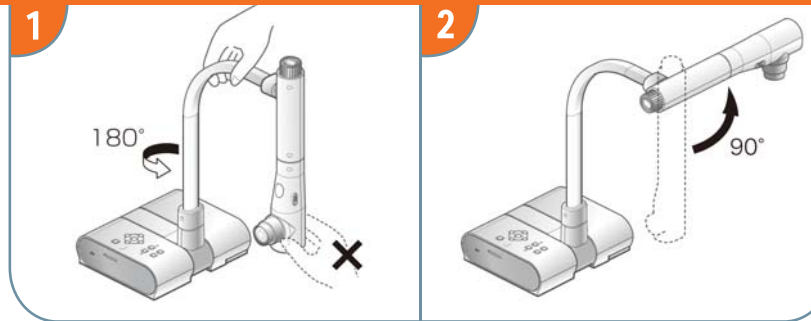
# Quick Start Guide

## Elmo Document Camera




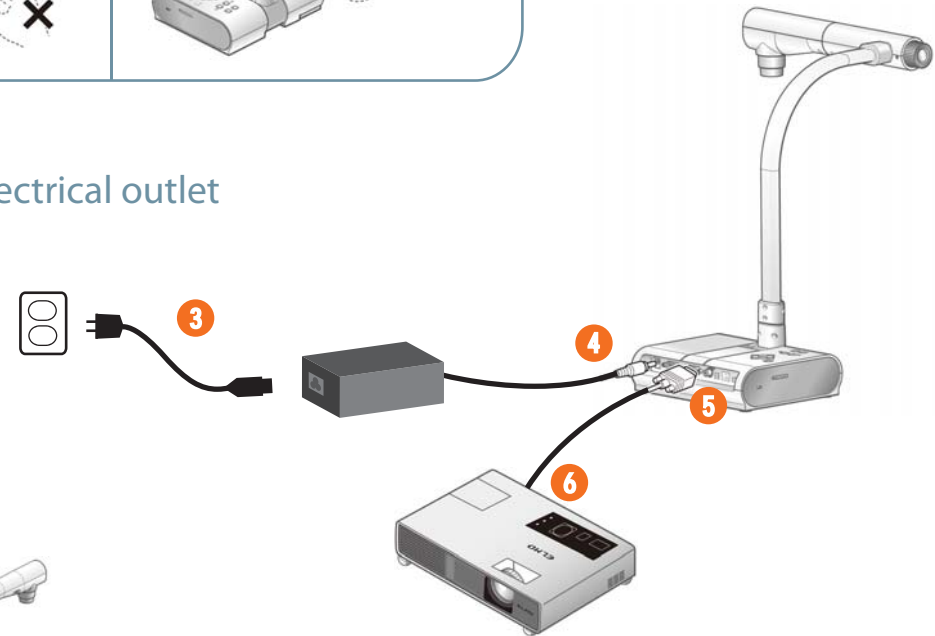
### Initial Setup

- 1 Rotate column counter-clockwise
- 2 Turn camera head upward



### Getting Up and Running

- 3 Connect power cable to AC adapter and plug cable into an electrical outlet
- 4 Connect DC plug from AC adapter to **DC IN 12V** terminal
- 5 Plug RGB cable into **RGB OUT** terminal
- 6 Connect other end of RGB cable to **VGA IN** on projector
- 7 Power ON the Elmo and projector 



### Adjusting the Image

- 8 Fit the **Stage** into position against the base unit 
- 9 Turn on **Illumination Lamp** 
- 10 Set mode to **CAMERA** and adjust **BRIGHTNESS** using the main panel
- 11 Rotate **Zoom Dial** to zoom in and out 
- 12 Push **Auto Focus Button** to focus the image

If you encounter any problems whatsoever, please call us at 1-877-633-8866. We're more than happy to help!