



**PT Ltd.**  
*Innovative Measurement Electronics*



# **PT200 Series**

## **GENERAL PURPOSE WEIGHT INDICATORS**



<http://www.pt-global.com>

# PT200 Series

## GENERAL PURPOSE WEIGHT INDICATORS

### PT200R BASIC INDICATOR



Panel mounted

The PT200 Series digital weight indicators offer high levels of performance and functionality by combining all the very latest advances in weighing technology into one compact package.

A powerful 24 bit Sigma-Delta A/D converter ensures fast and accurate weight readings are attained.

The four layer, surface mount PCB offers low power consumption and extreme durability under harsh operating conditions.

Comprehensive setup and calibration functions are displayed in plain text for clear understanding by the installer.

The software auto-detects the type of power input (plug-pack or internal batteries) and alters the power saving functions accordingly.

### PT200M MULTI-FUNCTION INDICATOR



Desk stand

Pole or wall mounted

## FEATURES

- 30,000 displayed divisions
- 12~24V DC input with power on/off
- Key 20mm LCD with LED backlighting
- Sealed membrane keypad (PT200P)
- Silicon keypad (PT200R/M)
- Function key (PT200M/P)
- RS-232 serial output (PT200M/P)
- 2 Isolated transistor outputs (PT200M/P)
- Panel mount, desk stand, pole/wall bracket
- LED backlighting
- Easy setup, no soldering
- 4 layer surface mount PCB
- Built-in EMC protection
- CE approved

### PT200P MULTI-FUNCTION INDICATOR (Stainless Steel IP65)



Wall or desk mounted

## PT200M & PT200P Functions

- Totalising
- High/low level control
- Clock & calendar memory
- 1 b/kg switching
- Live weight
- Peak hold
- Counting

## Ordering Information

| MODEL                      | Description                           | Part Number     |
|----------------------------|---------------------------------------|-----------------|
| PT200R Digital Indicator   | Basic Panel Mount                     | EP200RI0000XXX  |
| PT200R Digital Indicator   | Basic Desk Mount                      | EP200RI0010XXX  |
| PT200R Digital Indicator   | Basic Desk Mount & Power Pack         | EP200RI0020XXX  |
| PT200M Digital Indicator   | Multifunction Panel Mount             | EP200MI0000XXX  |
| PT200M Digital Indicator   | Multifunction Desk Mount              | EP200MI0010XXX  |
| PT200M Digital Indicator   | Multifunction Desk Mount & Power Pack | EP200MI0020XXX  |
| PT200R/PT200M Wall Bracket | Fits to Desk Mount                    | EP200XWALLBRACK |
| PT200P Digital Indicator   | Stainless Steel, 12V DC               | EP200PI0000XXX  |
| PT200P Digital Indicator   | Stainless Steel, AC Power             | EP200PI0020XXX  |
| opto-LINK                  | Data Coupling Cable                   | EP200XOPTOLINK  |

Free software download available from our PT ONLINE SHOP

## ADVANCED FEATURES

### opto-LINK



Opto-Isolated  
Data Coupling

- Connects to RS-232 port on PC
- Display mounted infra-red setup port
- Magnetically latched opto-connector

### firmware-FLASH



Easy Firmware  
Update

- Uses opto-LINK data coupling
- Update operating firmware
- Install custom software

### program-VIEWER



Virtual Window  
Into Indicator

- PC access to setup and calibration
- Save setup and calibration to file
- Monitor and log weighing operations
- Upload/download saved files to/from other indicators
- Point & click operation

### Battery Operation



PT200R & PT200M

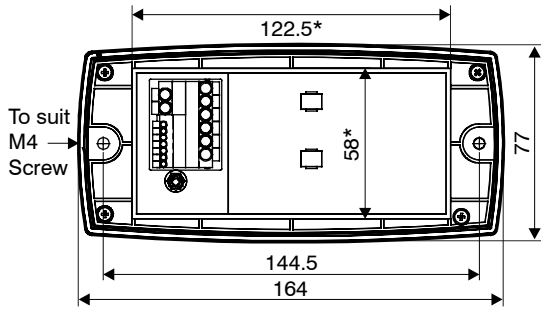
- Optional desk stand
- Battery Compartment (4 x A4 Batteries)

**PT ONLINE SHOP**

<http://www.shop.pt-global.com>

## Models PT200R & PT200M

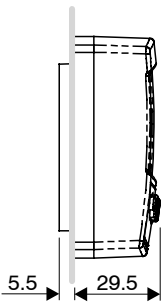
### Back View



\* Cutout Dimensions: 124.5mm x 60mm

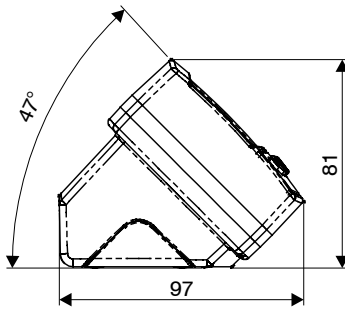
### Side View

(Basic Panel Mount)



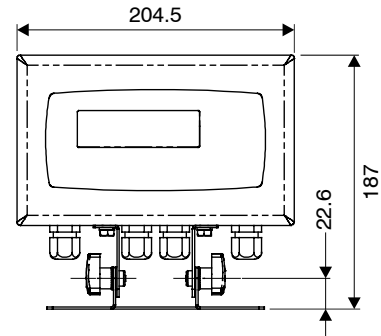
### Side View

(Basic Desk Mount)

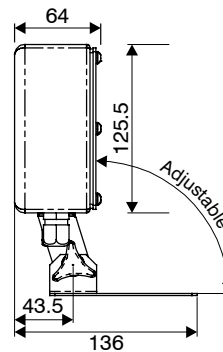


## Model PT200P

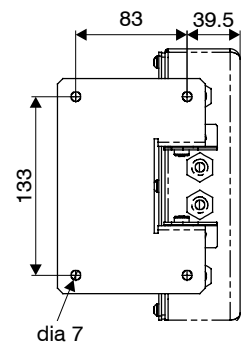
### Front View



### Side View



### Bottom View



Dimensions in mm (1 inch = 25.4mm)

## Specifications

Note: All specifications are a maximum, as a % ( $\pm$ ) of full load, unless otherwise stated.

### Performance

|                       |   |
|-----------------------|---|
| Resolution            | Up to 30,000 Divisions  |
|                       | Minimum of $0.25\mu\text{V}/\text{Division}$ , 20 Updates/Second<br>(Trade 4000 Divisions at $0.8\mu\text{V}/\text{Division}$ ) |
| Zero Cancellation     | $\pm 2\text{mV}/\text{V}$   |
| Span Adjustment       | 0.1 mV/V ~ 3mV/V Full Scale   |
| Stability/Drift       | Zero < $0.1\mu\text{V}/^\circ\text{C}$ (+8ppm Deadload Max)   |
|                       | Span < 8ppm/ $^\circ\text{C}$   |
|                       | Linearity < 20ppm   |
|                       | Noise < $0.2\mu\text{Vp-p}$   |
| Excitation            | 5V for up to 4 x 350 or 8 x 700 $\Omega$ Load Cells<br>(4-wire or 6-wire plus shield)   |
|                       | Maximum Total Load Cell Resistance: 1,000 $\Omega$  |
| A/D Type              | 24bit Sigma Delta with 8,388,608 Internal Counts  |
| A/D Conversion Rate   | 20Hz with FIR Filtering > 80dB  |
| Operating Environment | -10 ~ 50 $^\circ\text{C}$ Ambient Temperature   |
|                       | < 90% Non-Condensing Humidity   |
|                       | -20 ~ 50 $^\circ\text{C}$ Ambient Storage   |
| Case Materials        | PT200R & PT200M: IP55 when panel mounted, PT200P: IP65  |
|                       | PT200R & PT200M: ABS  |
|                       | Silicon Rubber, Nylon, Acrylic (no halogen used)  |
| Packing Weights       | Basic Indicator PT200R & PT200M: 0.34kg   |
|                       | PT200P: 2.4kg   |

### Digital

|                     |  |
|---------------------|--|
| Display             | LED Backlit LCD                                |
|                     | Six 20mm High Digits With Units & Annunciators |
| Setup & Calibration | Full Digital                                   |
|                     | Visual Prompting In Plain Messages             |
| Digital Filter      | Sliding Window Average 0.1 ~ 4 seconds         |
| Zero Range          | Adjustable 2 ~ 20% Full Capacity               |

Due to PT's policy of continuous development, these specifications are subject to change without notice.

### Power Input

|                      |  |
|----------------------|--|
| Standard Power Input | 12 ~ 24V DC (2.5 VA max)                         |
|                      | ON/OFF Key With Memory Feature                   |
| AC Plug Pack         | 110/240V AC 50/60HZ Input                        |
|                      | 12V DC 0.5A Output                               |
| Battery              | 4 x A4 (Alkaline/Rechargeable NiMH, NiCad, etc.) |

### Features

|                         |   |
|-------------------------|---|
| opto-LINK Data Coupling | Infra-red Connector                       |
|                         | Optional opto-LINK (PC RS-232 Port Cable) |

### PT200M Extra Features

|                                     |  |
|-------------------------------------|--|
| Five Point Linearity Correction     |  |
| RS-232 Automatic Transmit           | For Network or Printer Outputs             |
|                                     | Transmission Rate: 2400, 4800 or 9600 Baud |
| Assignable Function Key             | Unit Switching, Counting, Manual Hold      |
|                                     | Peak Hold, Live Weight and Totalising      |
| 2 Isolated Transistor Drive Outputs | 300mA Total At 50V DC                      |
| Battery Backed Clock Calendar       | Battery Life 10 Years Minimum              |

### PT200P Extra Features

Equivalent to PT200M with IP65 Stainless Steel Housing

**SUPPLIED BY:**  
(Dealer/Agent/Representative Details)



**PT Ltd.**  
"The Famous New Zealander"



Innovative Measurement Electronics

<http://www.pt-global.com>