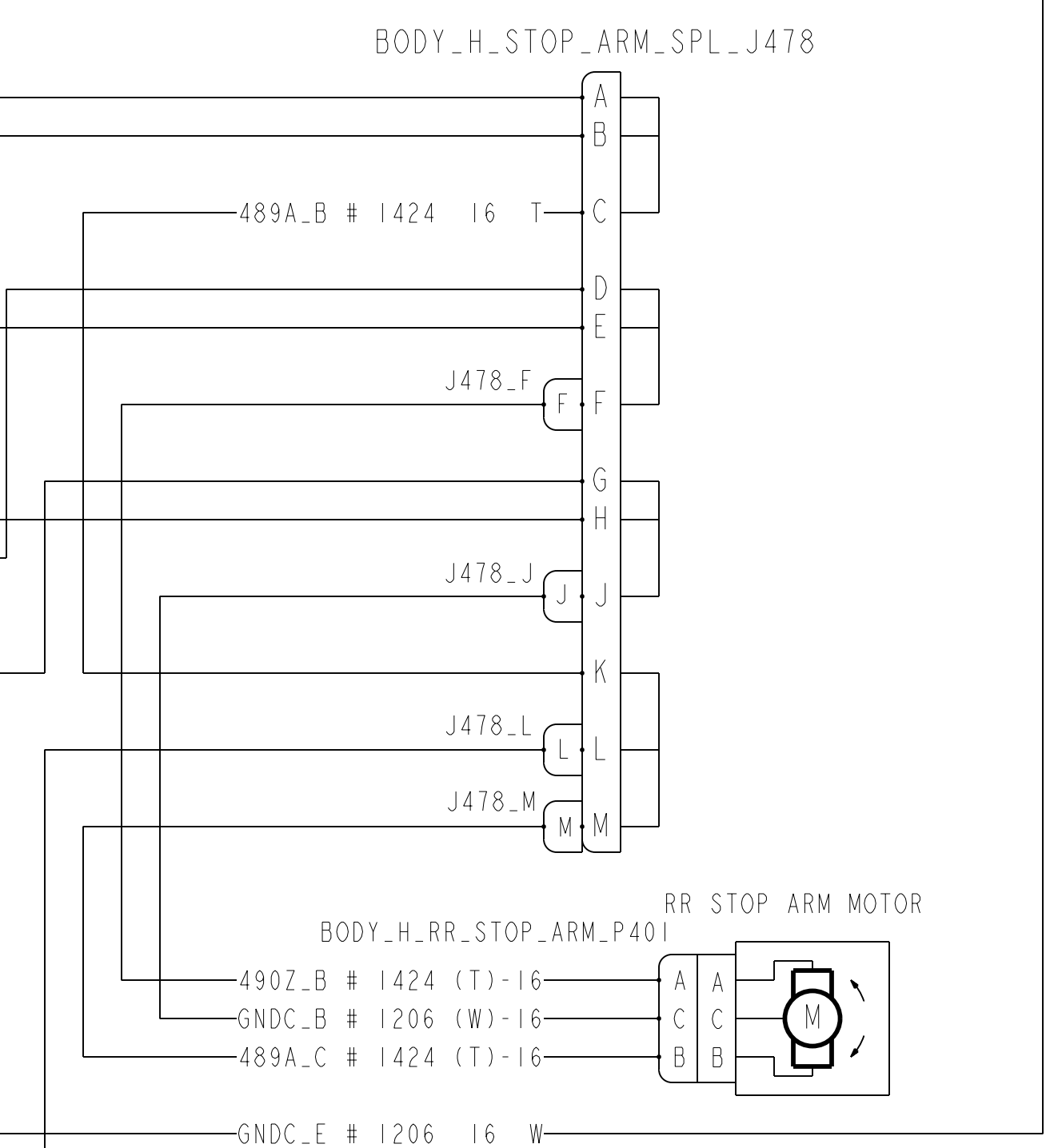
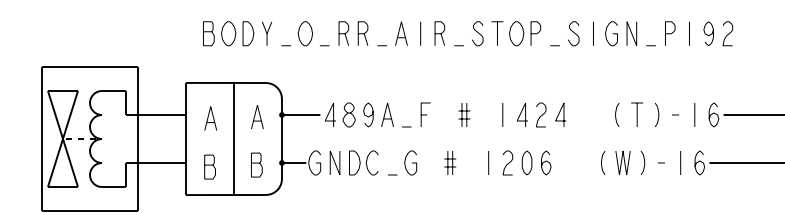
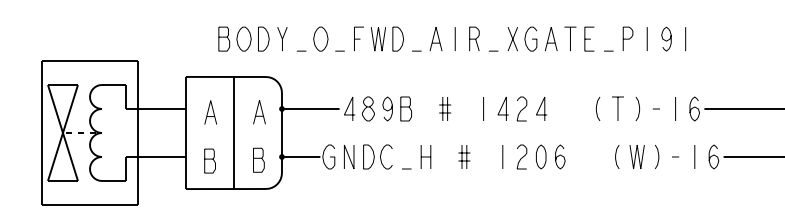
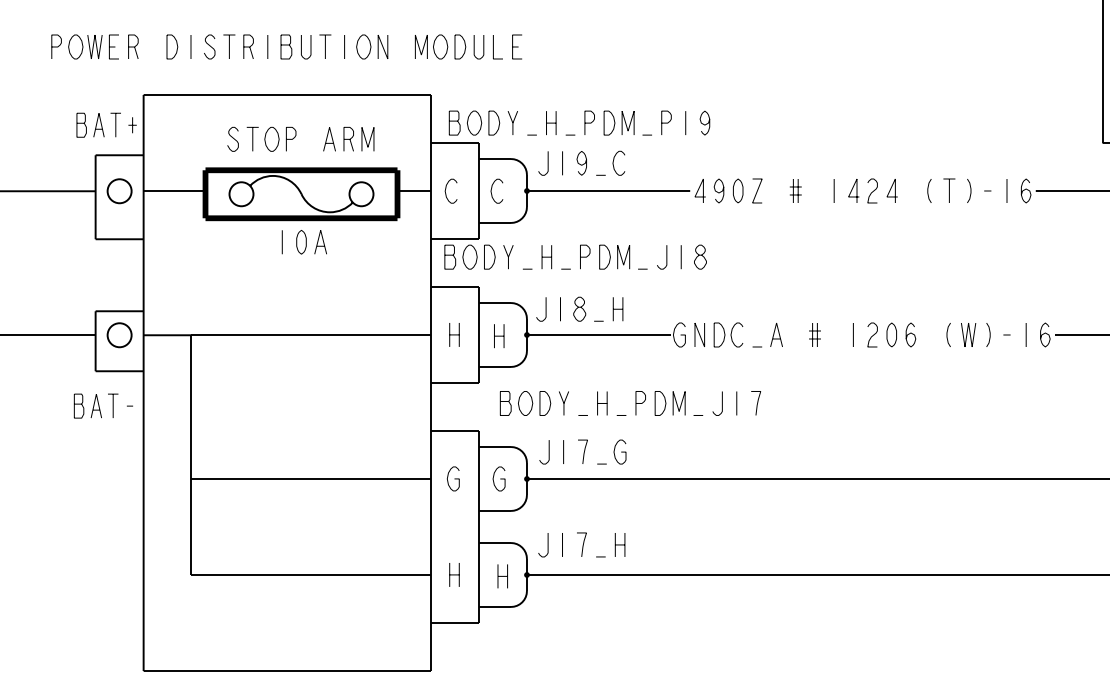
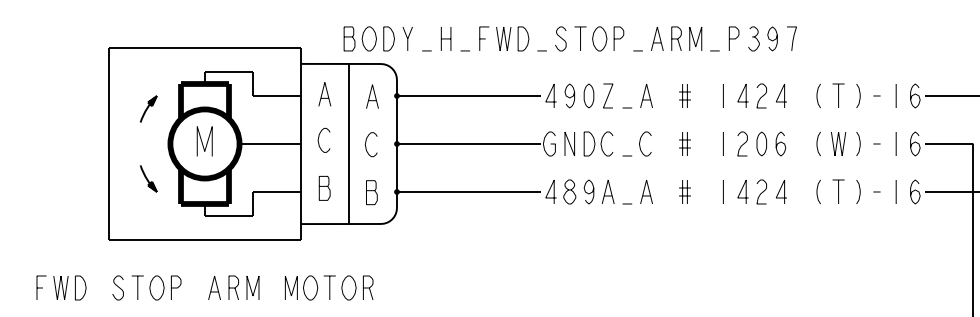
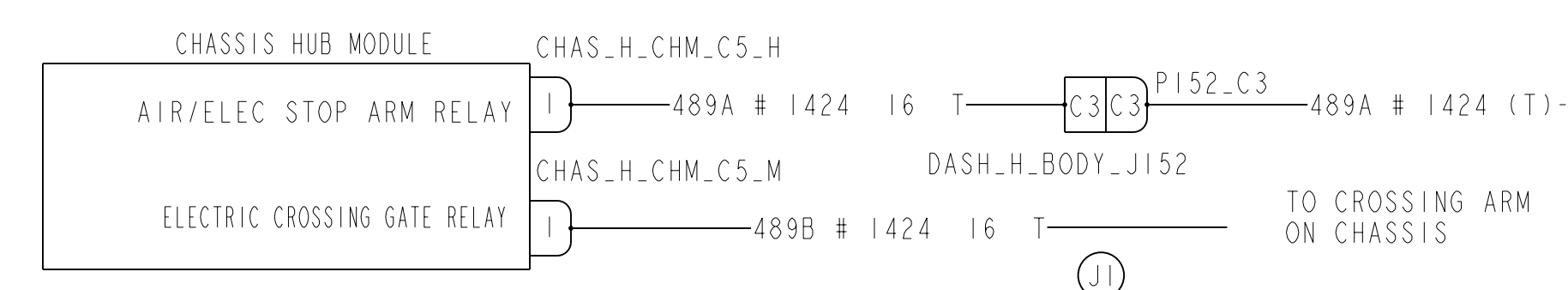


TO SWITCH BANK
(SEE THE SOFTWARE OPTION
DESCRIPTION FOR FUNCTIONALITY.)



J 1) RELOCATED X-ARM FEED (489B) ON J2_J 2) ADDED CHASSIS INFO FOR C5.M		DRN	6/20/03	GSH	MATERIAL: SEE NOTE #1	0
THOMAS BUILT BUSES, INC. HIGH POINT, NC TOLERANCE UNLESS OTHERWISE NOTED						
THIRD ANGLE PROJECTION	DECIMAL ± .015 XXX .015 XX .1 X .1	FRACTIONAL ± 1/32	ANGULAR ± 1°	ENGR/DESIGNER	GSH	DATE
WIRING SCHEMATIC, WARNING LIGHTS, RED AND AMBER, AND STOP SIGNS, C2				SIZE	DWG. NO.	SHEET 1 OF 1
DRAWING SCALE				D	103996	

THIS DRAWING AND ALL INFORMATION PROVIDED WITH IT, IS THE PROPERTY OF THOMAS BUILT BUSES, INC. ANY REPRODUCTION OR DISTRIBUTION OF THIS MATERIAL OR ANY PART WITHOUT WRITTEN PERMISSION OF THOMAS BUILT BUSES, INC. IS STRICTLY PROHIBITED. COPYRIGHT © 1997 THOMAS BUILT BUSES, INC.