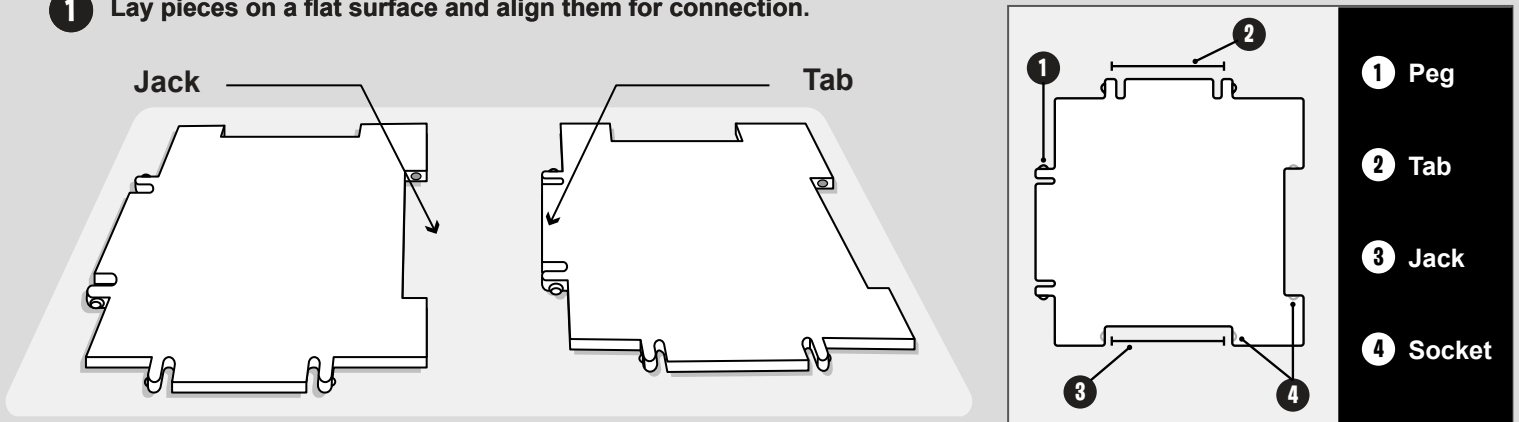


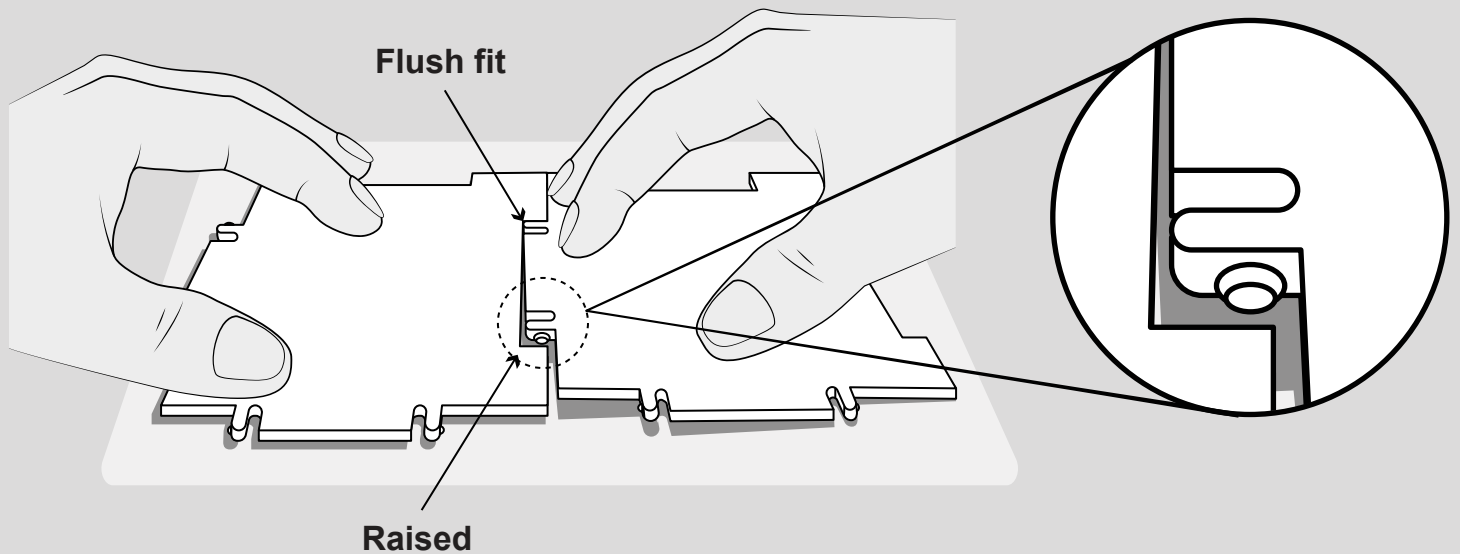
# FORTNITE

## Building Tips & Tricks

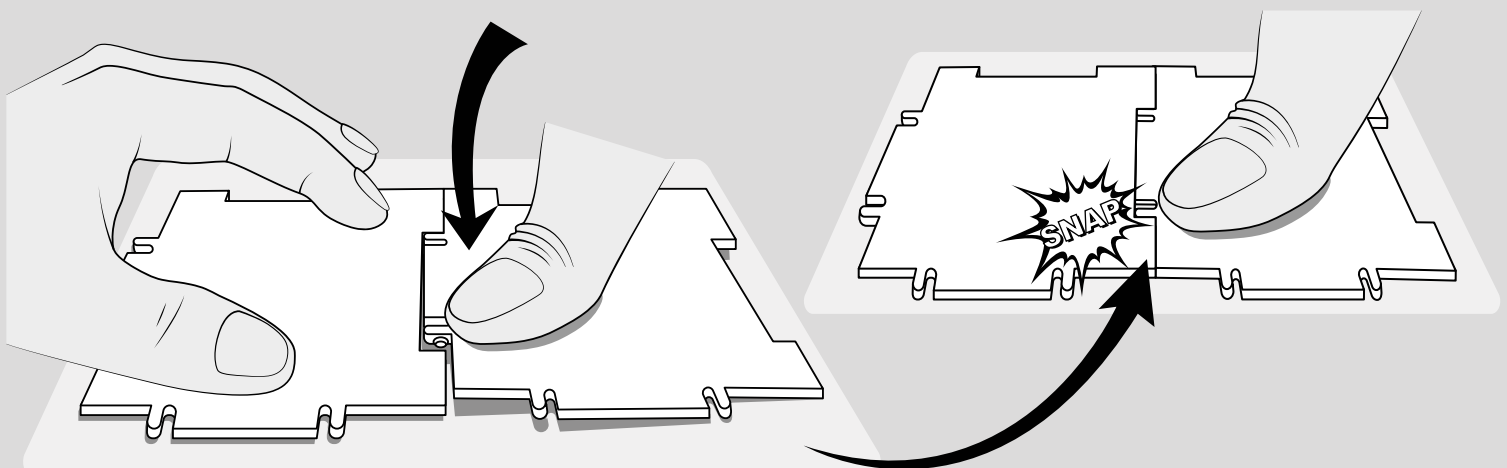
- 1** Lay pieces on a flat surface and align them for connection.



- 2** Place the pieces so that one peg sits inside the corresponding socket. The other side will be slightly raised.



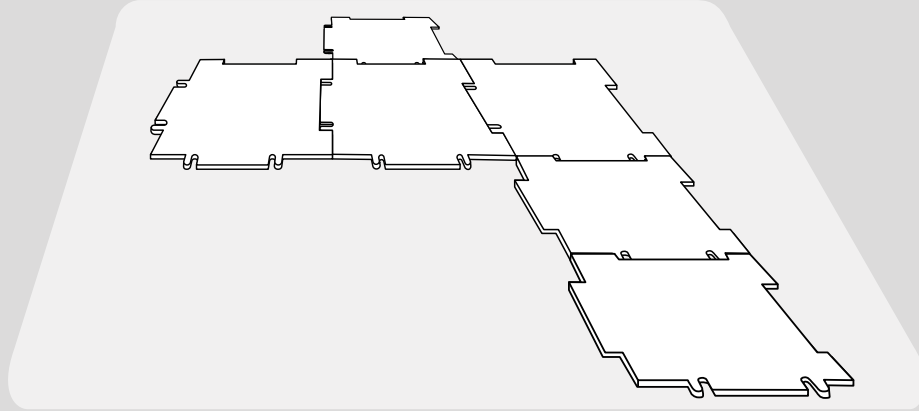
- 3** Place your thumb on the raised side of the tab and firmly apply pressure to snap into place.



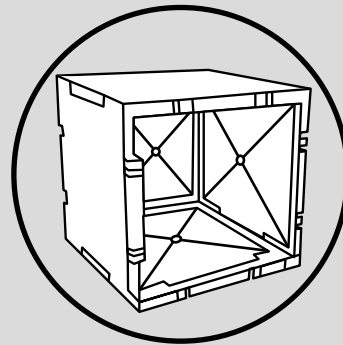
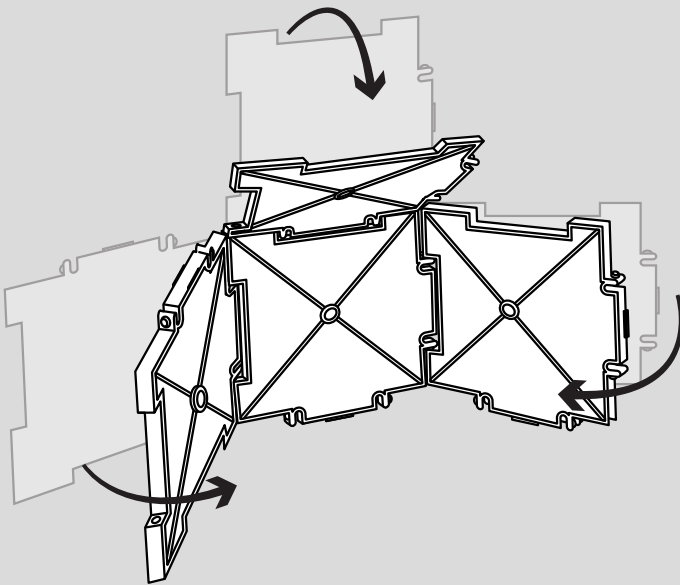
# FORTNITE

## Building Tips & Tricks

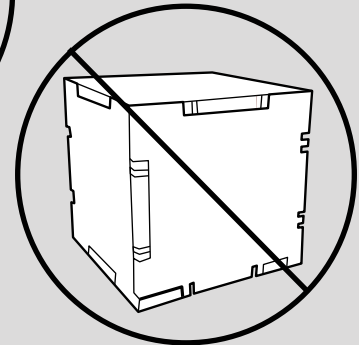
**4** Repeat steps 1-3 to create different configurations.



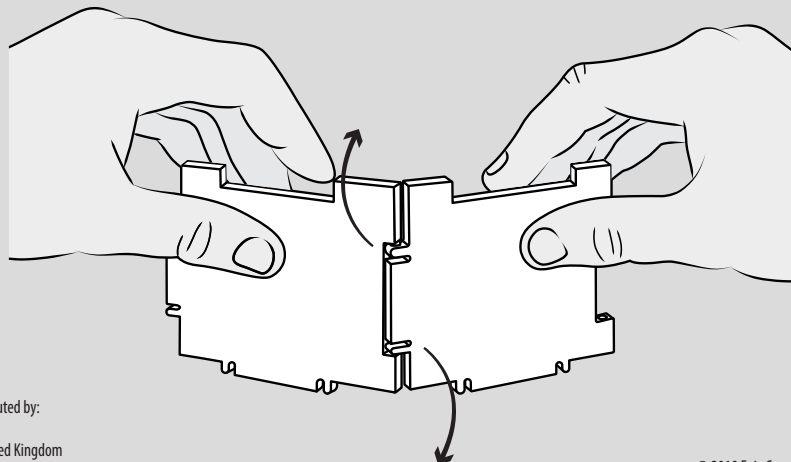
**5** Hinge at connection points to create 3D structures.



**TIP:** Always keep at least one side open on all 3D structures to ensure pieces can be removed.



**6** To disassemble, hold pieces and twist gently to release. To prevent broken nails or minor injury do not use fingernails to pull pieces apart.



Used with permission. Manufactured and Distributed by:  
Jazwares, LLC. Sunrise, FL, 33326, USA  
Jazwares, 16A Crane Grove, London, N7 8LE, United Kingdom  
Jazwares GmbH, Mina-Rees-Str. 8, 64295 Darmstadt, Germany  
[www.jazwares.com](http://www.jazwares.com) / [www.jazwares.de](http://www.jazwares.de)

© 2019 Epic Games, Inc. Fortnite and its logo are registered trademarks of Epic Games, Inc. in the USA (Reg. U.S. Pat. & Tm. Off.) and elsewhere. All rights reserved.