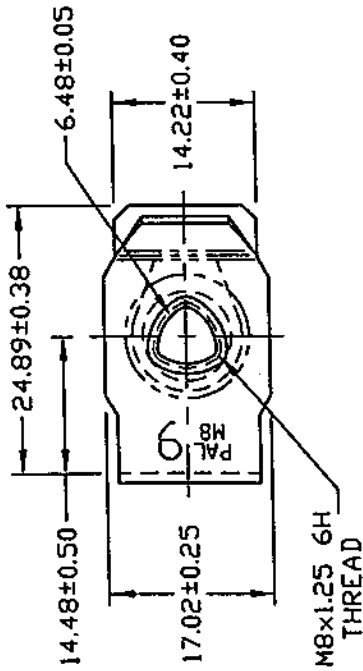
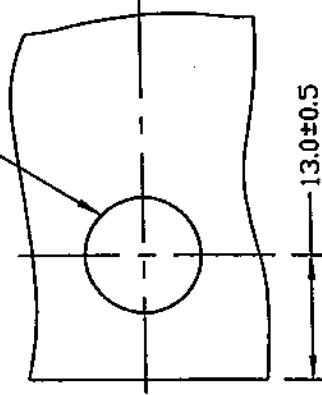


DWG

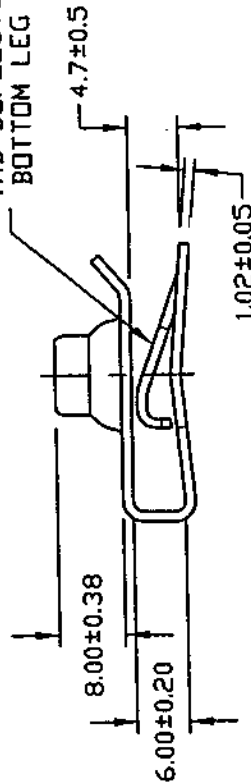
LPGS085725



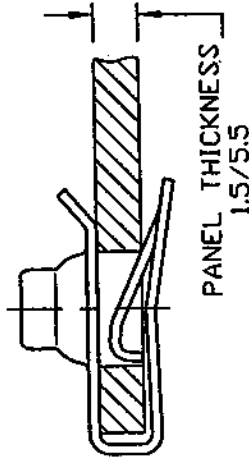
PANEL HOLE  
11.70±0.38φ



TAB DEFLECTS INTO  
BOTTOM LEG HOLE



ASSEMBLY



UNCONTROLLED

MAY 1 0 2002

Controlled copy must be in Red

DATE	REV	DESCRIPTION	BY
4/12/02	C	ECO207: 6.00±0.20 WAS 5.70±0.50	CNC
7/16/01	B	THREAD CALL OUT CORRECTION H8x1.25 WAS M8x1.0	CNC
5/3/01	A	ECO207: THREAD PROPERTY DESIGNATION ADDED TO PARTS LPGS080025 & 085725 AND DRAWINGS ISOLATED FROM 'LPGS-METRIC' DWG	CNC

PAL ④ PALNUT ④ DIN SERT ④ - PUSHNUT ④

TITLE

TINNERMAN PALNUT  
ENGINEERED PRODUCTS, LLC  
MOUNTAINSIDE, NEW JERSEY

PALNUT, MULTI-THREAD NUTS,  
'U' TYPE, SHORT CLIP  
STYLE WITH PREVAILING TORQUE

DRAWN	C.F.	RELEASED	SCALE
DATE	3/2/78	PART No: LPGS085725	NONE
CHECKED	<i>W. J. B. 1202</i>	DWG No.	
APPROVED	<i>W. J. B. 4-16-02</i>		

MATERIAL:  
SPRING STEEL - SAE1050

HARDNESS: 30N 61.5 - 68.5

LPGS085725