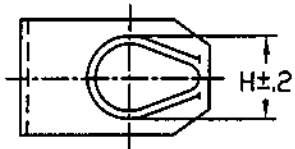
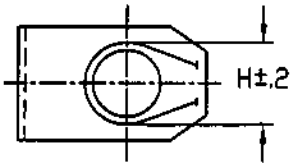


DWG

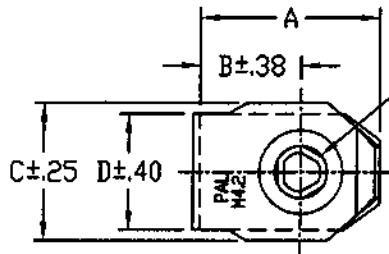
LPGS 4mm SERIES



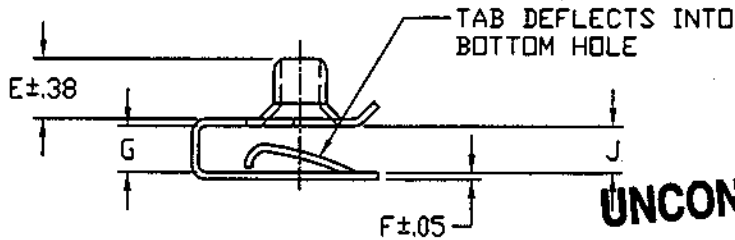
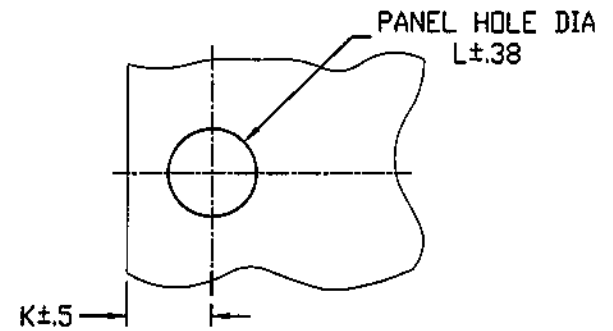
DESIGN 2



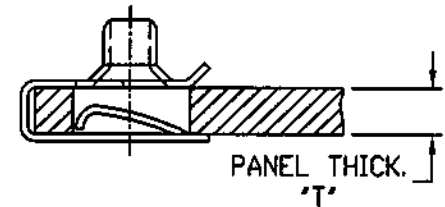
DESIGN 1



THREAD-(PRIOR TO UPSET)
 MAJOR DIA. 4.200 +.051 -.051
 MINOR DIA. 3.099 +.015 -.000
 PITCH 1.410 +.005 -.005



UNCONTROLLED
 NOV 25 2002



ASSEMBLY

| PART NO. | SCREW SIZE | A | B | C | D | E | F | G | H | J | DESIGN | PANEL | | |
|------------|------------|--------------------------------------|-------|------|------|-----|-----|-----------|-----|-----------|--------|-------|-----|---------|
| | | | | | | | | | | | | L | K | T |
| LPGS420015 | 4.2x1.41 | 16.3 ±.38 | 9.14 | 12.5 | 10.5 | 5.6 | .65 | 4.25 ±.25 | 7.5 | 2.4±0.65 | 2 | 7.93 | 7.6 | 1.7-3.8 |
| LPGS420016 | 4.2x1.41 | 17.3 ±.38 | 10.15 | 12.5 | 10.5 | 5.6 | .65 | 2.35 ±.25 | 7.5 | 0.76±0.50 | 2 | 7.93 | 7.6 | .5-2.0 |
| LPGS420017 | 4.2x1.41 | 16.9 ^{+.38} _{-.00} | 9.60 | 12.5 | 10.5 | 5.6 | .65 | 3.35 ±.15 | 7.5 | 2.5±0.65 | 2 | 7.93 | 7.6 | 2.0-3.0 |

| DATE | REV | DESCRIPTION | BY |
|----------|-----|--|------|
| 10/31/02 | P | ADDED 'J' DIM. PER ECO #303 | BAD |
| 4/6/01 | N | ECO#202: LPGS420017/'G': 3.35±.15 WAS 3.35±.25 | CNC |
| 8/11/00 | M | REDRAWN TO AUTOCAD 2000 | MS |
| 8/27/97 | L | 16.9 WAS 17.4 PER EC #1671 | BAD |
| 3/25/97 | K | 'G' TOL. WAS ±.15, 'B' TOL. WAS ±.25 ECR #1621 | DMF |
| 5/23/96 | J | ROCKWELL WAS 30N 61.5-68.5 | CMB |
| 5/13/93 | I | 1.7 WAS .65 AS PER ECN #1139 | DMF |
| 2/10/93 | H | CHAMFER 40° WAS 30° PER EC. #1117 | RM |
| 3/9/92 | G | .40 WAS .25 | V.S. |
| 12/4/91 | F | 17.4 WAS 16.4 | V.S. |
| 7/8/91 | E | ADDED NOTE ON THREAD SIZE | BAD |
| 8/17/90 | D | CHANGED PART LEG TO FLAT | TB |
| 5/9/90 | C | REDRAWN TO CAD SYSTEM | RM |
| 1/25/90 | B | CHANGE H FROM 7.0 TO 7.5 | JL |
| 1/24/89 | A | ADDED DESIGN 2 | JL |

TINNERMAN PALNUT
 ENGINEERED PRODUCTS, LLC
 MOUNTAINSIDE, NJ

MATERIAL:
 AISI #1050

HARDNESS: ROCKWELL 30N 60-70

Controlled copy must be in Red

| | | |
|---|-------------------------|---------------|
| PAL® PALNUT® ON SERT® PUSHNUT® | | |
| TITLE PALNUT, MULTI-THREAD NUTS, 'U' TYPE PREVAILING TORQUE SHORT CLIP STYLE, 4mm SERIES | | |
| DRAWN: DH | RELEASED | SCALE NONE |
| DATE: 10/5/88 | PART No: | DWG No. |
| CHECKED: <i>DMF</i> | APPROVED: <i>DMF</i> | |
| LPGS 4mm SERIES | | |