

DESIGN No. 1

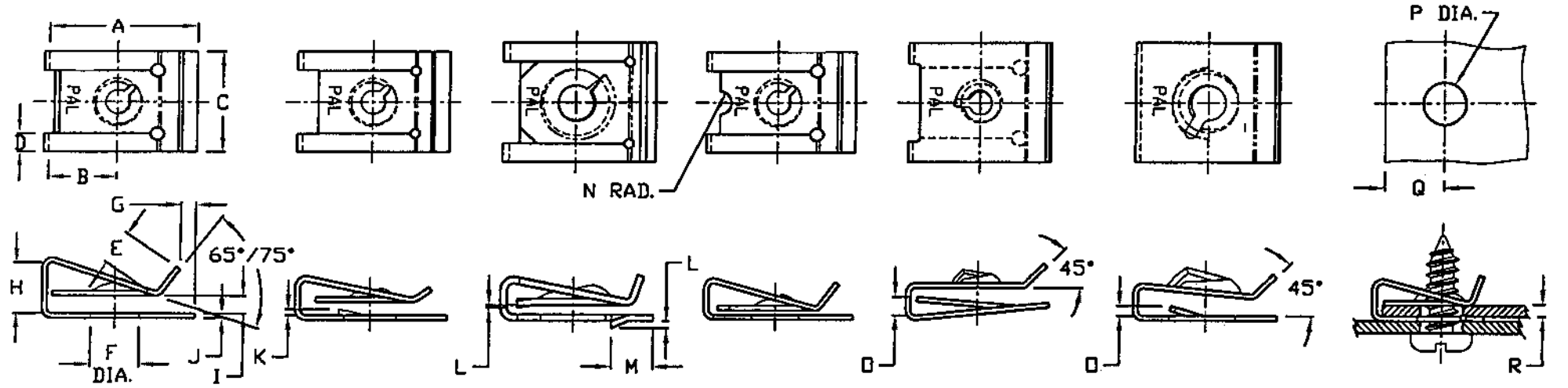
DESIGN No. 2

DESIGN No. 3

DESIGN No. 4

DESIGN No. 5

DESIGN No. 6



NOTES:
 * INDICATES MINIMUM DIMENSION.
 # INDICATES MAXIMUM DIMENSION.

ALL DIMENSIONS IN mm., ENGLISH EQUIVALENTS IN ()

THREAD SIZE	PALNUT PART NO.	DESIGN NO.	A LEG LENGTH	B THROAT DEPTH	C NUT WIDTH	D LEG WIDTH	E LIP HEIGHT	F DIAMETER IN BLANK	G OFFSET	H HEIGHT	I THROAT OPENING	J STOCK THICKNESS	K TOOTH HEIGHT	L BARB HEIGHT	M BARB DISTANCE	N NOTCH RAD.	O TAB HEIGHT	RECOMMENDED INSTALLATION				
																		P DIA.	Q DIST.	R RANGE	TORQUE MAXIMUM	
M4.2x1.4I(8B-18)	US420018	5	18.20/17.90	9.14/8.64	16.40/15.60	2.00 *	2.40 #	5.31/5.05	—	3.90/3.60	2.80/1.80	0.73/0.55	—	—	—	—	2.70/2.40	8.00 *	8.64 #	3.60/3.10	2.20	1.78
M4.2x1.4I(8B-18)	US818249	2	19.68/19.18	9.91/8.90	14.00/13.21	2.00 *	—	7.00/6.70	—	4.95/4.19	1.27/0.25	0.72/0.64	1.02/0.51	—	—	—	—	8.00 *	8.00 #	1.90/0.64	2.20	1.78
M4.2x1.4I(8B-18)	US818035	2	19.68/19.18	9.91/8.90	14.00/13.21	2.00 *	—	7.00/6.70	—	4.95/4.19	2.29/1.27	0.72/0.64	1.02/0.51	—	—	—	—	8.00 *	8.00 #	3.80/1.78	2.20	1.78
M4.2x1.4I(8B-18)	US420519	1	19.90/18.70	9.14/8.64	14.00/13.20	2.00 *	5.10/4.00	6.90/5.80	2.40 #	4.80/3.80	0.60 #	0.76/0.58	—	—	—	—	—	6.98 *	8.64 #	3.80/0.65	2.20	1.78
M4.2x1.4I(8B-18)	US420619	1	19.90/18.70	9.14/8.64	14.00/13.20	2.00 *	5.10/4.00	6.90/5.80	2.40 #	7.10/6.60	3.10/2.00	0.76/0.58	—	—	—	—	—	6.85 *	8.10 #	6.35/3.20	2.20	1.78
M4.2x1.4I(8B-18)	US420419	4	19.90/18.70	9.14/8.64	14.00/13.20	2.00 *	5.10/4.00	6.90/5.80	2.40 #	4.80/3.80	0.60 #	0.76/0.58	—	—	—	1.50	—	6.98 *	8.64 #	3.80/0.65	2.20	1.78
M4.2x1.4I(8B-18)	US420020	1	19.94/19.18	9.27/8.51	14.00/13.20	2.00 *	5.10/4.00	6.90/5.80	2.40 #	4.57/4.06	1.50/0.80	0.69/0.61	—	—	—	—	—	5.58 *	7.62 #	3.80/1.52	2.20	1.78
M6.3x1.8I(11/4-14)	UG630019	3	19.90/18.70	9.14/8.64	16.50/15.70	2.00 *	5.10/4.00	9.20/8.10	2.40 #	4.80/3.80	0.60 #	0.99/0.84	—	1.00/0.80	6.10/5.10	—	—	9.47 *	8.60 #	3.80/0.65	7.00	3.34
M6.3x1.8I(11/4-14)	US254020	1	19.94/19.18	9.27/8.51	16.51/15.75	2.00 *	5.10/4.00	9.14/8.13	2.40 #	7.10/6.60	3.05/2.00	0.94/0.84	—	—	—	—	—	7.10 *	8.10 #	6.35/3.20	7.00	3.34
M4.2x1.4I(8B-18)	US420014	6	13.20/12.60	9.10/8.30	9.60/9.00	—	—	5.31/5.05	—	3.60/3.00	2.55/1.95	0.65/0.55	—	—	—	—	1.90/1.70	5.80 *	7.2 #	3.00/2.25	2.25	—

DATE	REV	DESCRIPTION	BY
9/6/00	D	REDRAWN TO AUTOCAD 2000	NS
7/30/93	C	ADDED PART NO. US420014	CMB
8/3/90	B	PART#US254020 3.05/2.00 WAS 3.05/12.00	TB
8/17/89	A	UG630019 WAS US630019; US/UG WAS US	NM

TINNERMAN PALNUT
ENGINEERED PRODUCTS, LLC

MATERIAL:
SPRING STEEL-SAE1050

HARDNESS: ROCKWELL 30N 60-70

PAL[®] PALNUT[®] ON SERT[®] PUSHNUT[®]

TITLE
PALNUT PANEL NUT
STAMPED "U" TYPE
SINGLE THREAD
STYLE US

DRAWN: DMF RELEASED: SCALE: NONE

DATE: 11/1/90 PART No: US/UG SERIES

CHECKED: *LDG* 10/16/00 DWG No. **US/UG**

APPROVED: *LDG* 10/17/00