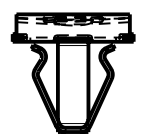


DATE	ECO	REVISIONS
(A) 6-11-88	163501	DIMENSIONS REVISED; PERFORMANCE SPECS & HOLE LAYOUT ADDED.
(B) 12-21-88	163614	2.15/1.85 WAS 2.25/1.75.
(C) 12-5-88		FIRST PROD. RELEASED, PROD. APPROVED.
(D) 5-25-89	163713	FINISH ROCKWELL WAS 44-46C
(E) 3-20-90	163961	MAJOR DIMENSION DESIGNATIONS (*) ADDED.
(F) 2-12-98	400160	10.85/10.10 DESIGNATED SPC DIMENSION (\$).
(G) 12-16-98	400971	"LIMITED" WAS REMOVED.
(H) 3-28-00	401513	REACTIVATED PART.
(J) 6-20-01	401985	ADDED 26.46 LBS & 17.64-33.07 LBS TO PERFORMANCE SPECIFICATION & RECREATED ON PRO/E.

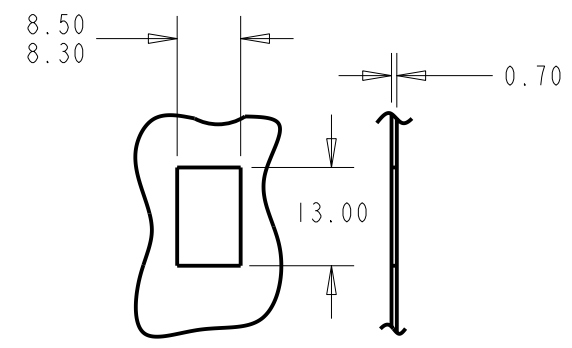
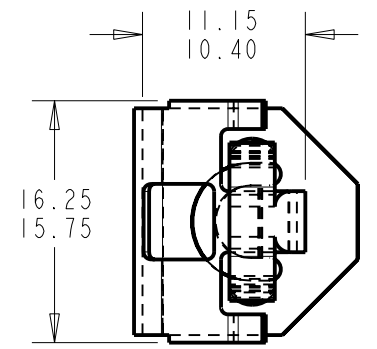
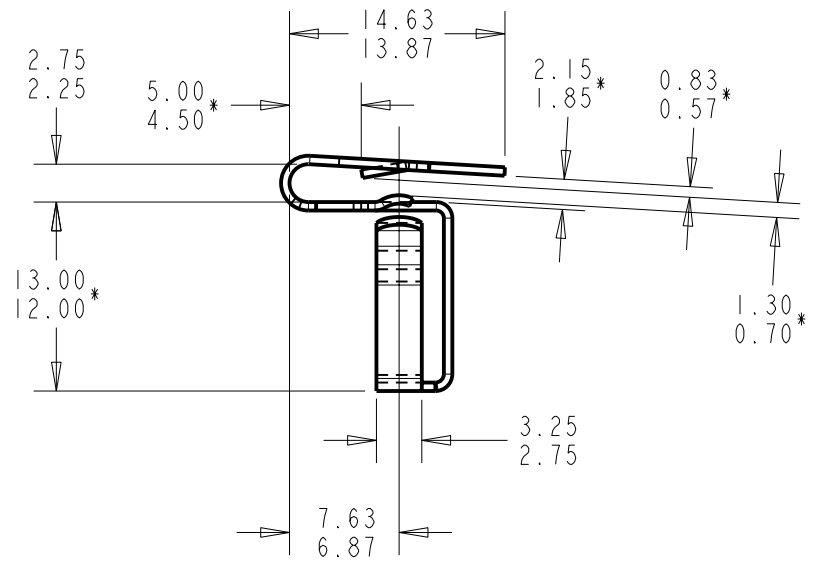
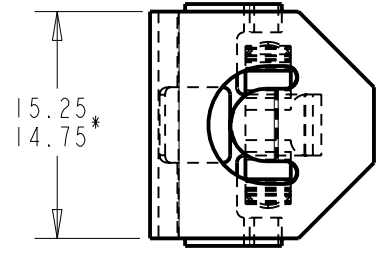
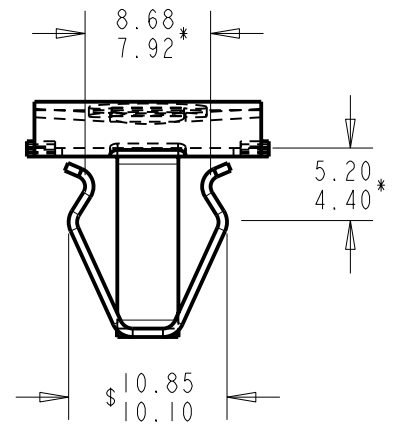
C57800-071M

C57800-071M

C



SCALE 1.000



PANEL HOLE SCALE 1:1

PERFORMANCE SPECIFICATIONS:
 1. INSERTION FORCE 12.00 KG. (26.46 LBS) MAX.
 2. REMOVAL FORCE 8.00-15.00 KG. (17.64-33.07 LBS)

NOTE:
 1. "T" IDENTIFICATION STAMP TO APPEAR ON PART
 2. UNLESS OTHERWISE SPECIFIED, ALL DIMENSIONS IN MILLIMETERS

CLASSIFICATION OF DIMENSIONS	THIRD ANGLE PROJECTION	APPROVED JD							
	<table border="1"> <tr> <td>* DENOTES SETUP DIMENSIONS</td> <td>RELEASED 12-1-87</td> <td>I ST.PROD. 12-5-88</td> </tr> <tr> <td>ALL OTHERS-MINOR DIMENSIONS</td> <td colspan="2">C57800-071M</td> </tr> <tr> <td colspan="3">SPEED CLIP- SPECIAL SHAPE</td> </tr> </table>		* DENOTES SETUP DIMENSIONS	RELEASED 12-1-87	I ST.PROD. 12-5-88	ALL OTHERS-MINOR DIMENSIONS	C57800-071M		SPEED CLIP- SPECIAL SHAPE
* DENOTES SETUP DIMENSIONS	RELEASED 12-1-87	I ST.PROD. 12-5-88							
ALL OTHERS-MINOR DIMENSIONS	C57800-071M								
SPEED CLIP- SPECIAL SHAPE									
<p>"NOTICE TO PERSONS RECEIVING THIS DRAWING AND/OR TECHNICAL INFORMATION" TINNERMAN PALNUT ENGINEERED PRODUCTS CLAIMS PROPRIETARY RIGHTS TO THE MATERIAL DISCLOSED HEREON. THIS DRAWING AND/OR TECHNICAL INFORMATION IS ISSUED IN CONFIDENCE FOR ENGINEERING INFORMATION ONLY AND MAY NOT BE REPRODUCED OR USED TO MANUFACTURE ANYTHING SHOWN OR REFERRED TO HEREON WITHOUT DIRECT WRITTEN PERMISSION FROM TINNERMAN PALNUT ENGINEERED PRODUCTS TO THE USER. THIS DRAWING AND/OR TECHNICAL INFORMATION IS THE PROPERTY OF TINNERMAN PALNUT ENGINEERED PRODUCTS AND IS LOANED FOR MUTUAL ASSISTANCE TO BE RETURNED WHEN ITS PURPOSE HAS BEEN SERVED. THIS DRAWING AND/OR TECHNICAL INFORMATION IS THE PROPERTY OF TINNERMAN PALNUT ENGINEERED PRODUCTS.</p>									
MATERIAL	SCALE 2:1	DATE 11-19-87							
SAE 1050-1065 STEEL	CLASS OF FIT	FINISH ROCK. 38-46 Rc							
THICKNESS 0.71mm (.028)	HEAT TREAT	AUSTEMPER							
SPECIAL FEATURES									

TINNERMAN PALNUT
 ENGINEERED PRODUCTS, LLC
 MASSILLON PLANT 240-6th ST. N.W.
 MASSILLON, OHIO 44647