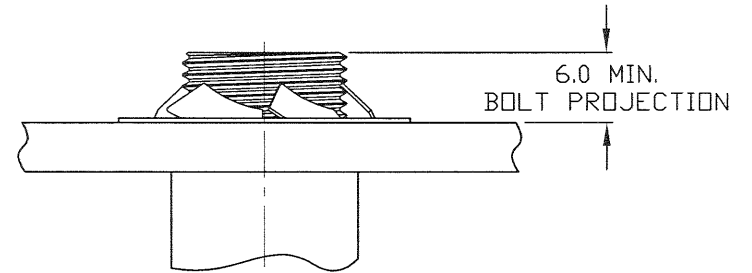
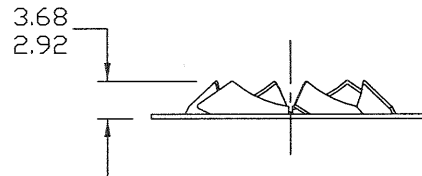
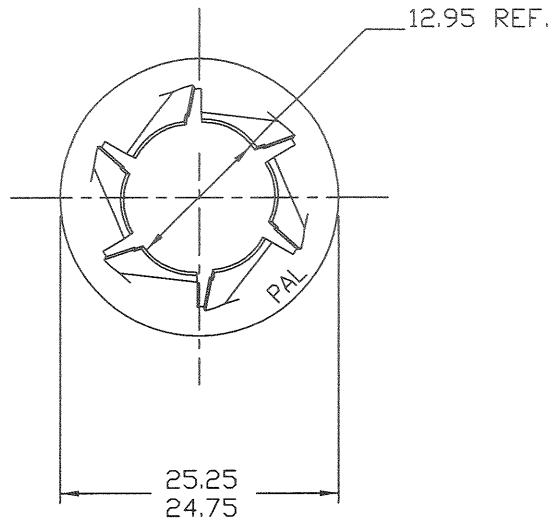


DWG

PT140025



NOTES:

- 1) PERFORMANCE:  
 MAX PUSH ON FORCE = 111.2 N  
 MIN HOLDING STRENGTH= 1335.0 N
- 2) PARTS TO HOLD THREADED BOLT IN PLACE IN A SUB-ASSEMBLY AS A TEMPORARY FASTENER UNTIL FINAL ASSEMBLY.


Controlled copy must be in Red

**TINNERMAN PALNUT**  
 ENGINEERED PRODUCTS, INC  
 MOUNTAINSIDE, NJ

MATERIAL: .38±.02 THK. SAE 1050  
 CARBON SPRING STEEL

HARDNESS: ROCKWELL 30N 58-68

PAL® PALNUT® ON SERT® PUSHNUT®

TITLE  
 PUSHNUT FASTENER  
 ROUND FLAT TYPE  
 STYLE PT BOLT RETAINER  
 14mm X 25mm SIZE

DR.BY: BAD	RELEASED	SCALE NONE
DATE 9/8/93	PART PT 140025	

CHECKED *WJ* DWG PT140025  
 APPROVED *WJ*

DATE	REV	DESCRIPTION	BY
12/06/07	C	NOTE 2 WAS ADDED	NR
11/18/02	B	ECD#310: ADDED PERFORMANCE NOTE(1), 12.95 REF. WAS 13.15 / 12.75	B.A.
6/3/95	A	13.15/12.75 WAS 12.85/12.55 PER EC#971	BAD