

AM	5/25/95	165629	-833 NAVY BLUE, COLOR CONCENTRATE ADDED TO COLOR CHART.
AN	1/10/96		ADDED -435 TO TABLE
AP	5/8/96	500103	REFORMATION OF COLORANT
AQ	3/19/97	400043	ADDED -818 TEAL TO COLOR CHART
AR	3/31/98	400540	REMOVE -809 BLUE, -810, -820 FROM CHART. ADDED -899 ORANGE TO CHART.
AS	8/20/98	400756	ADDED -809 BRIGHT YELLOW TO COLOR CHART.
AT	2/17/99	401010	ADDED -857 CHARCOAL GRAY TO COLOR CHART
AU	01/26/00	401428	MODIFIED MATERIAL NOTE
AV	12/18/00	401807	ADDED -841 BRIGHT PEACH TO COLOR CHART
AW	9/09/04	199	REVISED PART C60252- PER NEW MOLD
AX	2/14/06	639	.323/.200 RECOMMENDED was .343/.200

C60008-

C60008-

FOR OTHER DASH NUMBERS WHICH INDICATE SPECIAL COLORS & TYPE OF SPECIAL COLORS BASED ON MINIMUM RELEASED QUANTITIES, CONSULT THE TINNERMAN PLANT ENGINEERING DEPT.

TYPICAL PART NO. C60008-437-801
FIRST DASH NO. INDICATES SIUD SIZE
LAST DASH NO. INDICATES COLOR & TYPE OF COLOR OF CAP.

MATERIAL NOTE:
C60252AB-, HIGH DENSITY POLYETHYLENE, ASTM TYPE III COLOR: NATURAL
C18235-, HIGH CARBON SPRING STEEL .014 THICK, HEAT TREATED FINISH: -600

LAST DASH NO.	COLOR & TYPE OF COLOR
-801	NATURAL COLOR
-802	WHITE DRY COLOR
-803	RED DRY COLOR
-804	MEDIUM BLUE DRY COLOR
-805	BLACK DRY COLOR
-806	SILVER DRY COLOR
-807	YELLOW DRY COLOR
-808	GREEN DRY COLOR
-815	PINK DRY COLOR
-819	DARK RED
-822	LIGHT BEIGE
-825	LIGHT YELLOW, COLOR CONCENTRATE
-836	CRANBERRY WITH "UV" ADDED
-837	MAGENTA COLOR CONCENTRATE
-857	CHARCOAL GRAY DRY COLOR
-881	SPORT RED WITH "UV" ADDED
-882	PICNIC TABLE ORANGE FOR LITTLE TIKES ONLY
-833	NAVY BLUE COLOR CONCENTRATE
-818	TEAL
-899	ORANGE DRY COLOR
-809	BRIGHT YELLOW COLOR CONCENTRATE
-841	BRIGHT PEACH COLOR CONCENTRATE

CLASSIFICATION OF DIMENSIONS	THIRD ANGLE PROJECTION	R.K. APPROVED	JHP								
	<table border="1"> <tr> <td>* DENOTES MAJOR DIMENSIONS</td> <td>ALL OTHERS-MINOR DIMENSIONS</td> </tr> </table>		* DENOTES MAJOR DIMENSIONS	ALL OTHERS-MINOR DIMENSIONS	<table border="1"> <tr> <td>BRK/REH</td> <td>CHECKED</td> <td>RELEASED</td> <td>I. ST. PROD.</td> </tr> <tr> <td></td> <td></td> <td>6/26/62</td> <td>11/2/62</td> </tr> </table>	BRK/REH	CHECKED	RELEASED	I. ST. PROD.		
* DENOTES MAJOR DIMENSIONS	ALL OTHERS-MINOR DIMENSIONS										
BRK/REH	CHECKED	RELEASED	I. ST. PROD.								
		6/26/62	11/2/62								
MATERIAL:		SCALE 3"=1"									
SEE MATERIAL NOTE		CLASS OF FIT FINISH ROCK.									
THICKNESS:		HEAT TREAT:									
PART NAME C60008-		SPEED NUT-PUSH ON CAP TYPE									

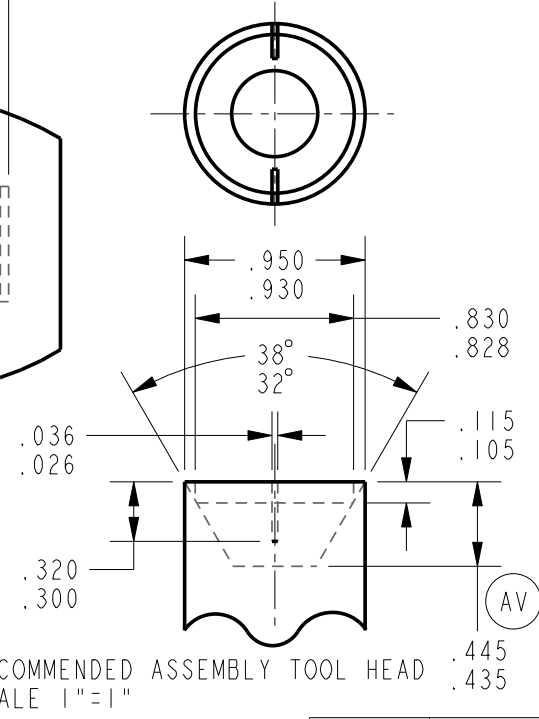
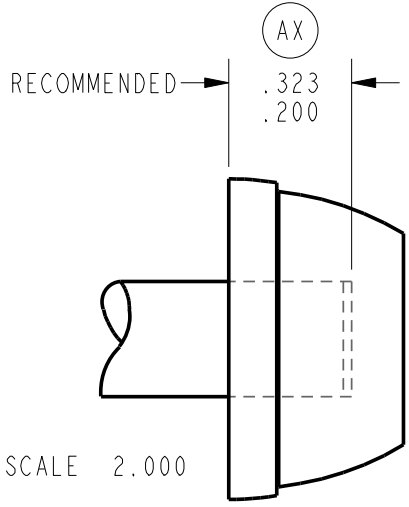
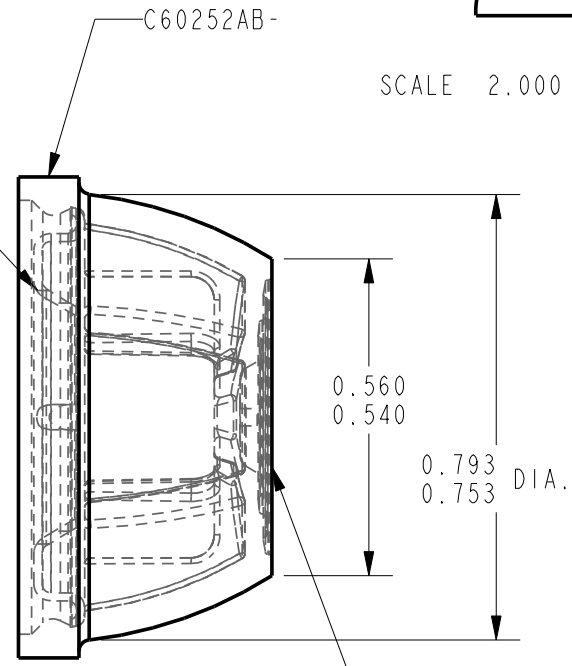
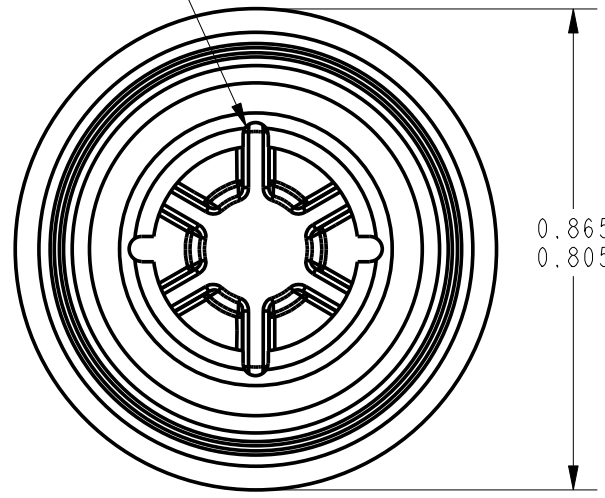
TINNERMAN PALNUT
ENGINEERED PRODUCTS, INC
1060 WEST 130 STREET
BRUNSWICK, OH 44212

TINNERMAN BRAND

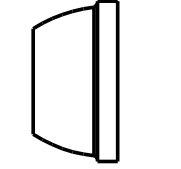
TINNERMAN PALNUT
ENGINEERED PRODUCTS, INC.

JANUARY 8 2002

4 SLOTS EQUALLY SPACED
(6 SLOTS ON -600M, -437 & -354)
(3 SLOTS ON -125 SIZE ONLY)



FIRST DASH NO.	STUD DIA.	TOLERANCE
-1000M	10.00mm (.394 IN.)	± 0.13mm
-600M	6.00mm (.236 IN.)	(±.005 IN.)
-437	.437	
-435	.435	
-375	.375	
-354	.354	
-312	.312	± .005 IN.
-296	.296	
-250	.250	
-218	.218	
-125	.125	



NOTE:
"T" & STUD DIA. IDENTIFICATION STAMPS TO APPEAR ON FACE OF C18235-

CONCENTRIC ANNULAR GROOVES EQUALLY SPACED

▷ NOT RELEASED