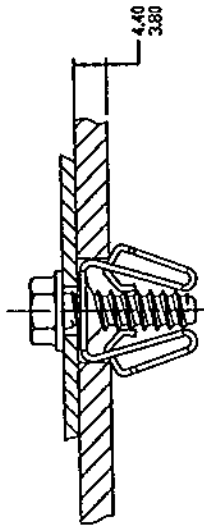
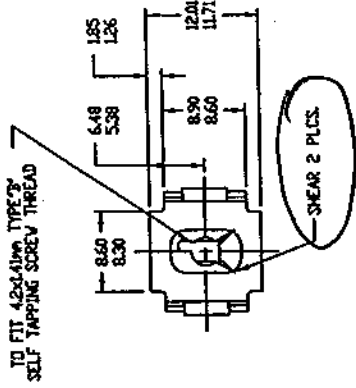
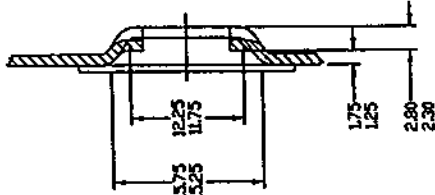
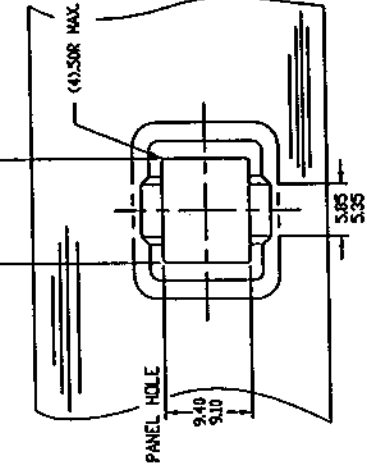
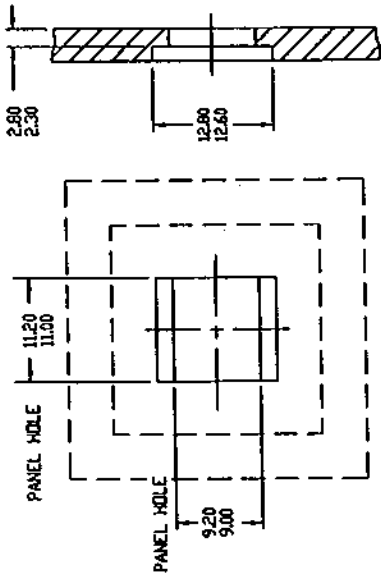
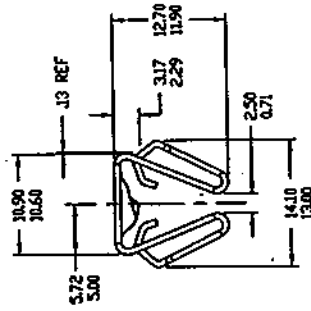


DWG IPPS429925



TYPICAL INSTALLATION FOR RECESSED APPLICATION IN PLASTIC



TYPICAL INSTALLATION FOR RECESSED APPLICATION IN STEEL

ALL DIMENSIONS IN MILLIMETERS

TINNERMAN PALNUT
ENGINEERED PRODUCTS, LLC

DATE	REV	DESCRIPTION	BY
4/1/94	1	CHANGE DIMENSION WAS 4.00X3.75	EN
5/2/94	2	CHANGE WAS 4.00X3.75 TO 4.40X3.80	EN
6/1/94	3	HARDNESS WAS ROCKWELL 50N 64-72	EN
6/1/94	4	HARDNESS WAS 68/58	EN
6/1/94	5	CONSISTENT DIMENSION FROM BEARING WAS 5.00	EN
6/1/94	6	EXTERNAL DIMENSION FROM BEARING WAS 5.00	EN
6/1/94	7	EXTERNAL DIMENSION FROM BEARING WAS 5.00	EN
6/1/94	8	EXTERNAL DIMENSION FROM BEARING WAS 5.00	EN
6/1/94	9	EXTERNAL DIMENSION FROM BEARING WAS 5.00	EN
6/1/94	10	EXTERNAL DIMENSION FROM BEARING WAS 5.00	EN
6/1/94	11	EXTERNAL DIMENSION FROM BEARING WAS 5.00	EN
6/1/94	12	EXTERNAL DIMENSION FROM BEARING WAS 5.00	EN
6/1/94	13	EXTERNAL DIMENSION FROM BEARING WAS 5.00	EN
6/1/94	14	EXTERNAL DIMENSION FROM BEARING WAS 5.00	EN
6/1/94	15	EXTERNAL DIMENSION FROM BEARING WAS 5.00	EN
6/1/94	16	EXTERNAL DIMENSION FROM BEARING WAS 5.00	EN
6/1/94	17	EXTERNAL DIMENSION FROM BEARING WAS 5.00	EN
6/1/94	18	EXTERNAL DIMENSION FROM BEARING WAS 5.00	EN
6/1/94	19	EXTERNAL DIMENSION FROM BEARING WAS 5.00	EN
6/1/94	20	EXTERNAL DIMENSION FROM BEARING WAS 5.00	EN
6/1/94	21	EXTERNAL DIMENSION FROM BEARING WAS 5.00	EN
6/1/94	22	EXTERNAL DIMENSION FROM BEARING WAS 5.00	EN
6/1/94	23	EXTERNAL DIMENSION FROM BEARING WAS 5.00	EN
6/1/94	24	EXTERNAL DIMENSION FROM BEARING WAS 5.00	EN
6/1/94	25	EXTERNAL DIMENSION FROM BEARING WAS 5.00	EN
6/1/94	26	EXTERNAL DIMENSION FROM BEARING WAS 5.00	EN
6/1/94	27	EXTERNAL DIMENSION FROM BEARING WAS 5.00	EN
6/1/94	28	EXTERNAL DIMENSION FROM BEARING WAS 5.00	EN
6/1/94	29	EXTERNAL DIMENSION FROM BEARING WAS 5.00	EN
6/1/94	30	EXTERNAL DIMENSION FROM BEARING WAS 5.00	EN
6/1/94	31	EXTERNAL DIMENSION FROM BEARING WAS 5.00	EN
6/1/94	32	EXTERNAL DIMENSION FROM BEARING WAS 5.00	EN
6/1/94	33	EXTERNAL DIMENSION FROM BEARING WAS 5.00	EN
6/1/94	34	EXTERNAL DIMENSION FROM BEARING WAS 5.00	EN
6/1/94	35	EXTERNAL DIMENSION FROM BEARING WAS 5.00	EN
6/1/94	36	EXTERNAL DIMENSION FROM BEARING WAS 5.00	EN
6/1/94	37	EXTERNAL DIMENSION FROM BEARING WAS 5.00	EN
6/1/94	38	EXTERNAL DIMENSION FROM BEARING WAS 5.00	EN
6/1/94	39	EXTERNAL DIMENSION FROM BEARING WAS 5.00	EN
6/1/94	40	EXTERNAL DIMENSION FROM BEARING WAS 5.00	EN
6/1/94	41	EXTERNAL DIMENSION FROM BEARING WAS 5.00	EN
6/1/94	42	EXTERNAL DIMENSION FROM BEARING WAS 5.00	EN
6/1/94	43	EXTERNAL DIMENSION FROM BEARING WAS 5.00	EN
6/1/94	44	EXTERNAL DIMENSION FROM BEARING WAS 5.00	EN
6/1/94	45	EXTERNAL DIMENSION FROM BEARING WAS 5.00	EN
6/1/94	46	EXTERNAL DIMENSION FROM BEARING WAS 5.00	EN
6/1/94	47	EXTERNAL DIMENSION FROM BEARING WAS 5.00	EN
6/1/94	48	EXTERNAL DIMENSION FROM BEARING WAS 5.00	EN
6/1/94	49	EXTERNAL DIMENSION FROM BEARING WAS 5.00	EN
6/1/94	50	EXTERNAL DIMENSION FROM BEARING WAS 5.00	EN
6/1/94	51	EXTERNAL DIMENSION FROM BEARING WAS 5.00	EN
6/1/94	52	EXTERNAL DIMENSION FROM BEARING WAS 5.00	EN
6/1/94	53	EXTERNAL DIMENSION FROM BEARING WAS 5.00	EN
6/1/94	54	EXTERNAL DIMENSION FROM BEARING WAS 5.00	EN
6/1/94	55	EXTERNAL DIMENSION FROM BEARING WAS 5.00	EN
6/1/94	56	EXTERNAL DIMENSION FROM BEARING WAS 5.00	EN
6/1/94	57	EXTERNAL DIMENSION FROM BEARING WAS 5.00	EN
6/1/94	58	EXTERNAL DIMENSION FROM BEARING WAS 5.00	EN
6/1/94	59	EXTERNAL DIMENSION FROM BEARING WAS 5.00	EN
6/1/94	60	EXTERNAL DIMENSION FROM BEARING WAS 5.00	EN
6/1/94	61	EXTERNAL DIMENSION FROM BEARING WAS 5.00	EN
6/1/94	62	EXTERNAL DIMENSION FROM BEARING WAS 5.00	EN
6/1/94	63	EXTERNAL DIMENSION FROM BEARING WAS 5.00	EN
6/1/94	64	EXTERNAL DIMENSION FROM BEARING WAS 5.00	EN
6/1/94	65	EXTERNAL DIMENSION FROM BEARING WAS 5.00	EN
6/1/94	66	EXTERNAL DIMENSION FROM BEARING WAS 5.00	EN
6/1/94	67	EXTERNAL DIMENSION FROM BEARING WAS 5.00	EN
6/1/94	68	EXTERNAL DIMENSION FROM BEARING WAS 5.00	EN
6/1/94	69	EXTERNAL DIMENSION FROM BEARING WAS 5.00	EN
6/1/94	70	EXTERNAL DIMENSION FROM BEARING WAS 5.00	EN
6/1/94	71	EXTERNAL DIMENSION FROM BEARING WAS 5.00	EN
6/1/94	72	EXTERNAL DIMENSION FROM BEARING WAS 5.00	EN
6/1/94	73	EXTERNAL DIMENSION FROM BEARING WAS 5.00	EN
6/1/94	74	EXTERNAL DIMENSION FROM BEARING WAS 5.00	EN
6/1/94	75	EXTERNAL DIMENSION FROM BEARING WAS 5.00	EN
6/1/94	76	EXTERNAL DIMENSION FROM BEARING WAS 5.00	EN
6/1/94	77	EXTERNAL DIMENSION FROM BEARING WAS 5.00	EN
6/1/94	78	EXTERNAL DIMENSION FROM BEARING WAS 5.00	EN
6/1/94	79	EXTERNAL DIMENSION FROM BEARING WAS 5.00	EN
6/1/94	80	EXTERNAL DIMENSION FROM BEARING WAS 5.00	EN
6/1/94	81	EXTERNAL DIMENSION FROM BEARING WAS 5.00	EN
6/1/94	82	EXTERNAL DIMENSION FROM BEARING WAS 5.00	EN
6/1/94	83	EXTERNAL DIMENSION FROM BEARING WAS 5.00	EN
6/1/94	84	EXTERNAL DIMENSION FROM BEARING WAS 5.00	EN
6/1/94	85	EXTERNAL DIMENSION FROM BEARING WAS 5.00	EN
6/1/94	86	EXTERNAL DIMENSION FROM BEARING WAS 5.00	EN
6/1/94	87	EXTERNAL DIMENSION FROM BEARING WAS 5.00	EN
6/1/94	88	EXTERNAL DIMENSION FROM BEARING WAS 5.00	EN
6/1/94	89	EXTERNAL DIMENSION FROM BEARING WAS 5.00	EN
6/1/94	90	EXTERNAL DIMENSION FROM BEARING WAS 5.00	EN
6/1/94	91	EXTERNAL DIMENSION FROM BEARING WAS 5.00	EN
6/1/94	92	EXTERNAL DIMENSION FROM BEARING WAS 5.00	EN
6/1/94	93	EXTERNAL DIMENSION FROM BEARING WAS 5.00	EN
6/1/94	94	EXTERNAL DIMENSION FROM BEARING WAS 5.00	EN
6/1/94	95	EXTERNAL DIMENSION FROM BEARING WAS 5.00	EN
6/1/94	96	EXTERNAL DIMENSION FROM BEARING WAS 5.00	EN
6/1/94	97	EXTERNAL DIMENSION FROM BEARING WAS 5.00	EN
6/1/94	98	EXTERNAL DIMENSION FROM BEARING WAS 5.00	EN
6/1/94	99	EXTERNAL DIMENSION FROM BEARING WAS 5.00	EN
6/1/94	100	EXTERNAL DIMENSION FROM BEARING WAS 5.00	EN

TINNERMAN PALNUT
ENGINEERED PRODUCTS, LLC

MATERIAL: 50 CARBON SPRING STEEL
.68/.58 THICKNESS

HARDNESS: ROCKWELL 50N 64-72

TOLERANCES: UNLESS SPECIFIED
IN
XX±.010

X±.25

PAL	PALNUT	ON	SCRT	PUSHNUT
TITLE				
PALNUT LOCKNUT INSERT TYPE, PREVALING TORQUE PANEL RETAINED STYLE 4.2 x 1.41 THREAD-9 x 11 x 2.54 PANEL				
DR:BY:	BAD	RELEASED	6/16/93	SCALE
DATE	6/17/93	PART	IPPS429925	NONE
CHECKED		DWG	IPPS429925	
APPROVED				

CONTROLLED
CONTROLLED