

DATE	ECO	REVISIONS
(H) 4-1-99	401075	ADDED 1.40mm MIN DIMENSION.
(J) 5-24-99	401131	ADDED "*" NOTE FOR MIN OPENING; ADDED "*" TO HELICAL IMP. NOTE; CLARIFIED INCH CALLOUT FOR GO/NO GO.
(K) 6-2-99	401151	ADDED "*" TO 1.40mm MIN.
(L) 8-5-01	402023	RECREATED ON PRO/E.

C71690-M63181

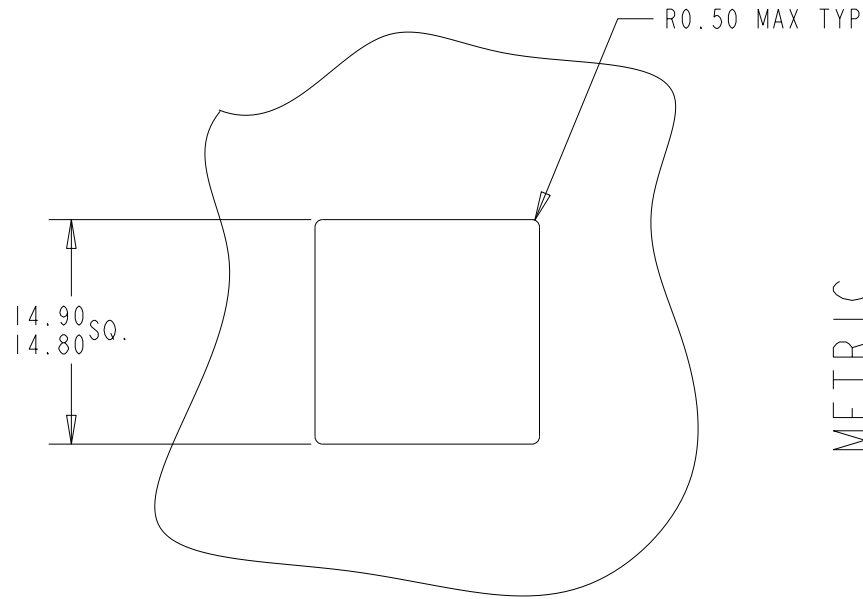
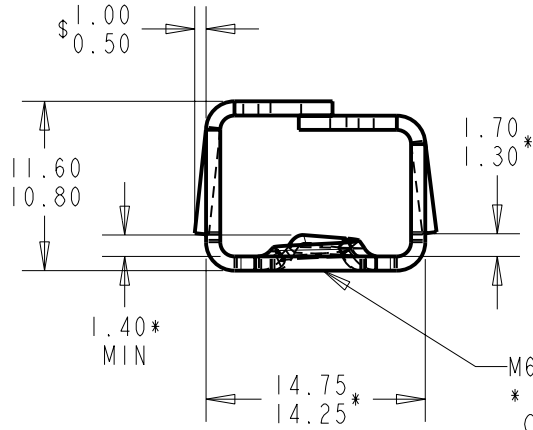
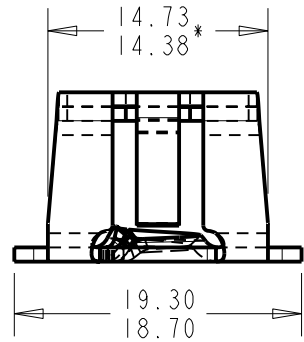
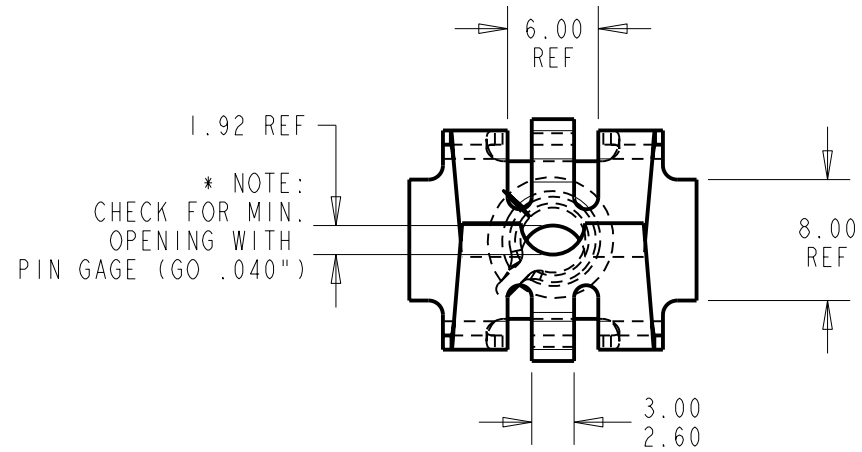
C71690-M63181

C

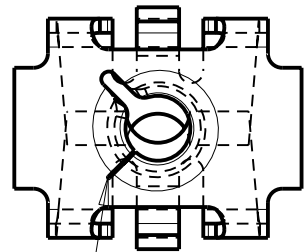
PERFORMANCE SPECIFICATIONS

MAX. INSTALLATION TORQUE= 6.0 Nm
 MIN. DESTRUCTION TORQUE= 9.0 Nm
 MIN. PREVAILING TORQUE - 1ST OFF= 0.11 Nm

MAXIMUM INSTALL
 PUSH-IN EFFORT: 67.0 N




1.20/0.90 PANEL THICKNESS
 SCALE 2:1



SHEARED IMPRESSION FOR PREVAILING TORQUE

M6.3 x 1.61 SHEARED IMPRESSION
 * NOTE:
 CHECK HELICAL IMPRESSION WITH
 A PIN GAGE (GO .184" - NO GO .189")

NOTES:
 "T" IDENTIFICATION
 STAMP TO APPEAR ON PART.
 UNLESS OTHERWISE SPECIFIED;
 ALL DIMENSIONS IN MILLIMETERS.

CLASSIFICATION OF DIMENSIONS		THIRD ANGLE PROJECTION	
*	DENOTES SETUP DIMENSIONS		
	ALL OTHERS-MINOR DIMENSIONS		
DRAWN R. HALL/TJS		CHECKED KAM	APPROVED F.F.
DATE 6-26-91		RELEASED 6-26-91	1 ST. PROD.
SCALE 2:1		SPECIAL FEATURES	
CLASS OF FIT		M6.3 x 1.81 TAPPING SCREW	
FINISH ROCK. 44-51 R		C71690-M63181	
MATERIAL SAE 1050-1065 STEEL		SPEED NUT - SPECIAL SHAPE	
THICKNESS 0.94mm (.037")		HEAT TREAT AUSTEMPER	

"NOTICE TO PERSONS RECEIVING THIS DRAWING AND/OR TECHNICAL INFORMATION"
 TINNERMAN PALNUT ENGINEERED PRODUCTS CLAIMS PROPRIETARY RIGHTS TO THE MATERIAL DISCLOSED HEREON. THIS DRAWING AND/OR TECHNICAL INFORMATION IS ISSUED IN CONFIDENCE FOR ENGINEERING INFORMATION ONLY AND MAY NOT BE REPRODUCED OR USED TO MANUFACTURE ANYTHING SHOWN OR REFERRED TO HEREON WITHOUT DIRECT WRITTEN PERMISSION FROM TINNERMAN PALNUT ENGINEERED PRODUCTS TO THE USER. THIS DRAWING AND/OR TECHNICAL INFORMATION IS THE PROPERTY OF TINNERMAN PALNUT ENGINEERED PRODUCTS AND IS LOANED FOR MUTUAL ASSISTANCE TO BE RETURNED WHEN ITS PURPOSE HAS BEEN SERVED. THIS DRAWING AND/OR TECHNICAL INFORMATION IS THE PROPERTY OF TINNERMAN PALNUT ENGINEERED PRODUCTS.

TINNERMAN PALNUT
 ENGINEERED PRODUCTS, LLC
 MASSILLON PLANT

TINNERMAN BRAND

TINNERMAN PALNUT
 ENGINEERED PRODUCTS, LLC
 MASSILLON PLANT 240-6th ST. N.W.
 MASSILLON, OHIO 44647