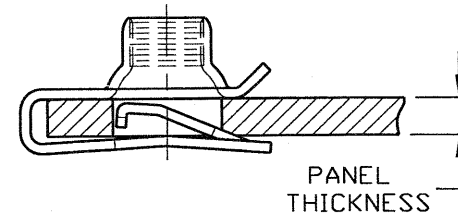
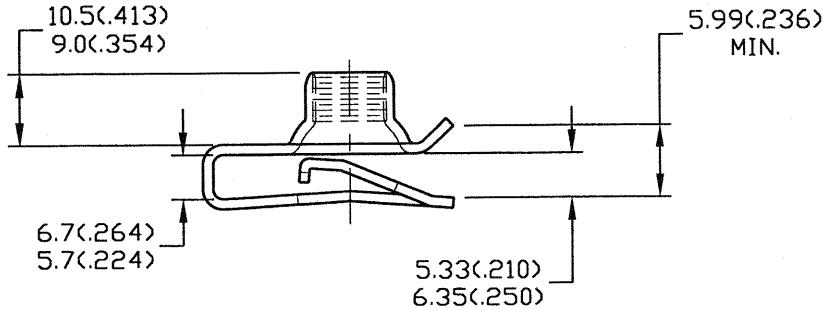
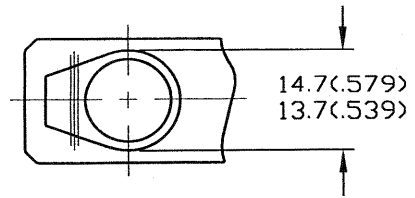
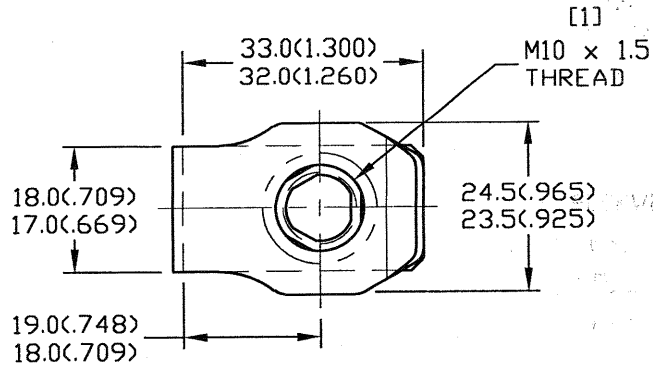


DWG

LPGS100033



NOTES:

- [1] 10.5 N.m (93 in-lb.) MAX FIRST ON
- 1.5 N.m (13 in-lb.) FIRST OFF
- 1.0 N.m (9 in-lb) FIFTH OFF

CONTROLLED

Controlled copy must be in red.

TINNERMAN PALNUT
ENGINEERED PRODUCTS, LLC
MOUNTAINSIDE, NJ

MATERIAL:
SPRING STEEL-1.40±.05-SAE1050

HARDNESS: ROCKWELL 'C' 43-49

TOLERANCES, UNLESS SPECIFIED:

mm	in
.X±.25	.XX±.010
.XX±.13	.XXX±.005

PAL® PALNUT® ON SERT® PUSHNUT®

TITLE
M10 x 1.5mm MULTI-THREAD
"U" NUT (SHORT) FOR 1.50-5.50
PANEL THICKNESS WITH
PREVAILING TORQUE

DRAWN: DMF	RELEASED	SCALE NONE
DATE: 5/4/93	PART No: LPGS100033	

CHECKED:	DWG No. LPGS100033
APPROVED: <i>B.A.</i>	

DATE	REV	DESCRIPTION	BY
1/27/04	C	CHANGED 4.42/4.93 TO 5.33/6.35 PER ECO #461	SA
10/31/02	B	ADDED 4.42/4.93 DIM. PER ECO #303	BAD
8/29/00	A	REDRAWN TO AUTOCAD 2000	MS