

DATE E.C.O. REVISIONS

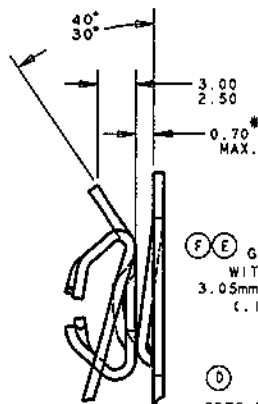
- (A) 6-26-91 TOOLS RELEASED.
- (B) 8-22-91 164384 MAJOR DIMENSION DESIGNATION (**) ADDED TO 9.14/8.64
- (C) 12-10-91 164502 PREVAILING TORQUE NOTE REMOVED, PREVAILING TORQUE REQUIREMENTS TABLE AND NOTE ADDED.
- (D) 5-11-93 185033 FREE FIT THRU HELIX ADDED.
- (E) 5-25-93 165059 GAGE NOTES ADDED.
- (F) 10-7-96 165991 2.92mm REF. WAS 2.54/2.67mm. REF. ADDED TO 3.05/3.18mm. NOTE ADDED.
- (G) 2-17-98 400160 9.14/8.64 DESIGNATED SPC DIMENSION (S)

C71682-M42141

C71682-M42141

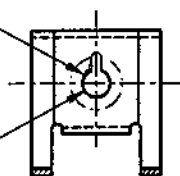
PREVAILING TORQUE REQUIREMENTS*					
PREVAILING TORQUE					
FIRST-ON MAXIMUM		FIRST-OFF MINIMUM		FIFTH-OFF MINIMUM	
Nm	lb-in	Nm	lb-in	Nm	lb-in
0.90	8	0.11	1	0.11	1

* PREVAILING TORQUE REQUIREMENTS PER FORD SPEC. ES-N802538-S100 TABLE 2



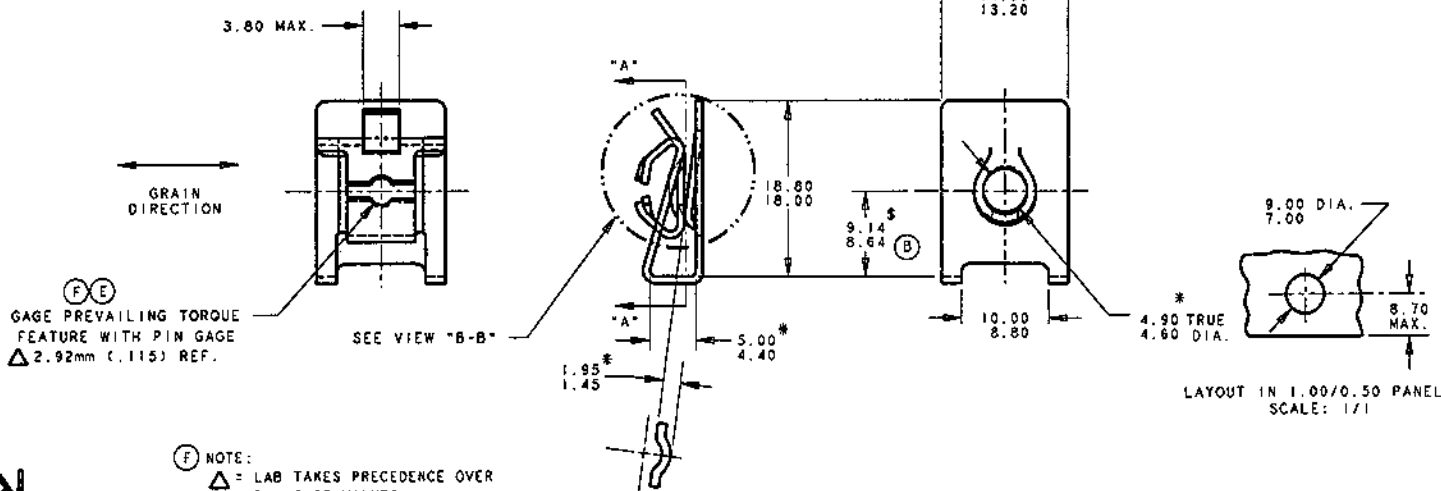
(F)(E) GAGE HELIX WITH PIN GAGE
3.05mm - 3.18mm REF.
(.120 - .125)

(D) FREE FIT THRU HELIX



DETAIL "A-A"

VIEW "B-B"
SCALE: 3/1



(F)(E) GAGE PREVAILING TORQUE FEATURE WITH PIN GAGE
△ 2.92mm (.115) REF.

SEE VIEW "B-B"

LAYOUT IN 1.00/0.50 PANEL
SCALE: 1/1

(F) NOTE:
△ LAB TAKES PRECEDENCE OVER PIN GAGE VALUES.

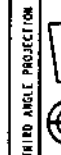
NOTE:
Ⓣ IDENTIFICATION STAMP TO APPEAR ON FACE OF PART.

ACTUAL SIZE

METRIC PATENTED

NOTICE TO VENDORS RECEIVING THIS DRAWING AND/OR TECHNICAL INFORMATION: THIS DRAWING AND/OR TECHNICAL INFORMATION IS ISSUED IN CONFIDENCE FOR THE EXCLUSIVE INFORMATION ONLY AND MAY NOT BE REPRODUCED OR USED TO MANUFACTURE ANYTHING SHOWING OR RECEIVED TO MARKING WITHOUT DIRECT WRITTEN PERMISSION FROM TINNERMAN PALNUT CORPORATION. TO THE USER OF THIS DRAWING AND/OR TECHNICAL INFORMATION, IT IS THE PROPERTY OF TINNERMAN PALNUT CORPORATION AND IS LOANED TO YOU. THIS DRAWING AND/OR TECHNICAL INFORMATION IS THE PROPERTY OF TINNERMAN PALNUT CORPORATION.

CLASSIFICATION OF DIMENSIONS
THIRD ANGLE PROJECTION



DENOTES SET-UP DIMENSIONS
ALL OTHERS-MINOR DIMENSIONS

MATERIAL: SAE 1050 STEEL
THICKNESS: 0.71mm (.028) | HEAT TREAT: AUSTEMPER
CLASS OF FIT: FINISH ROOM 45-50C
SCALE: 2/1
DATE: 6-14-91
DRAWN: REM/KAM
CHECKED: KAM
RELEASED: 6-26-91
APPROVED: F.F.F.
I.S.T.PROD.

SPECIAL FEATURES: M4.2 x 1.41 TAPPING SCREW
C71682-M42141
SPEED NUT-SPECIAL SHAPE



TINNERMAN PALNUT
ENGINEERED PRODUCTS, LLC
P.O. Box 10 Brunswick, OH 44212