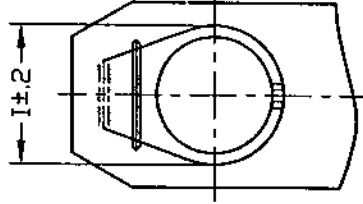


DWG

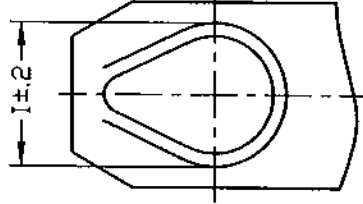
LUGS-METRIC

FINAL INSPECTION FOR INTERNAL THREADS SHALL CONSIST OF A STANDARD THREAD GAUGE FOR PARTS WITH ELECTROPLATED OR CHEMICALLY DEPOSITED FINISHES. FOR OTHER FINISHES, THREAD INSPECTION WILL MEET A GO TEST CONDUCTED WITH AN UNCOATED (OR ZN PLATED) MATING BOLT, AND A NO-GO TEST CONDUCTED WITH THE THREAD ELEMENT OF A STANDARD GAUGE.

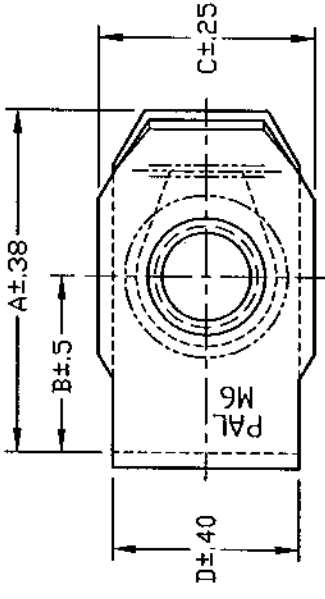
Controlled copy must be in Red



DESIGN #1

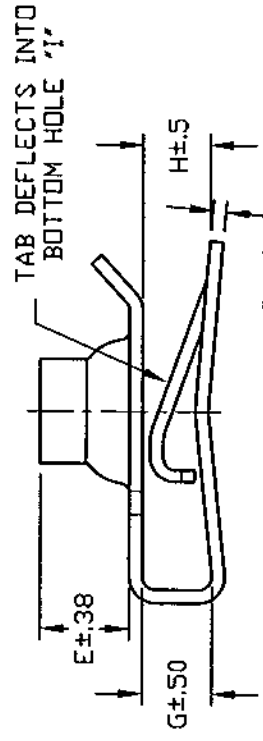
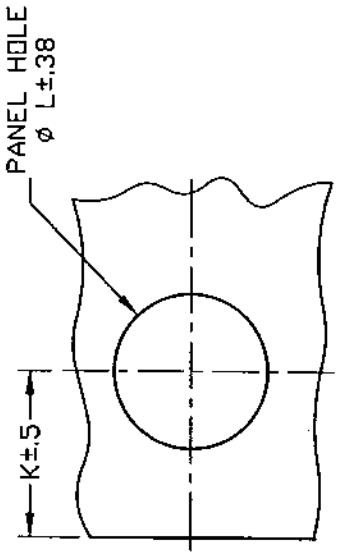


DESIGN #2



UNCONTROLLED

MAY 1 0 2002



THREAD CLASS - 6H

PART NO.	SCREW SIZE	A	B	C	D	E	F	G	H	I	PANEL			LOWER TAB DESIGN
											K	L	T	
LUGS040016	M4 x .7	17.30	10.15	12.50	10.50	5.6	0.65	2.35	1.27	7.50	7.60	7.93	5-2.4	2
LUGS060023	M6 x 1.0	23.37	13.72	14.22	12.60	6.10	0.89	4.70	3.70	9.50	12.00	10.30	.8-4.0	1
LUGS630023	M6.3 x 1.0	23.37	13.72	14.22	12.60	6.10	0.89	4.70	3.70	9.50	12.00	10.30	.8-4.0	1

PAL[®] PALNUT[®] ON SERT[®] PUSHNUT[®]

TINNERMAN PALNUT
ENGINEERED PRODUCTS, LLC

TITLE: PALNUT MULTI-THREAD NUTS 'U' TYPE, SHORT CLIP STYLE

MATERIAL: SPRING STEEL - SAE1050

DATE	REV	DESCRIPTION	BY
5/3/01	B	EC2207: THREAD PROPERTY DESIGNATION ADDED TO PARTS LUGS060030, 080025 & 085725 AND DRAWINGS ISOLATED FROM LUGS-METRIC [®] DWG	ONC
9/19/00	A	REDRAWN TO AUTOCAD 2000	MS
6/1/00	-	REMOVED THREAD GRADE INDICATION PER ECO #138	CL
12/21/99	-	ADDED THREAD GAUGE CRITERIA	CJT
6/19/96	-	'B' TOLERANCE WAS ±.25 PER ECH1492	BAD
5/3/93	-	REMOVED LUGS634730	BAD
5/3/93	-	REMOVED LUGS100033	DNF
4/15/93	-	REMOVED LUGS064730	BAD
2/18/93	-	ADDED LUGS634730	RM
3/10/92	-	12.60 WAS 12.50 & 12.70; .40 WAS .25	V.S.
7/18/90	-	REDRAWN TO CAD	DNF
7/18/90	-	ADDED LUGS 064730	V.S.

DRAWN	C.L.	RELEASED	SCALE
DATE: 11/8/74	PART NO: VARIOUS	NONE	
CHECKED: CANAN	DWG NO.		
APPROVED: [Signature]			

LUGS-METRIC