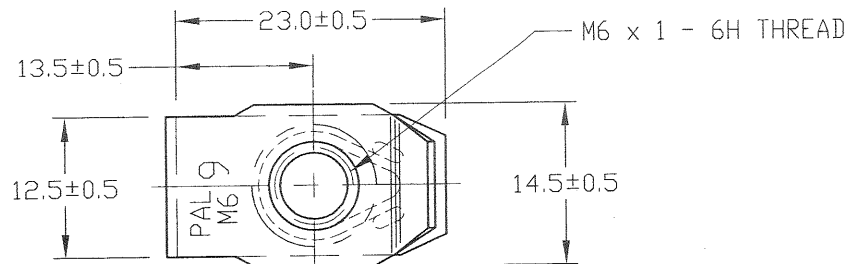
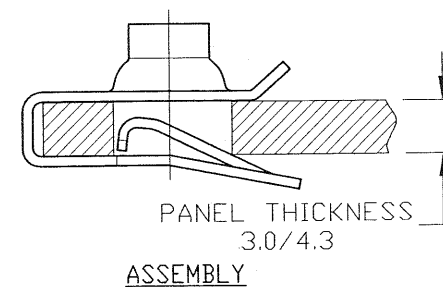
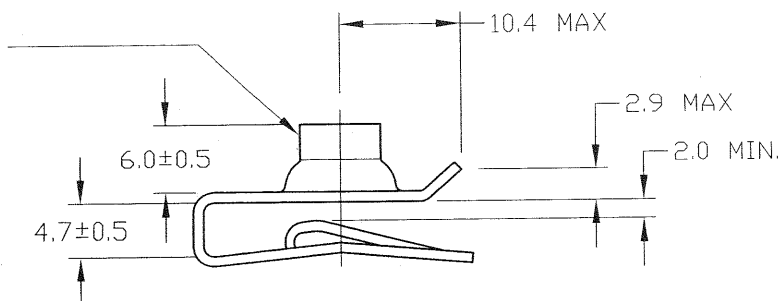


DWG

LPGZ062347



REFORM THIS AREA AFTER
 THREADING TO PRODUCE
 A PREVAILING TORQUE OF:
 4.00 Nm MAX. 1ST ON
 0.55 Nm MIN. 1ST OFF
 0.40 Nm MIN. 5TH OFF



NOTES:

- 1- MIN. PROOF LOAD = 17200N (3867 lbf)
- 2- MIN. RETENTION FORCE = 13N (2.9 lbf)
- 3- MAX. PUSH ON FORCE = 55N (12.4 lbf)

Controlled copy must be in Red

CONTROLLED

TINNERMAN PALNUT
 ENGINEERED PRODUCTS, LLC
 MOUNTAINSIDE, NEW JERSEY

PAL® PALNUT® ON SERT® PUSHNUT®

TITLE
 PALNUT MULTI-THREAD NUT
 "U" TYPE, SHORT CLIP STYLE
 FOR 3.0-4.3 PANEL THICKNESS

MATERIAL:
 SPRING STEEL-SAE1050
 0.89±.05 THICK

HARDNESS: AUSTEMPER 43-50

DRAWN:	JSB	RELEASED	SCALE
DATE:	10/18/05	PART No: LPGZ062347	NONE

CHECKED:	<i>BA</i>	DWG No.
APPROVED:	<i>BA</i>	LPGZ062347

DATE	REV	DESCRIPTION	BY
12/9/05	A	CHANGED ROCKWELL 42-50 TO AUSTEMPER 43-50 PER ECD 763	JSB
10/18/05	-	RELEASED	JSB