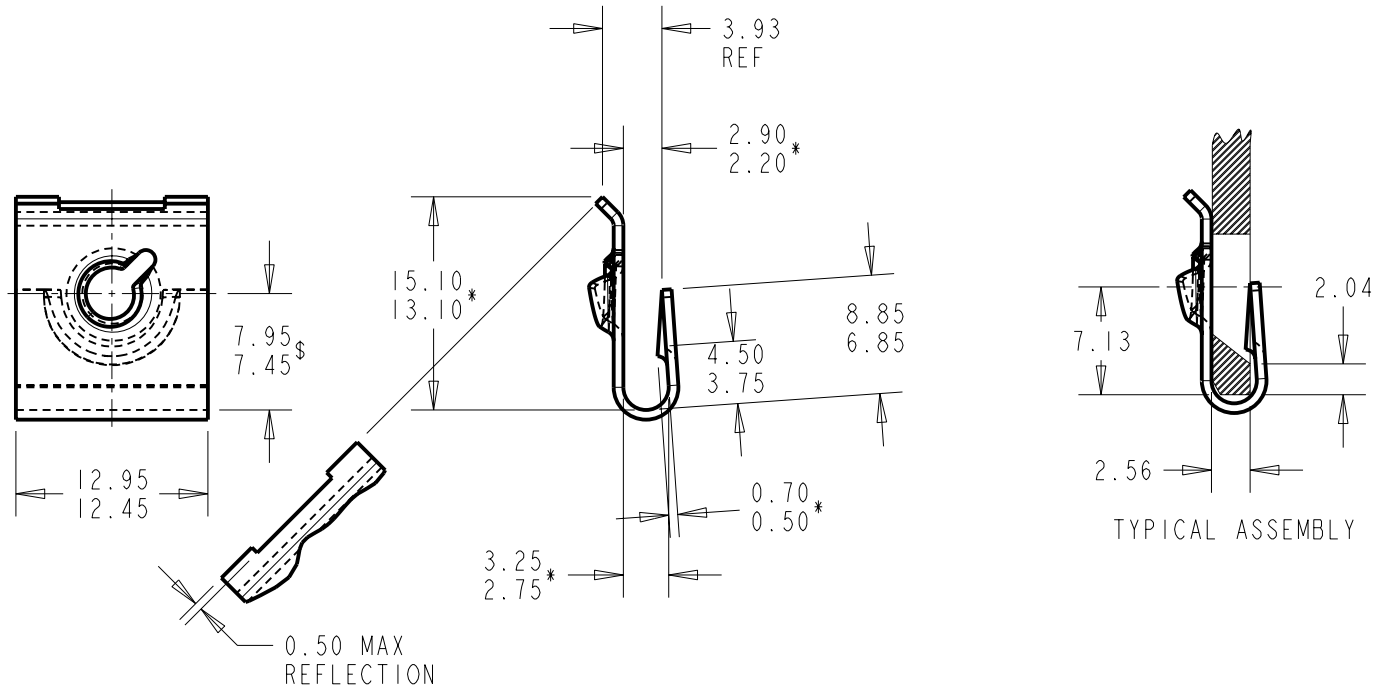


C71743-M47159

DATE	E.C.O	REVISIONS
(D) 10-26-95	165722	0.50 MAX REFLECTION ADDED.
(E) 7-31-97	400160	7.95/7.45 DESIGNATED SPC DIMENSION (\$).
(F) 4-29-02	402300	RECREATED ON PRO/E.

↑  
GRAIN  
DIRECTION  
↓



SCALE 1.000

METRIC

P

"NOTICE TO PERSONS RECEIVING THIS DRAWING AND/OR TECHNICAL INFORMATION"  
 TINNERMAN PALNUT ENGINEERED PRODUCTS CLAIMS PROPRIETARY RIGHTS TO THE MATERIAL DISCLOSED HEREON. THIS DRAWING AND/OR TECHNICAL INFORMATION IS ISSUED IN CONFIDENCE FOR ENGINEERING INFORMATION ONLY AND MAY NOT BE REPRODUCED OR USED TO MANUFACTURE ANYTHING SHOWN OR REFERRED TO HEREON WITHOUT DIRECT WRITTEN PERMISSION FROM TINNERMAN PALNUT ENGINEERED PRODUCTS TO THE USER. THIS DRAWING AND/OR TECHNICAL INFORMATION IS THE PROPERTY OF TINNERMAN PALNUT ENGINEERED PRODUCTS AND IS LOANED FOR MUTUAL ASSISTANCE TO BE RETURNED WHEN ITS PURPOSE HAS BEEN SERVED. THIS DRAWING AND/OR TECHNICAL INFORMATION IS THE PROPERTY OF TINNERMAN PALNUT ENGINEERED PRODUCTS.

CLASSIFICATION OF DIMENSIONS		THIRD ANGLE PROJECTION
*	DENOTES SET-UP DIMENSIONS	
	ALL OTHERS-MINOR DIMENSIONS	

MATERIAL SAE 1050-1065 STEEL	SCALE 2:1	DRAWN CKR/TJS	CHECKED KAM	APPROVED F.F.
	CLASS OF FIT FREE	DATE 2-7-94	RELEASED 5-5-94	I ST. PROD.
THICKNESS 0.64mm (.025")	HEAT TREAT AUSTEMPER	FINISH ROCK. 45-50 Rc	SPECIAL FEATURES M4.7 X 1.59 TAPPING SCREW	C71743-M47159 SPEED NUT - "J" TYPE

**TINNERMAN PALNUT**  
 ENGINEERED PRODUCTS, LLC  
 MASSILLON PLANT

**TINNERMAN BRAND**

TINNERMAN PALNUT  
 ENGINEERED PRODUCTS, LLC  
 MASSILLON PLANT 240-6th ST. N.W.  
 MASSILLON, OHIO 44647-5479