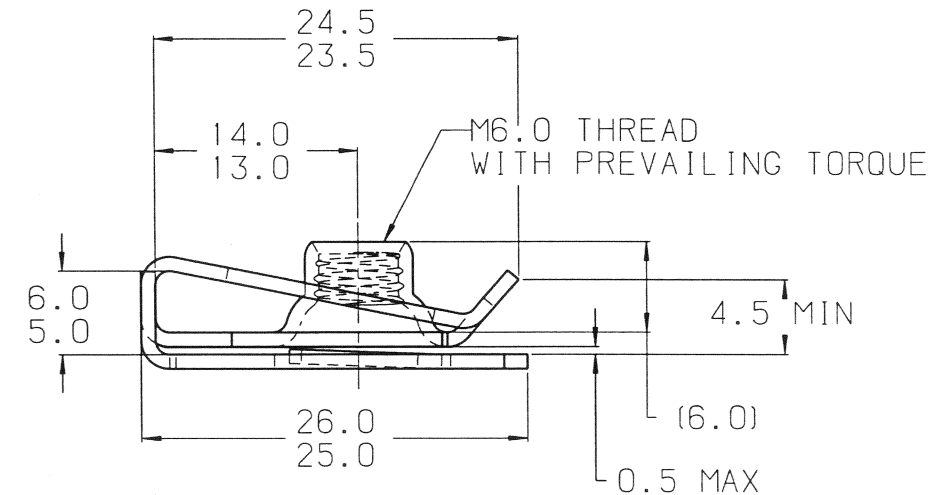
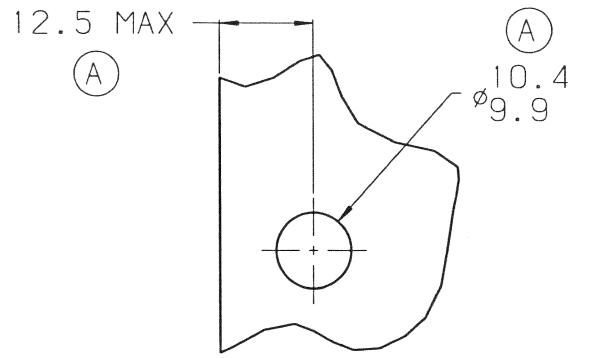
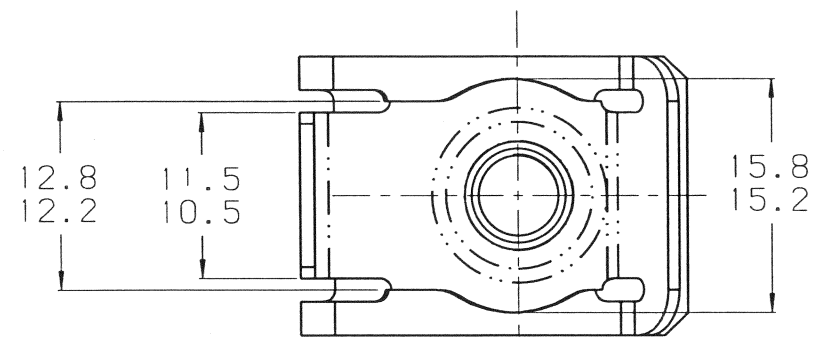
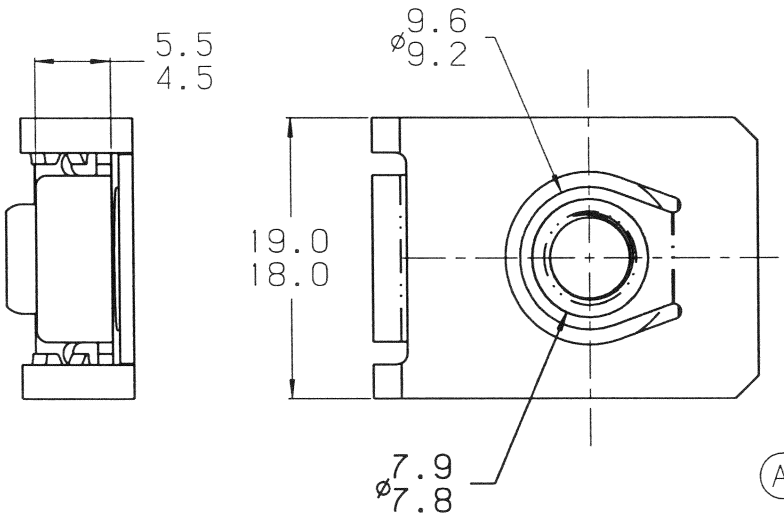


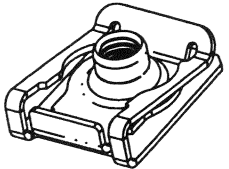
REVISIONS



TYPICAL ASSEMBLY SCALE 1:1



- NOTE: 1. MFG IDENTIFICATION TO APPEAR ON FACE OF PART.
 2. DIMENSIONING AND TOLERANCING PER ASME Y14.5M.
 3. PERFORMANCE SPECIFICATIONS TO BE CONDUCTED AFTER HEAT TREAT & BEFORE FINAL FINISHING



ACTUAL SIZE

PERFORMANCE SPECIFICATIONS	
MAX PREVAILING TORQUE - 1ST ON	4.0Nm (35.4 lb-in)
MIN PREVAILING TORQUE - 5TH OFF	0.34Nm (3.00 lb-in)
NOTE: TORQUE SPECIFICATIONS APPLY WHEN TESTED WITH M6.0 X 1.0 6G SCREW. PROPERTY CLASS 9.8. FINISH GM6280M	
PROOF LOAD	19.5kN (4383.8 lb) OVER $\phi 10.2\text{mm}$ (0.402") HOLE USING M6.0 X 1.0 6G SCREW. PROPERTY CLASS 12.9 MIN.
MAX ALLOWABLE BARREL PERMANENT SET	0.45mm (0.017") TESTED AT 13.06kN (2936.0 lb) USING THE SAME HOLE AND SCREW CRITERIA AS PROOF LOAD

E.C.O.	REV	DESCRIPTION	DATE	DR	CK	APP
4634	A	MIN PREVAILING TORQUE	11/15/07	TT		
		5TH OFF ADDED.				
		NOTE & PROOF LOAD SPEC. MODIFIED.				
		MAX ALLOWABLE ... SET ADDED				
		$\phi 9.9/10.4$ WAS $\phi 10.3$				
		12.5 MAX WAS 12.5				
		NOTE MODIFIED				

CONTROLLED IF RED

NOTICE TO PERSONS RECEIVING THIS DRAWING AND/OR TECHNICAL INFORMATION: TINNEMAN PALNUT ENGINEERED PRODUCTS CLAIMS PROPRIETARY RIGHTS TO THE MATERIAL DISCLOSED HEREON. THIS DRAWING AND/OR TECHNICAL INFORMATION IS ISSUED IN CONFIDENCE FOR ENGINEERING INFORMATION ONLY AND MAY NOT BE REPRODUCED OR USED TO MANUFACTURE ANYTHING SHOWN OR REFERRED TO HEREON WITHOUT DIRECT WRITTEN PERMISSION FROM TINNEMAN PALNUT ENGINEERED PRODUCTS. THIS DRAWING AND/OR TECHNICAL INFORMATION IS THE PROPERTY OF TINNEMAN PALNUT ENGINEERED PRODUCTS AND IS LOANED FOR MUTUAL ASSISTANCE.

MARK TOOL:



P.O. Box 2492
Hamilton, Ontario, Canada
L8N 3K1

DRAWN BY	DATE	CHECKED	SCALE	APPROVED
T. TRAN	07/06/07	D. HOLODNIUK RELEASED 09/12/07	2:1	M. LUANG-ASA 1ST. PROD. 09/13/07

MATERIAL	THICKNESS	HEAT TREAT	FINISH HARDNESS
SAE 1050-1065	0.94	AUSTEMPER	Rc44-51

REF: Q#25321-001, DX9155-M6 CHRYSLER 06105241AA
 NAME "U" NUT

SPECIAL FEATURES: M6 TAPPED BARREL		
SHEET: 1	DWG NO	SIZE
OF: 1	D99317-M61	B