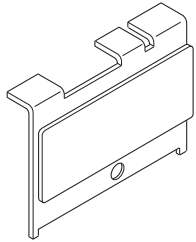


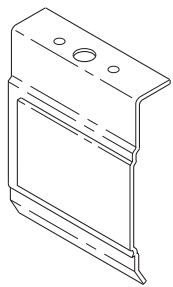
Materials

Tools Needed:

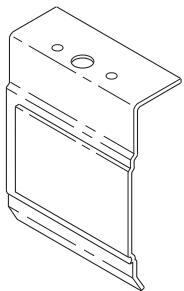
- Correct Plate to match panel style
- Flat head screwdriver
- Screws



For use with 9000 power panels



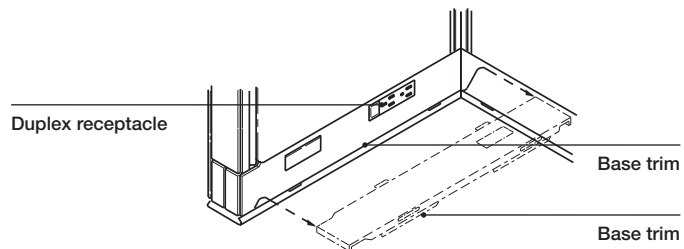
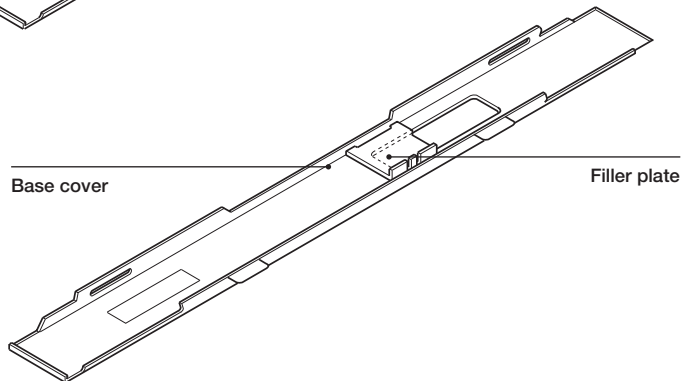
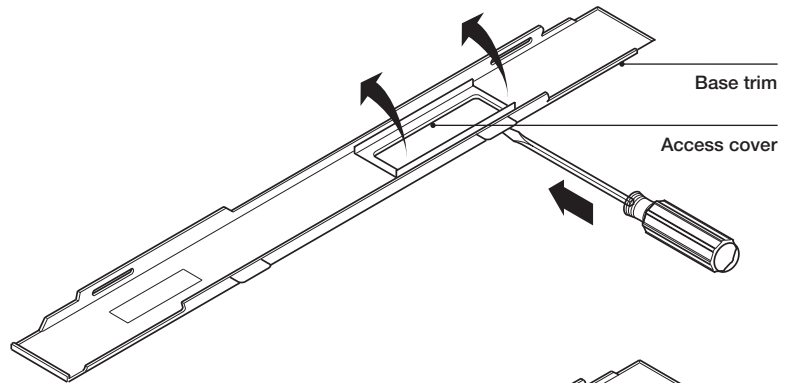
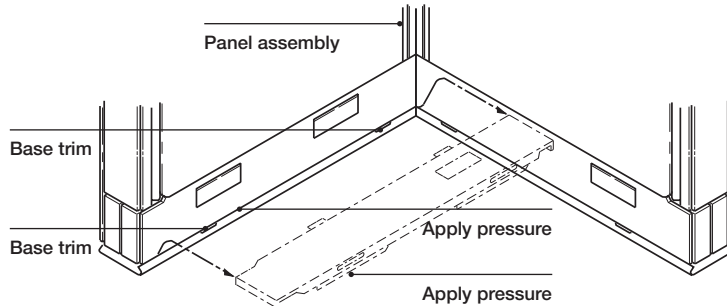
For use with Avenir Glass power panels



For use with Avenir power panels

gen2 9000

Remove base trim by pushing down on steel tabs at the bottom extreme ends (in area of glides) and lifting straight up and out. Remove access cover from base trim using a flat-bladed screwdriver. Snap the filler plate into base trim. After installing the duplex receptacle, replace base trim by reversing the removal procedure.



gen2 Avenir

Remove base trim by pushing down on steel tabs at the bottom extreme ends (in area of glides) and lifting straight up and out. Remove access cover from base trim using a flat-bladed screwdriver. Snap the filler plate into base trim. After installing the duplex receptacle, replace base trim by reversing the removal procedure.

