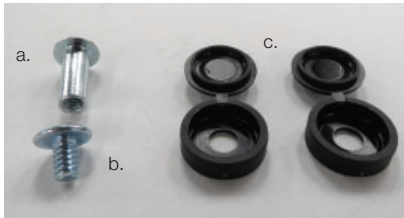


Installation Instructions

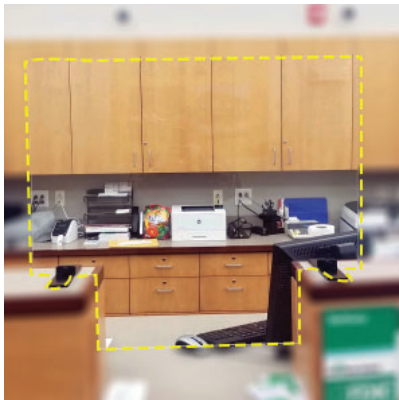
Freestanding and Open Bottom Shields

Tools:

- Phillips screwdriver
- Barrel nut (a) and screw (b)
- Plastic caps (c)



Reference Photos:



Step One

Open box and unpack parts, place acrylic shields flat on surface, leave the areas with pre-drilled holes where you can access them easily on both sides. (this will make attaching the brackets, much easier).

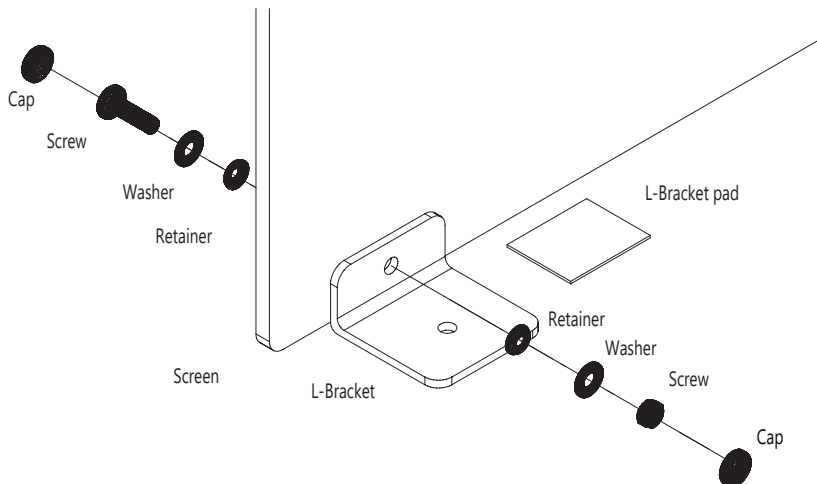
Step Two

Make sure that all of your barrel nuts have their plastic caps on before putting on the brackets.

Step Three

Peel back any of the protective film that you need to be able to access the pre-drilled holes.

Assemble as shown in the diagram.



For assistance:

Service Manager - Brad Bozeck 216-214-0207 or Project Manager - John Musarra 216-701-9902

visit us at gen2office.com

