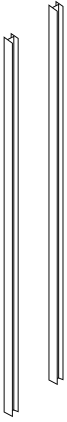


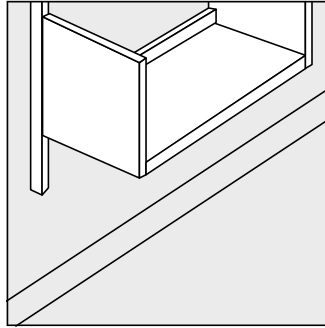
Overview



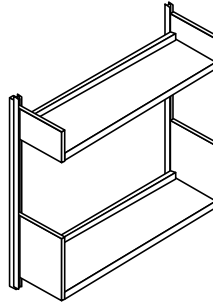
Wall channels accept shelves or overhead storage bins.

Caution: Maximum of two (2) accessories per channel set. Maximum storage load not to exceed 150 lbs per accessory.

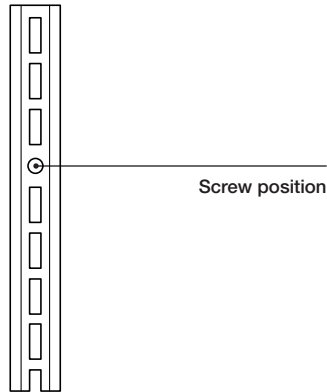
Product Details



Wall channel can be positioned on wall at varying heights.



Limit to two bins or shelves for each pair of wall channels.



Components attach at 1" increments, but screws block some slot locations.