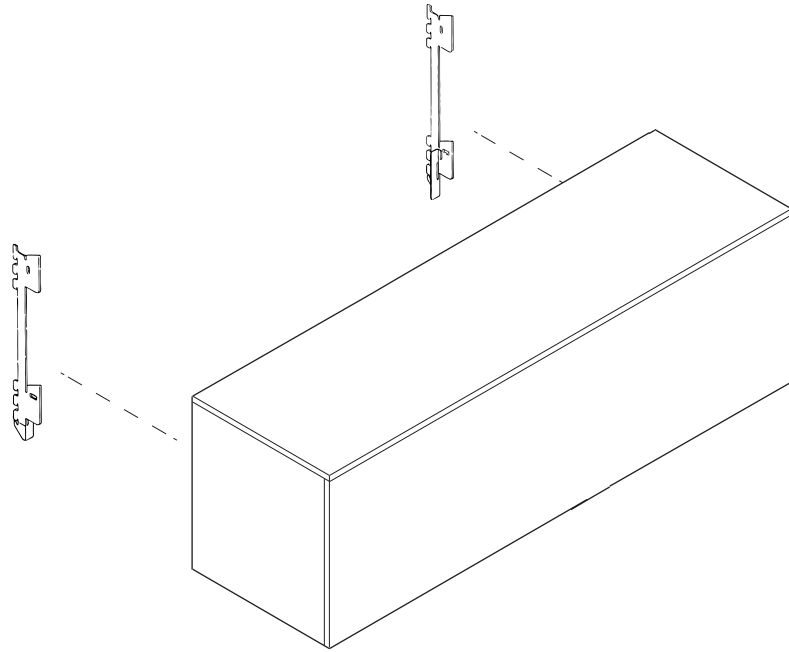


Materials

Tools:

- Phillips screwdriver
- Screws



Step One

Mark height for binder bin on the two panel uprights. Install the panel mounting brackets by inserting top tab then the bottom tab, When in place push upwards to lock. To prevent damage, remove panel top cap prior to installation and replace after installation.

