

Materials

Parts:

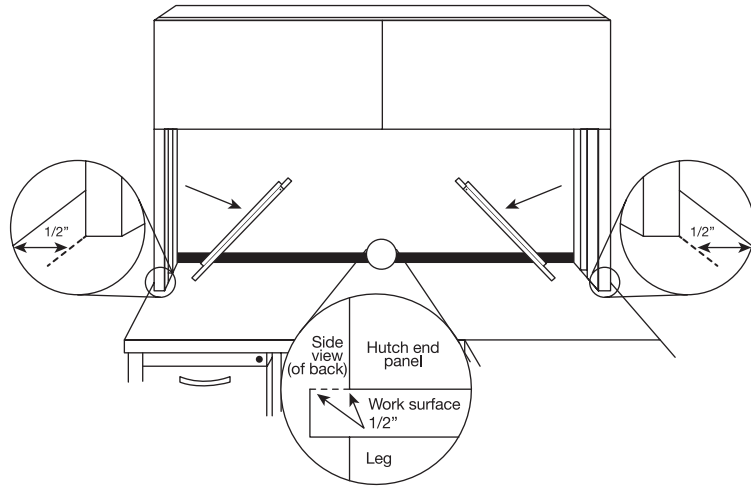
- Work surface screws (4)

Tools:

- Phillips screw driver

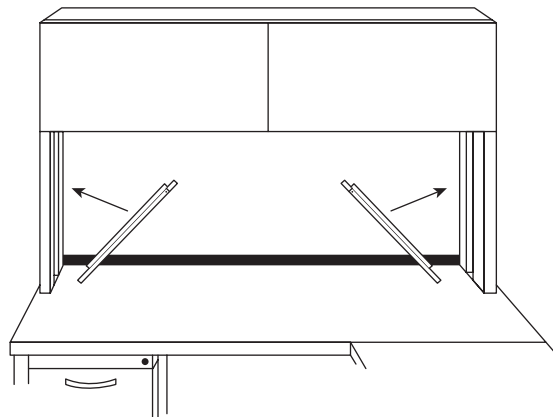
Step One

Carefully place the Full Hutch into position, taking care to not scratch the work surface. Allow for 1/2" set back from each work surface edge. Remove the metal panel covers from the inside, and after drilling 1/8" starter holes, drive (4) work surface screws through the Full Hutch and into the work surface.



Step Two

Replace the Metal Panel Covers.



Step Three

Install Tackboard by sliding up in upper channel and then down into the lower channel.

