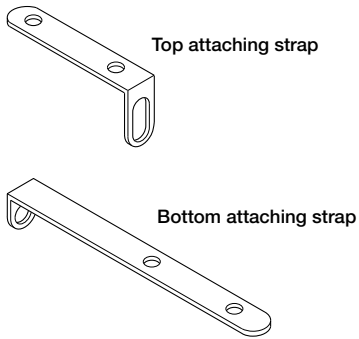


## Materials

### Parts:

- Top attaching straps (2)
- Bottom attaching straps (2)

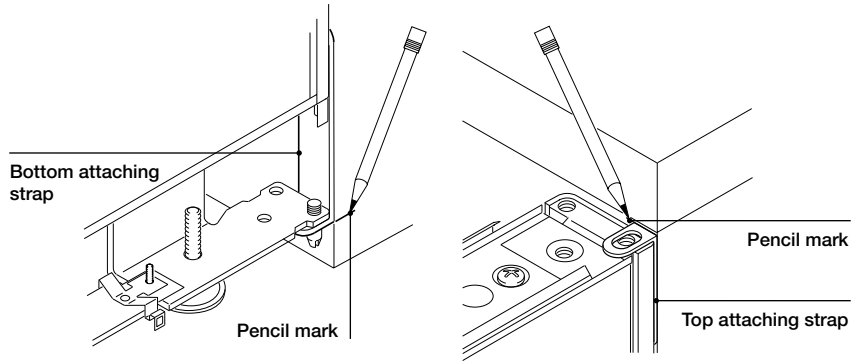


### Tools:

- 1/4" drill motor
- #30 drill bit
- Wall anchors
- Pencil

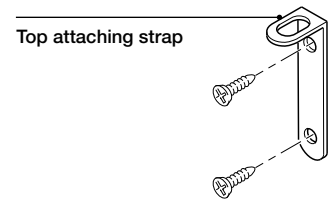
## Step One

Position bottom attaching strap and panel against the lateral file and mark.



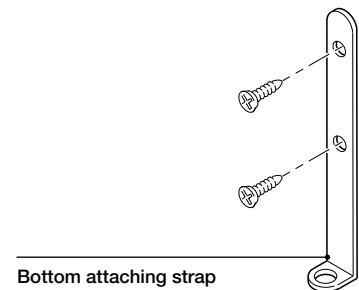
## Step Two

Position top attaching strap against the wall and attach with screws.



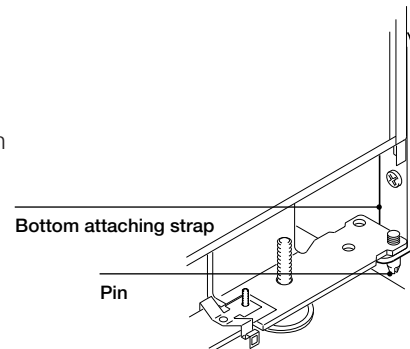
## Step Three

Position bottom attaching strap against the wall and attach with screws.



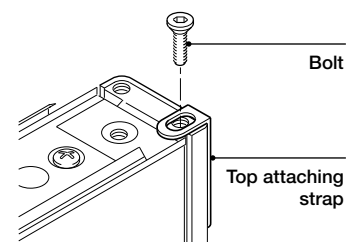
## Step Four

Secure bottom of panel by inserting the pin into the bottom attaching strap.



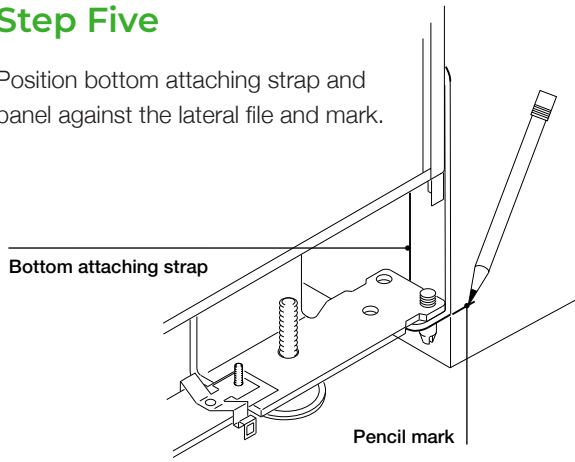
## Step Five

Secure top of panel with (1) bolt.



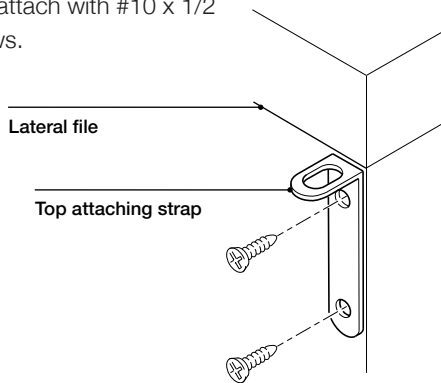
### Step Five

Position bottom attaching strap and panel against the lateral file and mark.



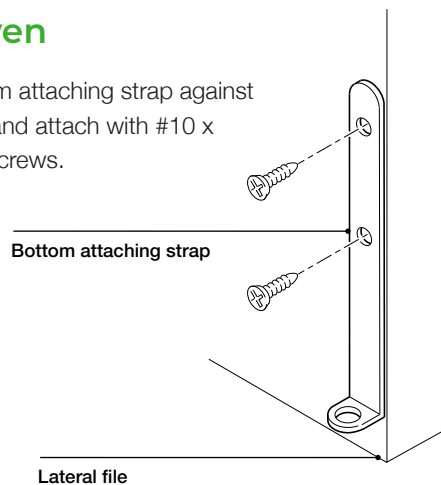
### Step Six

Position top attaching strap against the lateral file and attach with #10 x 1/2 flat head screws.



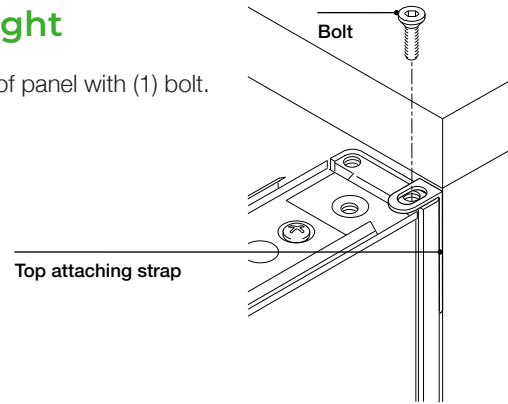
### Step Seven

Position bottom attaching strap against the lateral file and attach with #10 x 1/2 flat head screws.



### Step Eight

Secure top of panel with (1) bolt.



### Step Nine

Secure bottom of panel by inserting the pin into the bottom attaching strap.

### Step Ten

Position bottom, top attaching straps and panel against the wall and mark.

