

Materials

Four and five wire for 9000 and Avenir/gen2 work power panels.

Overview:

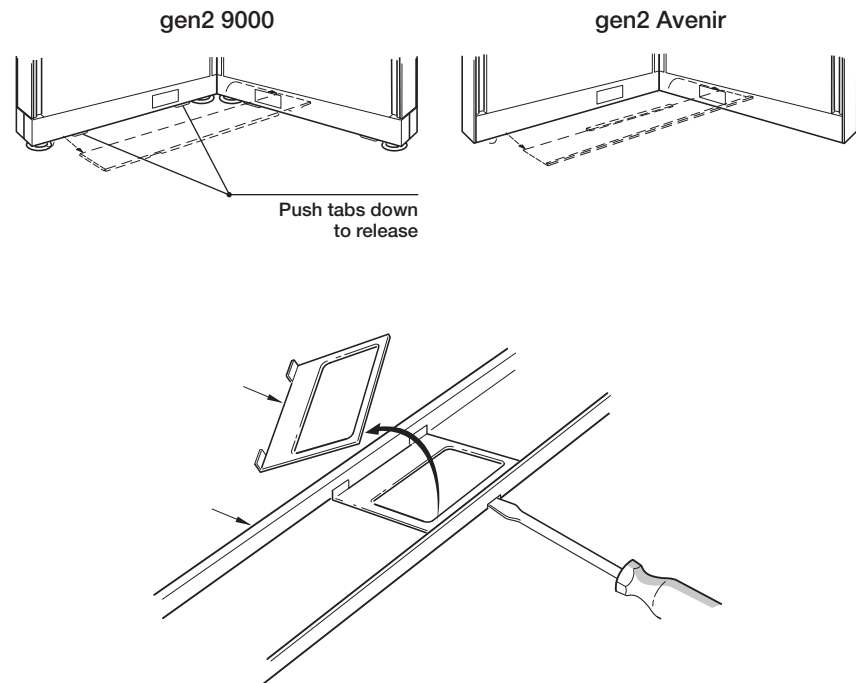
- Rating: 120V 15 Amp Canada
- “L-2” Black wire lighting circuit for task and ambient lights
- “N” White wire neutral
- “G” Green wire ground
- “L-1” Red wire base circuit for duplex receptacle
- 5 Wire only - “L-3” blue wire electronic information processing circuit

Tools:

- Phillips screwdriver
- Flat head screwdriver

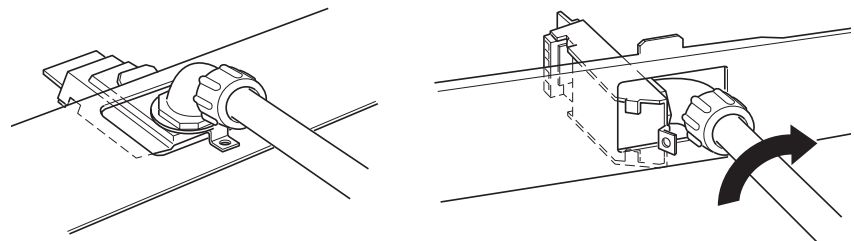
Step One

Remove base trim and access cover.



Step Two

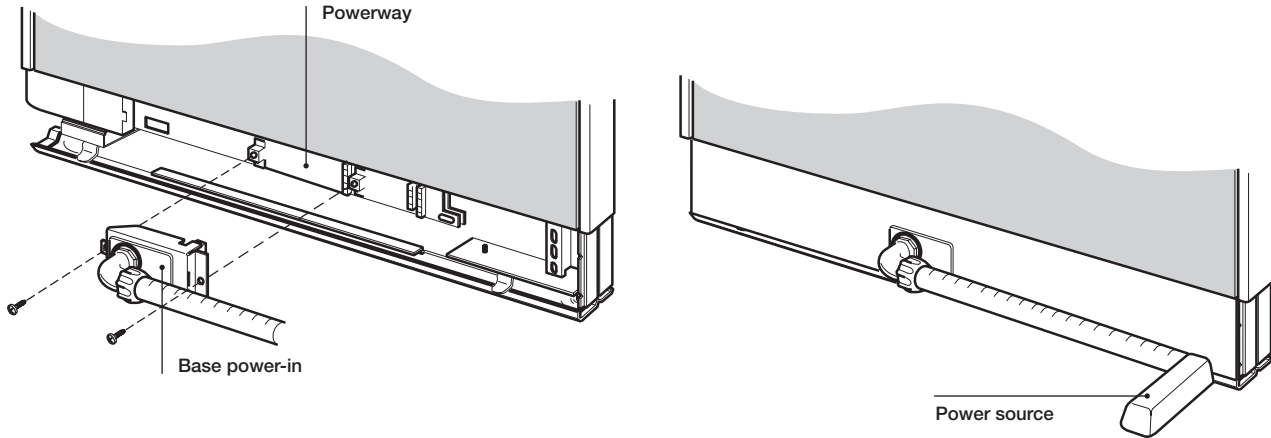
Insert end of base power-in assembly thru opening in base trim. Rotate 90° and push base power-in completely through opening.



Step Three

Position and connect base power-in assembly to powerway assembly and secure. Replace base trim by reversing step 1.
Note: All base trims must be reinstalled prior to connection to building electrical power system.

gen2 9000



Avenir

