

Materials

Parts:

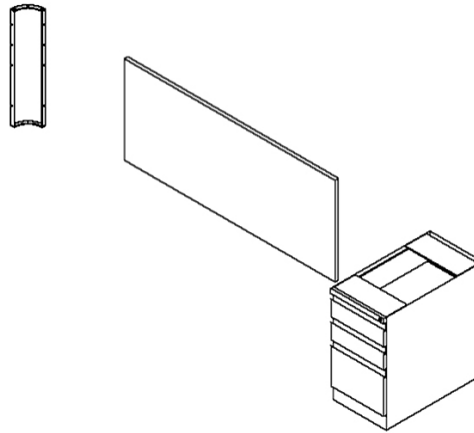
- Desk top & returns
- Curved corner post
- C-leg(s)
- Pedestal(s)
- Modesty panel(s)
- 5/16" Self drilling screws
- Wood screws

Tools Needed:

- Drill
- 5/16" Nut driver

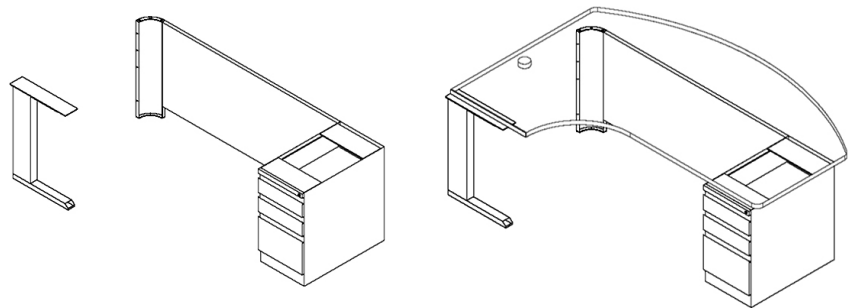
Step One

Use the 5/16 self-drilling screws to attach the curved corner post to the modesty panel. Then attach the modesty panel to the pedestal, line the top and front of the modesty panel to the top and back edge, and use the 5/16 self-taping screws.



Step Two

Install the desk by using the c-leg on the return side splitting the seam, install (4) wood screws to attach the c-leg to the desktop. Position the desk so that the pedestal sits even with the side of the desktop and the modesty panel and curved corner post are straight. Use (2) wood screws in the curved corner post, (3) in the modesty panel and (4) in the pedestal.



Step Three

Install the return by placing the pedestal parallel to the c-leg, using (4) wood screws attach the return to the c-leg. Position the pedestal so it sits even with the side of the return top.

