

## Materials

### Door frame

- Painted: All paint grades

### Panel door insert:

- Clear tempered glass
- Grey tempered glass
- Frosted acrylic

### Parts:

- Sliding panel door with mounting hardware attached
- Stainless steel threshold
- Mounting screws (2) 3/16" allen

## Product Details

The gen2 sliding door is handed and can be installed either on the outside or inside of host panel.

The sliding door is 1-1/2" thick and accommodates door openings of 36" and 42". The sliding door must match the height of the host panel 65" or 80".

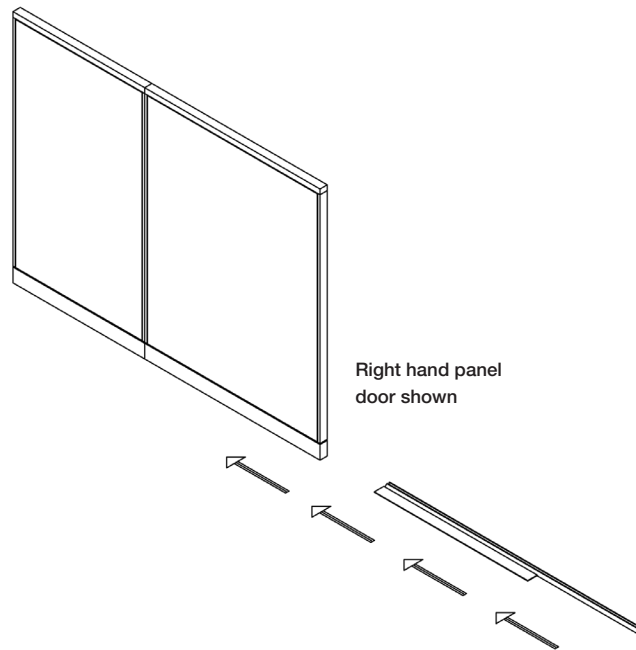
The door slides along 2 wheels that ride on the ADA stainless steel threshold. The mounting bracket secures the sliding door to the host panel and also self adjust for uneven floors.

gen2 sliding door is available in both locking and non-locking options.

Sliding doors ship fully assembled.

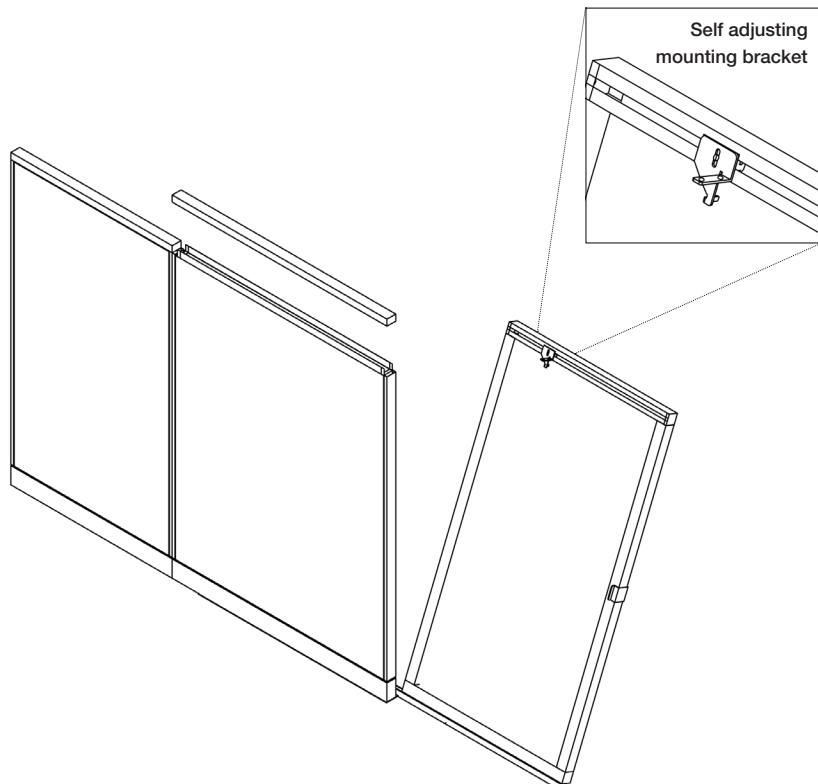
## Step One

Place the threshold on the floor and install host panel on top of panel ledge lining it up with the end of the panel. The threshold will extend the length of the opening. Secure threshold by driving a flush head deck or concrete screw (not included) through the hole provided at the end of the threshold and into the floor.



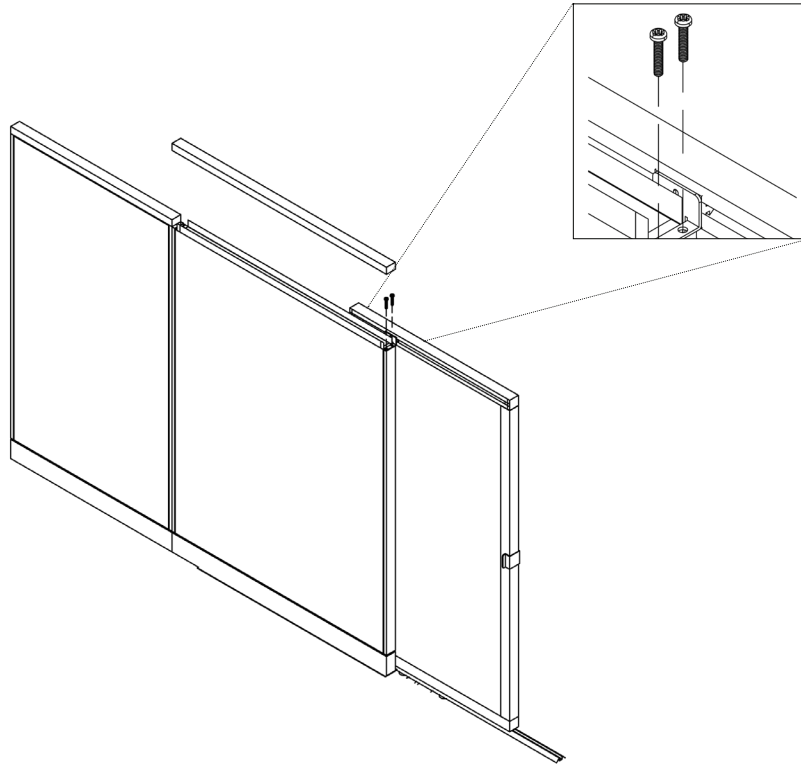
## Step Two

With the top cap removed from the host panel, set the door wheels in channel on threshold and tilt the panel door up aligning the mounting bracket with the end of the panel.



### Step Three

Using 2—3/16" allen screws, secure the panel door to the host panel.



### Step Four

With the door fully installed, slide door open and closed allowing the self adjusting mounting bracket to level out for any uneven floors. If more adjustment is needed, use the panel glide and adjust accordingly.

