

Materials

Parts:

- Wall bracket
- Connector rail
- Hinge connectors (2)
- Wall anchors or wood screws (not included) depending on wall material

Tools:

- Power drill
- Level
- Pencil

Step One

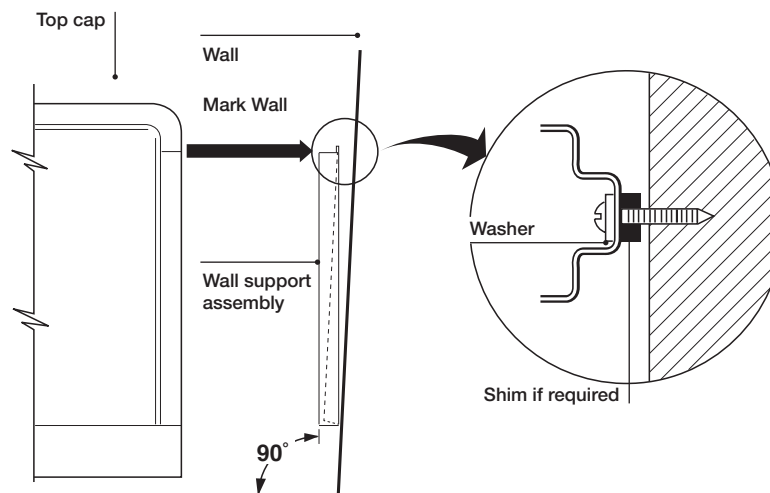
Position panel against wall or column, adjust glide for proper height taking into consideration any slope of floor away from wall. Level panel.

Step Two

Hold panel against wall and mark on wall the location at the top edge of panel upright.

Step Three

Locate the wall support assembly against wall using mark from step 2 as a reference point for the position of the top edge of wall support assembly. Check wall for vertical alignment... Provisions have been made for shimming between support reveal and upright to adjust wall support assembly to a vertically aligned position. Shims can be of any material.



When Mounting to Concrete or Block Wall

While wall support is held in position by hand, to correct heights per step 3, use the mounting holes as a template and mark with a punch. Use the star drill to drill holes for the #10 x 1-1/2 pan screw. Insert wall anchors and place wall support assembly with reveal against wall. Shim as required per step 1. Secure wall support with #10 x 1-1/2 pan head screws and washers.

Note: Wall anchors not included.

When Mounting to a Steel Wall

While wall support is held in position by hand, to correct heights per step 3, use the mounting holes as a template and mark with a punch. Drill mounting holes as required with the .128 dia. drill bit. Place wall support assembly with reveal against wall. Shim as required per step 1. Secure wall support with #10 x 1-1/2 pan head screws and washers.

Step Four

When Mounting to Wood, Drywall, or Plastered Walls

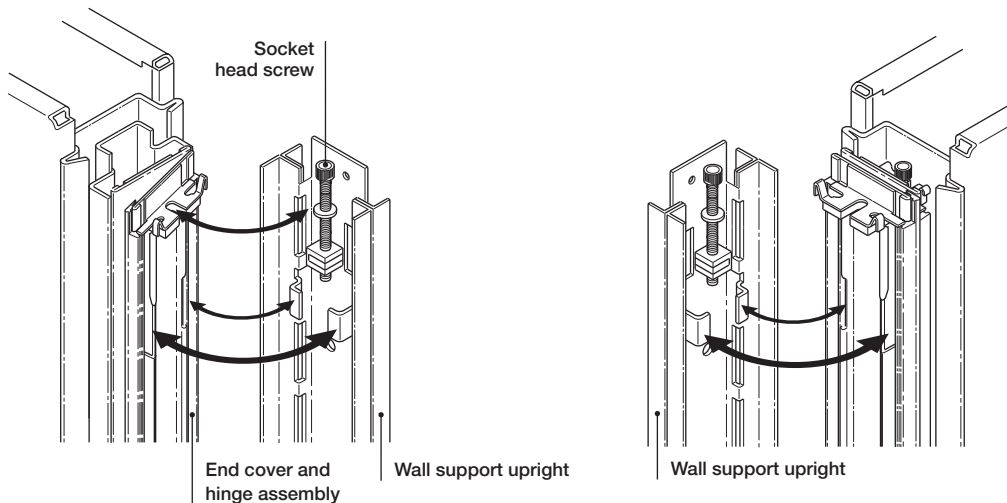
While wall support is held in position by hand, to correct heights per step 3, use the mounting holes as a template and mark with a punch. Secure wall support assembly to wall studs whenever possible. If attaching to wall studs is not possible, drill holes recommended by wall anchor manufacturer, insert wall anchors and place wall support assembly with reveal against wall, shim as required per step 1. Secure wall support with #10 x 1-1/2 pan head screws and washers.

Note: Wall anchors not included.

Step Five

Place Series 9000 panel in position for mounting to wall support assembly. Slide panel with end cover and hinge assembly attached, straight into wall support assembly. When fit is proper seat socket head cap screws and install panel top cap and wall support top cap.

Note: For more details see straight partition assembly of basic assembly for 9000 structural panels.



Step Six

Wall Support Reveal

For angular panel mounting to wall support, select panel position desired, remove a plastic hinge from the end cover and hinge assembly. Assemble panel straight into wall support assembly, seat socket head screws and swing panel to desired angular position. Replace panel top cap and wall support top cap.

Note: For more detailed description for hinge and panel mounting refer to angled partition assembly for 9000 structural panel.

