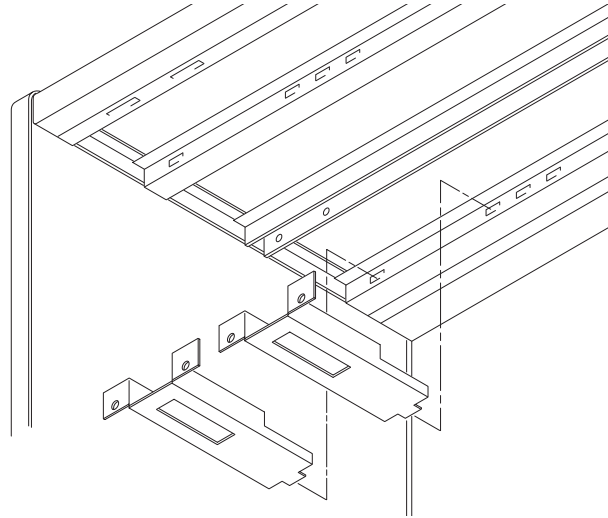


Materials

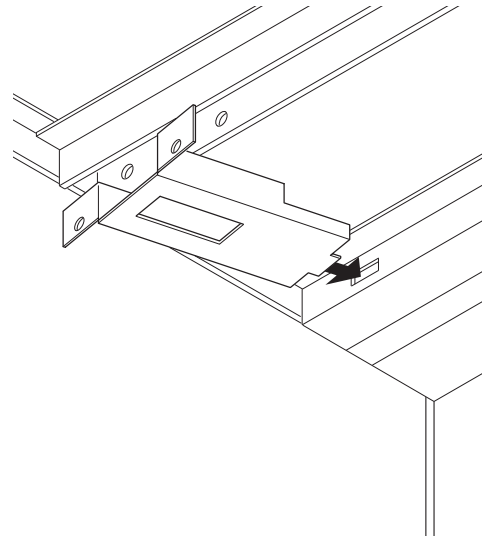
Tools:

- Phillips head screwdriver
- Pencil
- Socket wrench

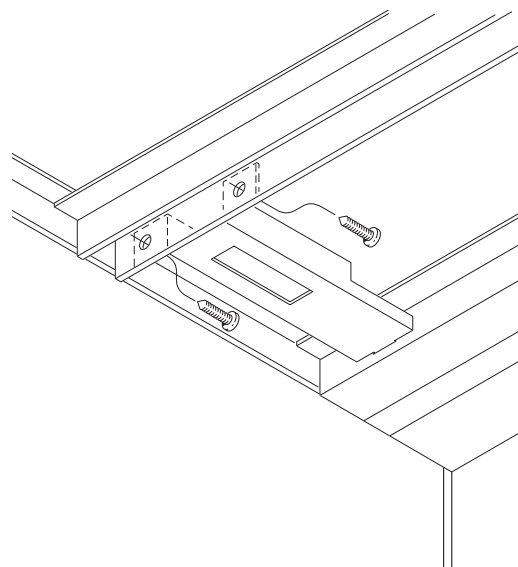
Step One



Step Two

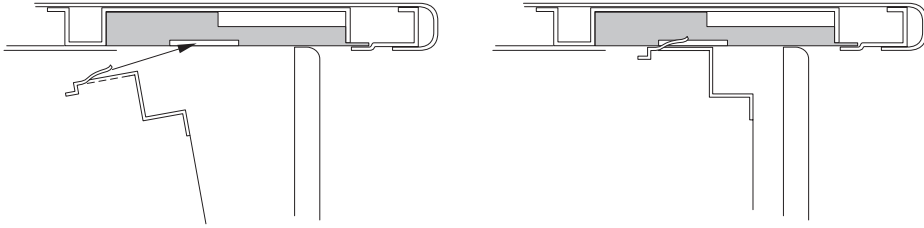


Step Three

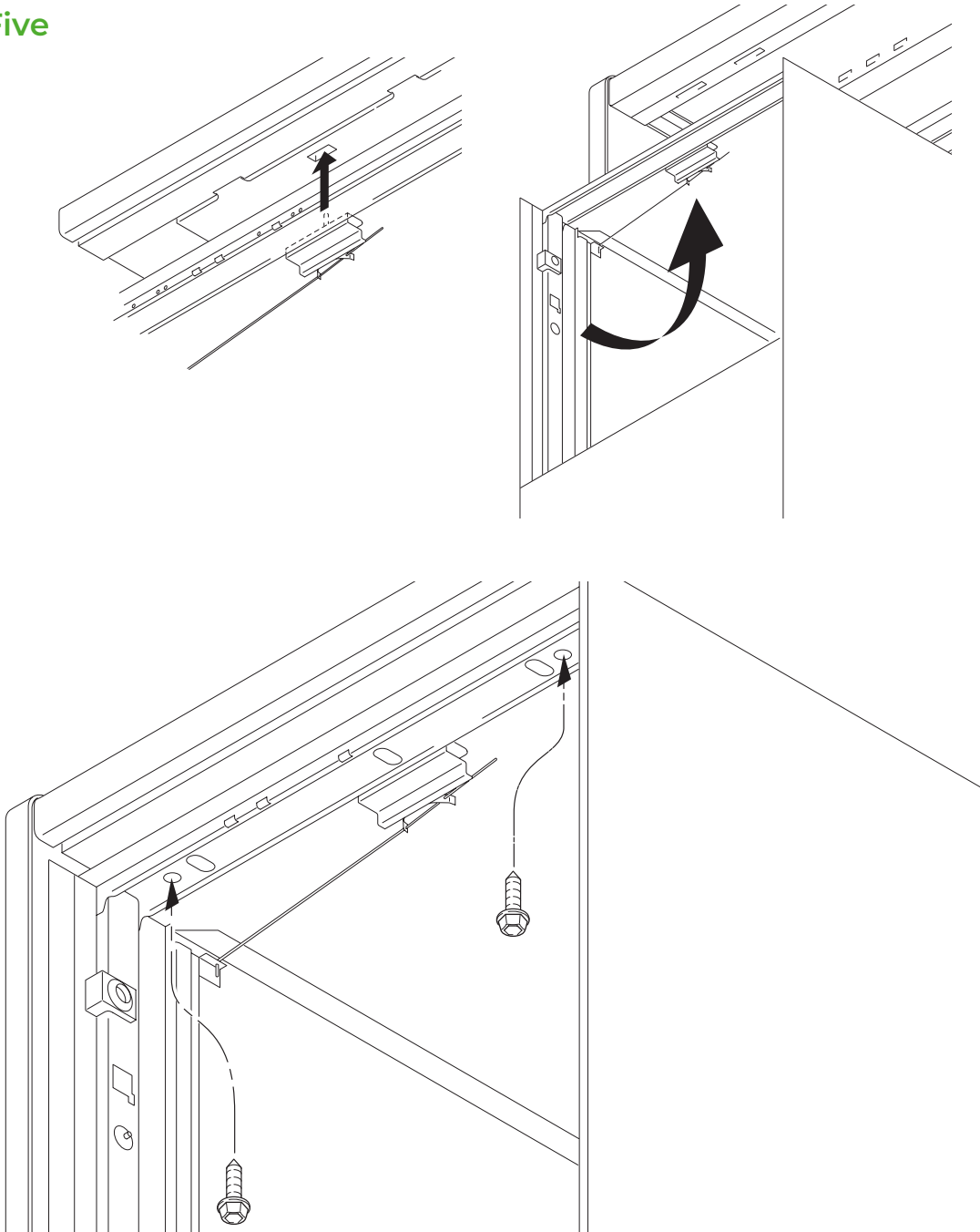


Step Four

Install pedestal rear tabs into adaptor bracket slots.



Step Five



Step Six

Slide lock rod until you hear lock tab strike the lower drawer side.

