

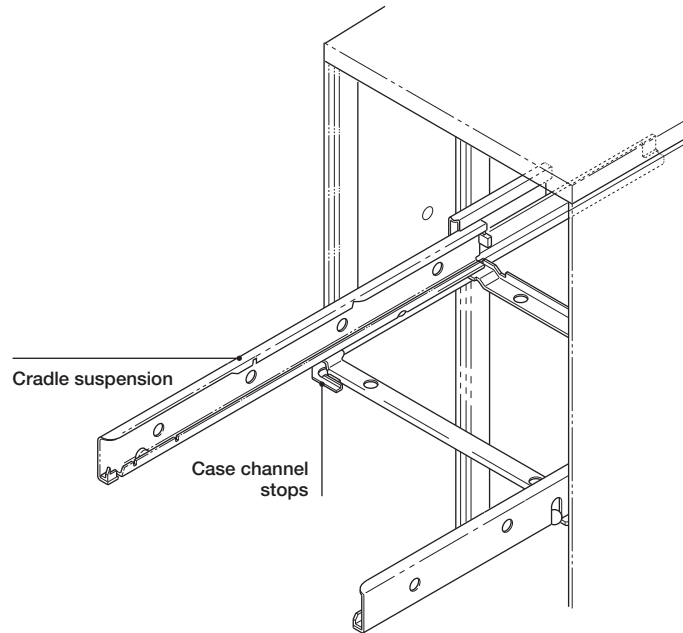
## Materials

### Tools:

- Clean cloth
- Machine oil

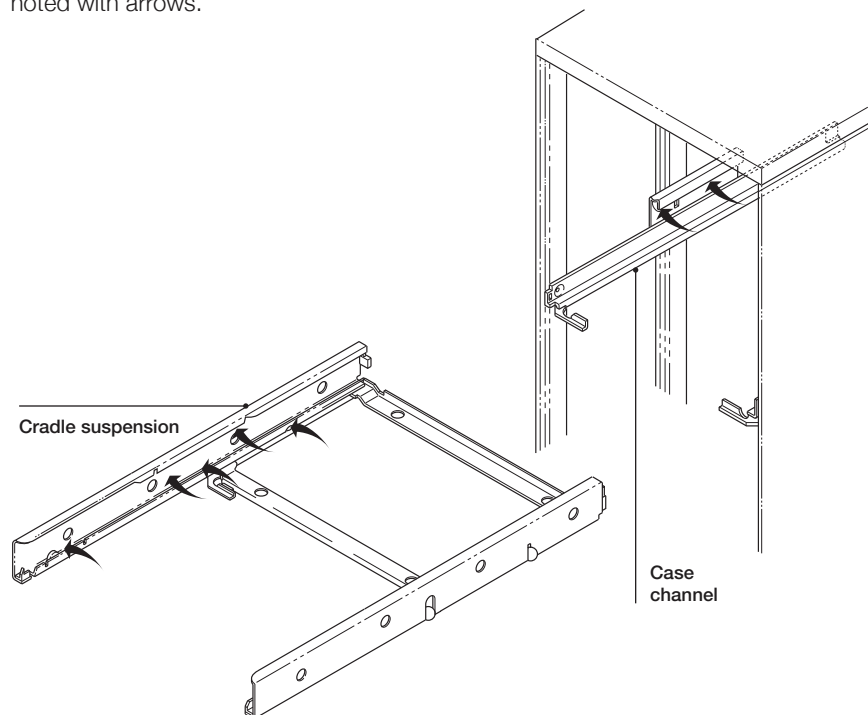
## Step One

Extend drawer out until it stops then raise front of drawer up and continue to pull out removing it from its cradle suspension. With the cradle suspension fully extended, remove it from the case channels by lifting upward clearing the case channel stops and slide outward.



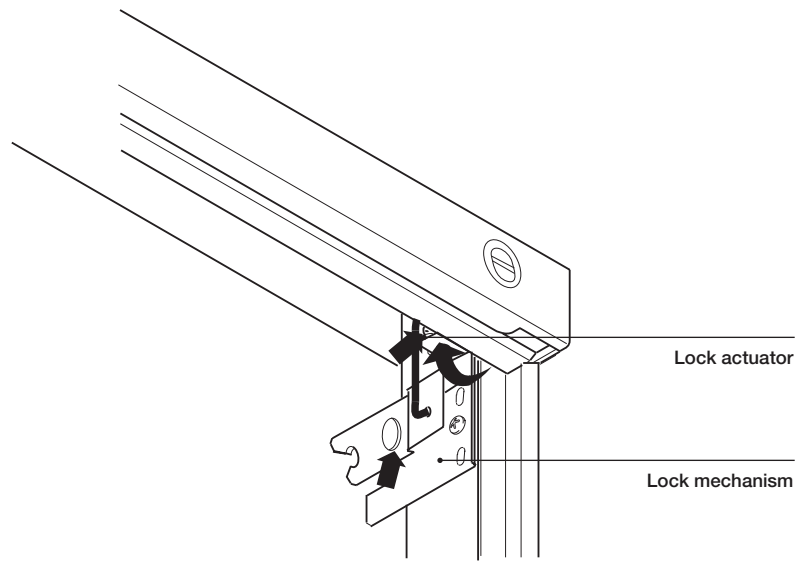
## Step Two

Wipe all excessive lubrication off cradle suspension and case channels with a clean cloth. A good solvent should be used. Lubricate cradle suspension and case channels with Steelcase brush lubricant or equivalent. Areas to be cleaned are noted with arrows.



### Step Three

Lubricate lock mechanism with any standard machine oil. Make sure mechanism operates freely. Areas needing lubricating are noted with arrows.



### Step Four

Replace the cradle suspension and drawer onto the case channels and close. Reopen drawer fully and wipe excess lubrication from cradle suspension.