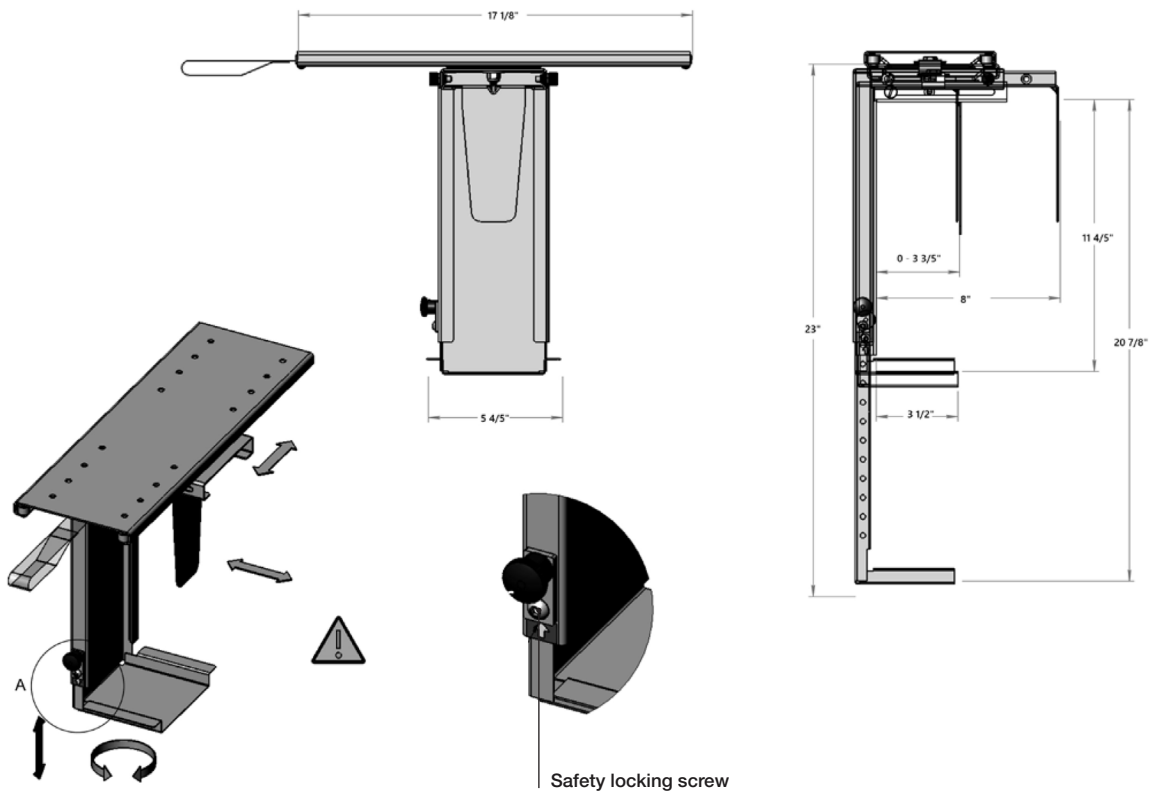
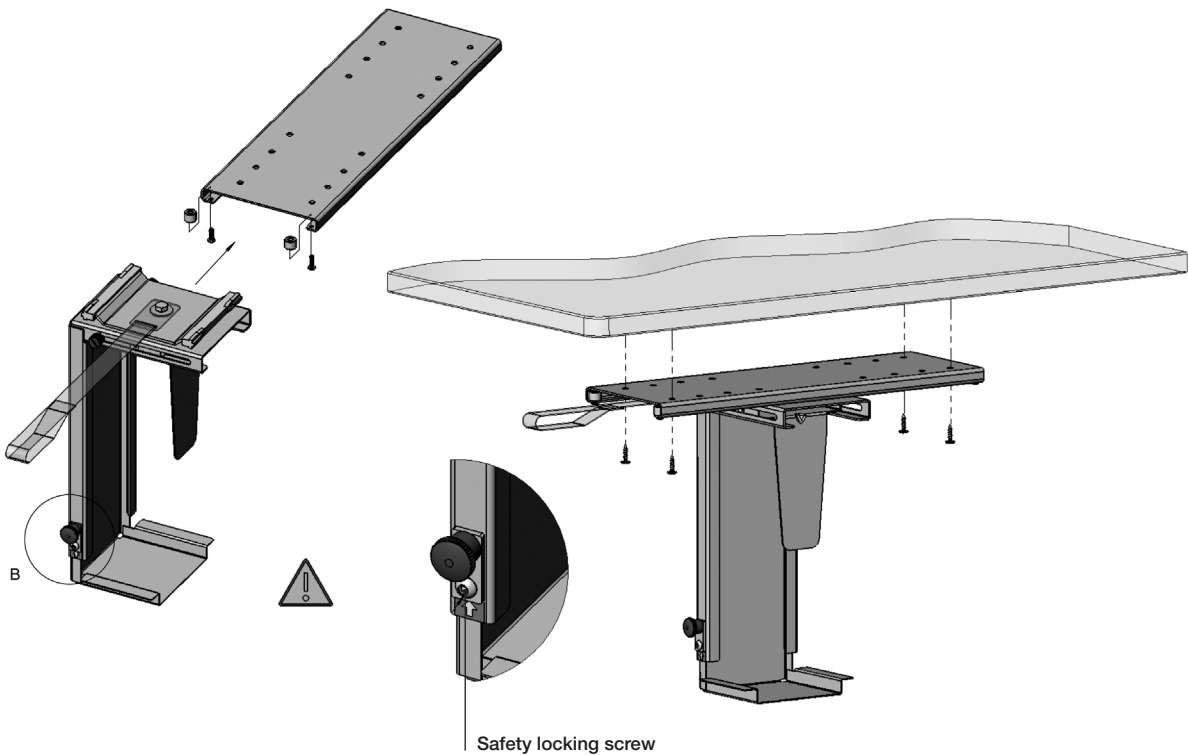


Step One



Step Two

Note: The locking screw should always be tightened after CPU is secured.



Step Three

