



January 23, 2008

Mr. Jon Lower
Oliver Technologies, Inc.
PO Box 9
Hohenwald, TN 38462
jlower@olivertechnologies.com

Subject: Use of Oliver Technologies Foundation Systems (products)

In response to your request, *Eagle River Homes, LLC* has approved the use of Oliver Technologies, Inc foundation systems as an alternative to the standard installation; piers, footings, and tie-down as detailed in the *Eagle River Homes, LLC* installation instructions and Addendums. These systems are deemed acceptable for use on new and used homes produced by *Eagle River Homes, LLC*. Approved are the following products:

- Oliver Adjustable Outriggers
- Oliver Anchoring and Stabilizing systems

These products may be used to properly secure any *Eagle River Homes, LLC* homes in Wind Zones I, II and III areas as long as the following requirements are met:

1. Allowed by the Local Jurisdiction.
2. Installed in accordance with Manufactures instructions.
3. Approved by a Registered Professional Engineer.

Mike Foster
Director of Engineering
Eagle River Homes, LLC
21 S. Groffdale Road
Leola, Pa. 17540
mfoster@eagleriverhomes.net

ADDENDUM TO INSTALLATION INSTRUCTION
"ADJUSTABLE OUTRIGGER"

The adjustable outrigger is a sidewall support device that is braced off of near chassis I-beam flange. The intended use of the adjustable outrigger is to provide localized, supplemental vertical support in place of the piers for any opening of 4' or less. Use of adjustable outrigger is limited to Middle(30 Psf) & South zones (20 Psf) roof load zones (refer to figure 3.1 of Liberty Installation manual for zone maps). This device is to be installed at the building site and is purchased by dealer or installer.

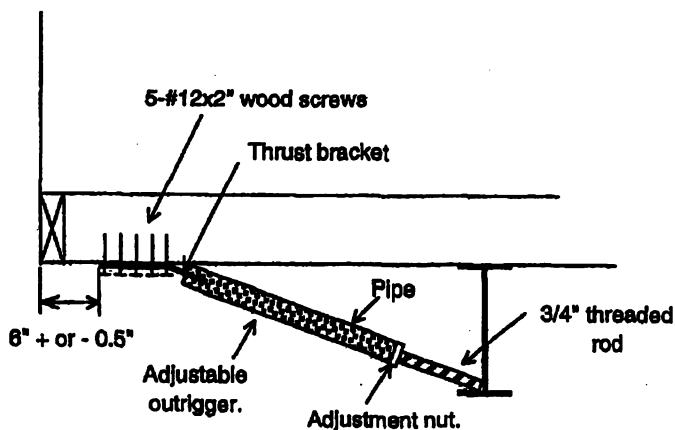
The adjustable outrigger is a three part device made of

- a) 1.5"x7"x0.25" steel bracket, marked with listing #1055-11 Preferred Cons. Inspection.
- b) Pipe - 3/4" steel pipe, ASTM A531
- c) Screw Adjustment - 3/4"x6" all threaded rod with nut that is inserted into the pipe and bears against the chassis beam lower flange.

Installation Instructions

- 1) Locate the floor joist at each side of openings (4' or less) that requires support.
- 2) Mark I-beam directly under the floor joist to align outrigger.
- 3) Adjust nut on the treaded rod so it clears the frame flange for easy adjustment.
- 4) Set the threaded rod in the pipe and against the frame.
- 5) Set the steel bracket on the floor joist and secure it with 5-#12x2" screws provided. Bottom board and adjustment may be between bracket and the board.
- 6) Align door and window openings by tightening or loosening the adjustment nut.

Note: The adjustable outriggers is to be temporary removed if the home to be retransported. These instructions are applicable ONLY to adjustable outriggers by Manufactured Housing Foundation Systems Inc. (A subsidiary of Oliver Technologies Inc.).



Page No. 90-40-0062
Date 10/1/99
Rev. A 10/21/99

Eagle River Homes

Other Acceptable Tie Down Systems

Eagle River Homes, LLC allows the use of other approved Anchoring/Stabilizing systems if the following conditions are met:

1. Allowed by the Local Jurisdiction.
2. Installed in accordance with Manufactures instructions.
3. Approved by a Registered Professional Engineer.

Such systems are manufactured by:

1. Tie Down Engineering, Atlanta, Ga.
2. Oliver Technologies, Hohenwald, TN
3. Minute Man Products, East Flat Rock, NC

It is important that the Anchoring/Stabilizing system being used is rated for the wind load in which the home is placed.

Addendum to Set Up Manual



| Revisions | | Rev. Date: | Rev. By: | Drawn By: | Title: |
|-----------|--|------------|----------|-----------|---|
| A | | | | STAFF | Alternate Anchoring/Stabilizing Systems |
| B | | | | | |
| C | | | | | |

THE INFORMATION ON THIS PAGE IS PROPRIETARY AND CONFIDENTIAL

| | | |
|--------------------|-------------------|-------------|
| Date Drawn: 1/4/07 | Page # 90-40-0200 | Sheet: Add. |
|--------------------|-------------------|-------------|



Eagle River Homes

Other Acceptable Tie Down Systems

Eagle River Homes, LLC allows the use of other approved Anchoring/Stabilizing systems if the following conditions are met:

1. Allowed by the Local Jurisdiction.
2. Installed in accordance with Manufactures instructions.
3. Approved by a Registered Professional Engineer.

Such systems are manufactured by:


1. Tie Down Engineering, Atlanta, Ga.
2. Oliver Technologies, Hohenwald, TN
3. Minute Man Products, East Flat Rock, NC

It is important that the Anchoring/Stabilizing system being used is rated for the wind load in which the home is placed.

APPROVED BY

 Feb 07, 2007
 FEDERAL MANUFACTURED HOME
 CONSTRUCTION AND SAFETY STANDARDS

Addendum to Set Up Manual

| | | | | | | | |
|--|-----------|---|------------|----------|-------------|---|------|
|  | Revisions | | Rev. Date: | Rev. By: | Drawn By: | Title: | Add. |
| | A | . | . | . | STAFF | Alternate Anchoring/Stabilizing Systems | |
| | B | . | . | . | Date Drawn: | Page # | |
| | C | . | . | . | 1/4/07 | 90-40-0200 | |
| THE INFORMATION ON THIS PAGE IS PROPRIETARY AND CONFIDENTIAL | | | | | | | |