



STONEHOUSE

T E A M

Sutton Group - West Coast Realty
emailus@stonehouseteam.com
604.255.7575

2151 Parker Street

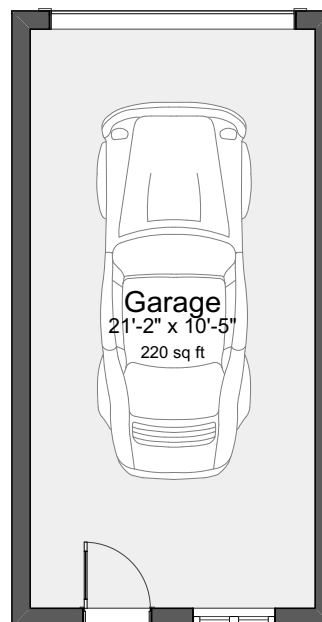
RICK STONEHOUSE PREC*
DWAYNE LAUNT PREC*
SHAUN GREGORY PREC*
KRYSTIAN THOMAS

N

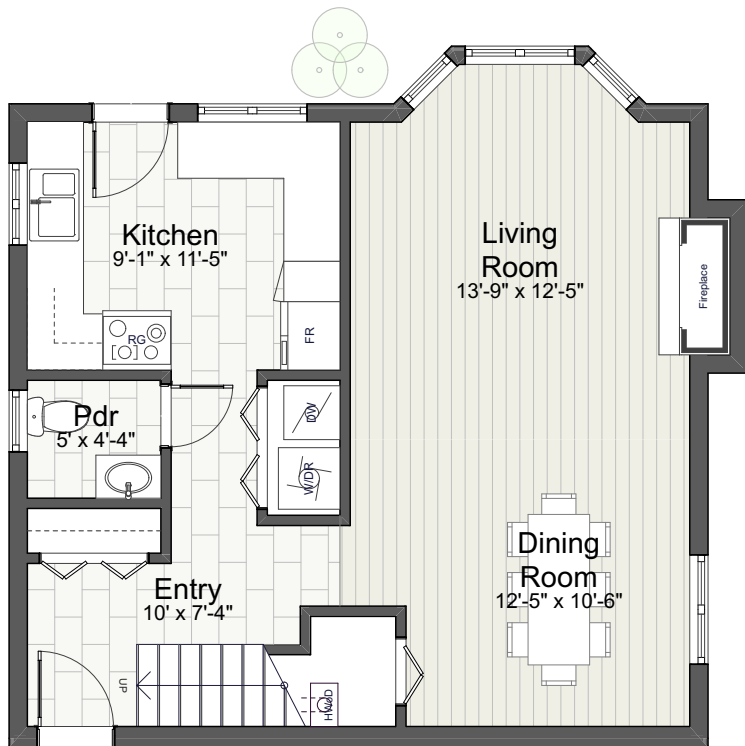


Upper Level	587
Main Level	625
1,212 sq ft	

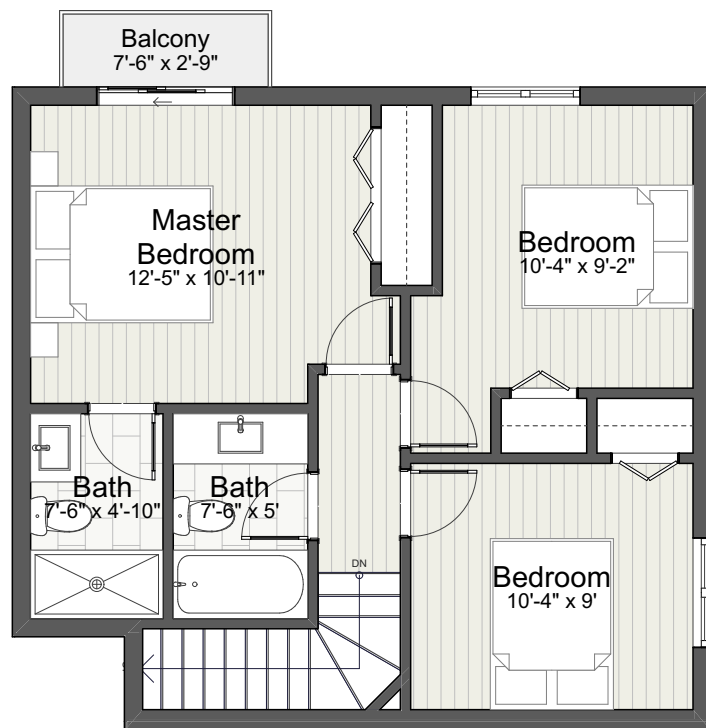
Balcony	20
Garage	220



Garage



Main Level



Upper Level