

# RHT Floor Panel System

Submittal Information



## Project Information

Job Name:

Location:

Part No. Ordered:

Engineer:

Date Submitted:

Contractor:

Submitted By:

Manufacturer's Representative:

Approved By:

## Technical Data

Overall width- 48"

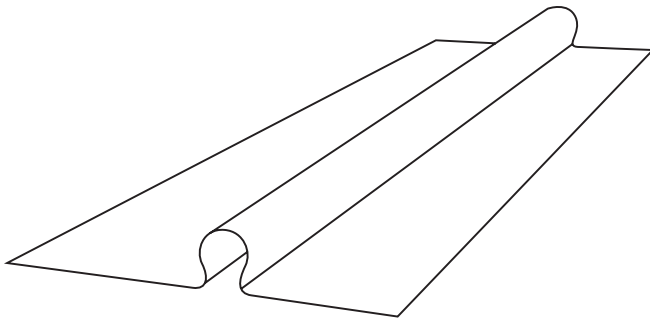
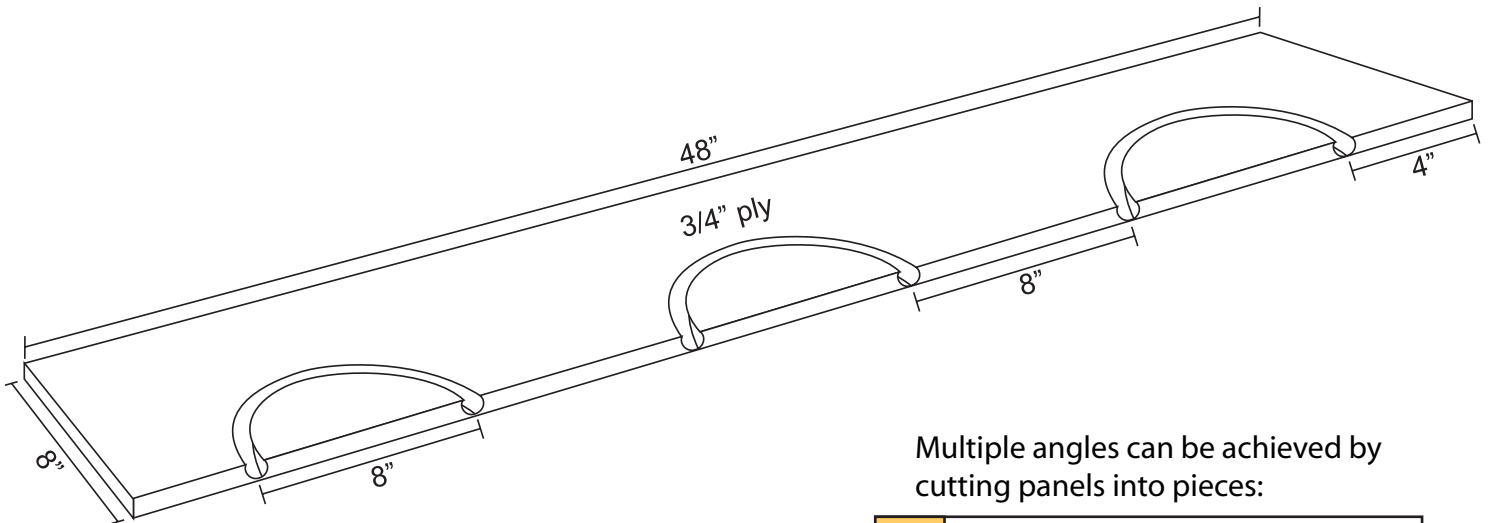
Depth- 8"

Plywood Thickness-3/4"

Fill: Rip 3/4" ply to 6" for infill. The heat transfer plate should fit loosely with a 1/2" gap left between plates.

## Product Information and Application Use

RHT Floor Panel Systems provide an easy way to attach and guide your PEX tubing effectively and cleanly. Works with 1/2" RHT PEX Tubing. Specially routed 180° turns. Infill is customer provided 3/4" plywood, ripped to 6". Heat Transfer Plates help to secure tubing on straight runs, as well as transfer energy more efficiently.



Multiple angles can be achieved by cutting panels into pieces:

