

Chongqing Gold Mechanical & Electrical Equipment Co.,Ltd.

Address: 9F/10,Jintai Building,Nanping,Nan'an Distric, Chongqing, 400060, China

Tel: 0086-23-62984892

Fax: 0086-23-62940030

Email: beruren@hy-industry.com

Skype:berurenpan

Website: www.hyoilpurifier.en.alibaba.com

Msn: beruren@live.cn

ZJA Series Double Stage High Vacuum Oil Purifier



I. Usage:

Utilized the domestic and foreign technique and innovatively designed, the filter has a good ratio of price-performance. With the advantages of high working vacuum, high filtration speed, oil quality protection, the filter advanced the oil treatment technique and equipment performance and once can raise the puncture voltage up to over 35V. The series products can be installed by sealed regular or movable with a trailer, so it is suitable to treat oil, fill oil in vacuum chamber and circulating dry hot-oil when large transformer is being installed and overhauled.

Moreover, we can also provide customers with three-stage high-vacuum oil-filter so as to get higher vacuum and to meet your higher requirement for oil-treatment.

Chongqing Gold Mechanical & Electrical Equipment Co.,Ltd.

Address: 9F/10,Jintai Building,Nanping,Nan'an Distric, Chongqing, 400060, China

Tel: 0086-23-62984892

Fax: 0086-23-62940030

Email: beruren@hy-industry.com

Skype:berurenpan

Website: www.hyoilpurifier.en.alibaba.com

Msn: beruren@live.cn

II. Product Technologic Parameters:

Item	Name of Parameter	Type Unit	ZJA1.8KY	ZJA3KY	ZJA6KY	ZJA9KY	ZJA12KY	ZJA18KY
1	Nominal flow capacity	L/min	30	50	100	150	200	300
2	Working Vacuity	Pa	≤100(Double-Stage)			≤50(3-Stage)		
3	Working pressure	Mpa	≤0.35					
4	Working temperature of Oil	°C	45-65					
5	Working power		50Hz		380V	3-Phase 4-Wire		
6	Total electric power	KW	18+2.25	30+6	2X30+6.6	3X30+8.2	4X30+10	5X30+16.5
7	Diameter of inlet outlet hose	mm	32 / 25	38 / 32	44 / 38	48 / 44	64 / 48	76 / 64
8	Appearance dimension	cm	110x95x150	160x120x210	195x145x220	200x160x230	205x160x230	215x165x240
9	Weight of product	Kg	650	900	1200	1600	2200	3000

Oil Index After Treatment

Oil Puncture Voltage	KV	≥70(Double-Stage)	≥75(3-Stage)
Water content	ppm	≤3(Double-Stage)	≤2(3-Stage)
Air content	%	≤0.2(Double-Stage)	≤0.1(3-Stage)
Filtration accuracy	µm	≤5(Double-Stage)	≤3(3-Stage)

III. Product Working Flow

Chongqing Gold Mechanical & Electrical Equipment Co.,Ltd.

Address: 9F/10,Jintai Building,Nanping,Nan'an Distic, Chongqing, 400060, China

Tel: 0086-23-62984892

Fax: 0086-23-62940030

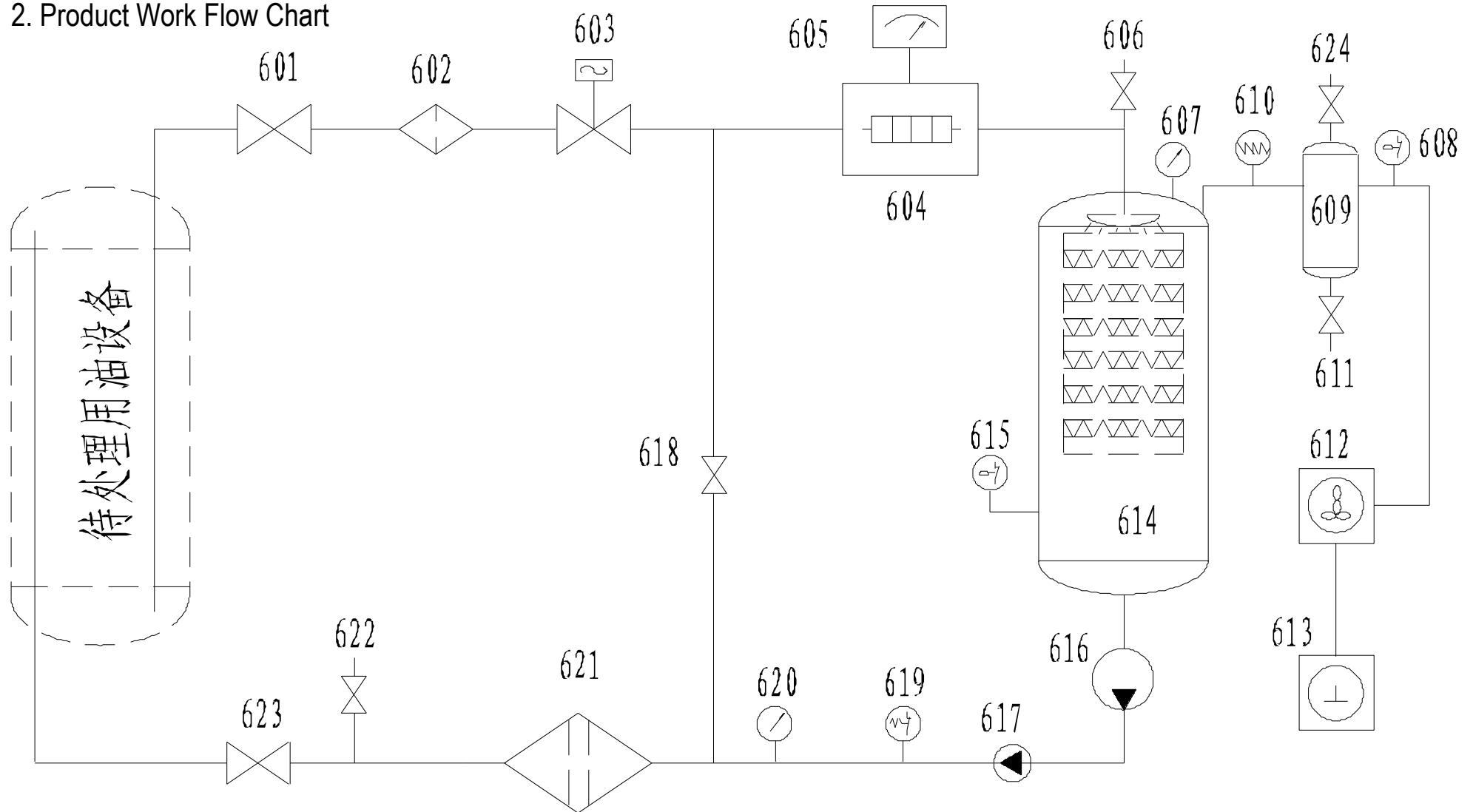
Email: beruren@hy-industry.com

Skype:berurenpan

Website: www.hyoilpurifier.en.alibaba.com

Msn: beruren@live.cn

2. Product Work Flow Chart



Chongqing Gold Mechanical & Electrical Equipment Co.,Ltd.

Address: 9F/10,Jintai Building,Nanping,Nan'an Distric, Chongqing, 400060, China

Tel: 0086-23-62984892

Fax: 0086-23-62940030

Email: beruren@hy-industry.com

Skype:berurenpan

Website: www.hyoilpurifier.en.alibaba.com

Msn: beruren@live.cn

2. Product Components Table:

Number	Component Name	Function	Note
601	Oil-in Valve	Control oil-in	
602	Rough filter	Filter out grain impurity	
603	Solenoid valve	Control Liquid Level Switch	
604	Heater	Heat the oil to be disposed	
605	Temperature control er	Control the temperature of Heater	
606	Gas Release Valve	Explode vacuum degree	
607	Vacuum Meter	Survey first degree vacuum degree	
608	Digital Switch	Oil spray prevention	The second protection switch
609	Condensator	Condense gas	
610	Vacuum Meter	Survey second degree vacuum degree	
611	Drain valve	Draw out gas and Condense water	
612	Roots pump	Extract the second degree vacuum	
613	Vacuum pump	Extract the first degree vacuum before the Roots pump	
614	Vacuum Separation Chamber	Get rid of gas and water from the oil	
615	Digital Switch	Gather liquid level signal	
616	Feeding Oil Pump	Draw out the oil in Vacuum Separation Chamber	
617	One-way valve	Feed oil in one way and prevent oil backing out	
618	Oil-return valve	For inner circulation	
619	Pressure switch	Overpressure protection	
620	Pressure Gauges	Test the pressure of Fine Filter	
621	Fine Filter	Filter out 3μ m+ impurity	

Chongqing Gold Mechanical & Electrical Equipment Co.,Ltd.

Address: 9F/10,Jintai Building,Nanping,Nan'an Distric, Chongqing, 400060, China

Tel: 0086-23-62984892

Fax: 0086-23-62940030

Email: beruren@hy-industry.com

Skype:berurenpan

Website: www.hyoilpurifier.en.alibaba.com

Msn: beruren@live.cn

622	Sample Valve	Sampling the disposed oil	
623	Oil-out valve	Control Oil-out	
624	Gas extraction valve	Extract vacuum	

3. The Equipment's Work Flow:

Equipment for the oil to be disposed 625 → Oil-in Valve 601 → Rough Filter 602 → Heater 604 → Vacuum Separation Chamber 614 → (in 3 ways):

→ Vapor → Condensator 609 → Vacuum Pump 613 → Air;

→ Vapor → Roots pump 612 → Vacuum Pump 613 → Air;

→ Oil → Feeding Oil Pump 616 → Fine Filter 621 → Oil-out Valve 623 → Flowmeter 624 → Equipment for the oil to be disposed.

4. Norms and Standard Conformed to During the Product Design, Manufacturing, Check and Accept Process

4.1. JB/T5285-2001 *Vacuum Oil-filter*.

4.2. Other standards related to in 4.1.

IV. Features of product

1. This series have one pot with two-stage vacuum-segregating space, it come into being different pressure so as to keep oil line balance between two stages.

2. The pump of this product is adopted vacuum-pump imported from Europe, which have preceding level in the world, and with high air pump speed so as to get high working vacuity.

Chongqing Gold Mechanical & Electrical Equipment Co.,Ltd.

Address: 9F/10,Jintai Building,Nanping,Nan'an Distric, Chongqing, 400060, China

Tel: 0086-23-62984892

Fax: 0086-23-62940030

Email: beruren@hy-industry.com

Skype:berurenpan

Website: www.hyoilpurifier.en.alibaba.com

Msn: beruren@live.cn

3. As the new technology, vacuum-segregating (Patent No. ZL200420061085.6) employs particular spinning disk and stainless steel machine with dehydration and air pump so that enlarge the area of segregating and coming to three-dimensional evaporation.

4. Using new type of heating equipment (Patent No. ZL02276238.8), it can reduce heating burthen and extend oil life.

5. Oil level control adopt photoelectric way which the main components is imported from Switzerland and have features of sensitive control, exactitude so much as feel the spume of oil, mount the equipment to prevent superhigh and superlow oil level. Spurting oil phenomena is never appeared. (Spurting prevention Patent No. ZL200420060973.6)

6. As the client's requirement, they could choose equipment which their components were al or partly imported from overseas. Include touching screen and flow gauge is can be selected according to customers. This series could meet different kinds of customer's need.

7. It equips filter assemblies imported from U.S.A. and it has large filtering area, strongly absorbent-dirt capability, high filtering precision.

8. Whether clients choose the oil pump from domestic or abroad, they all must be airproofed by our factory, moreover running without noise and leakage. extended oil life.