

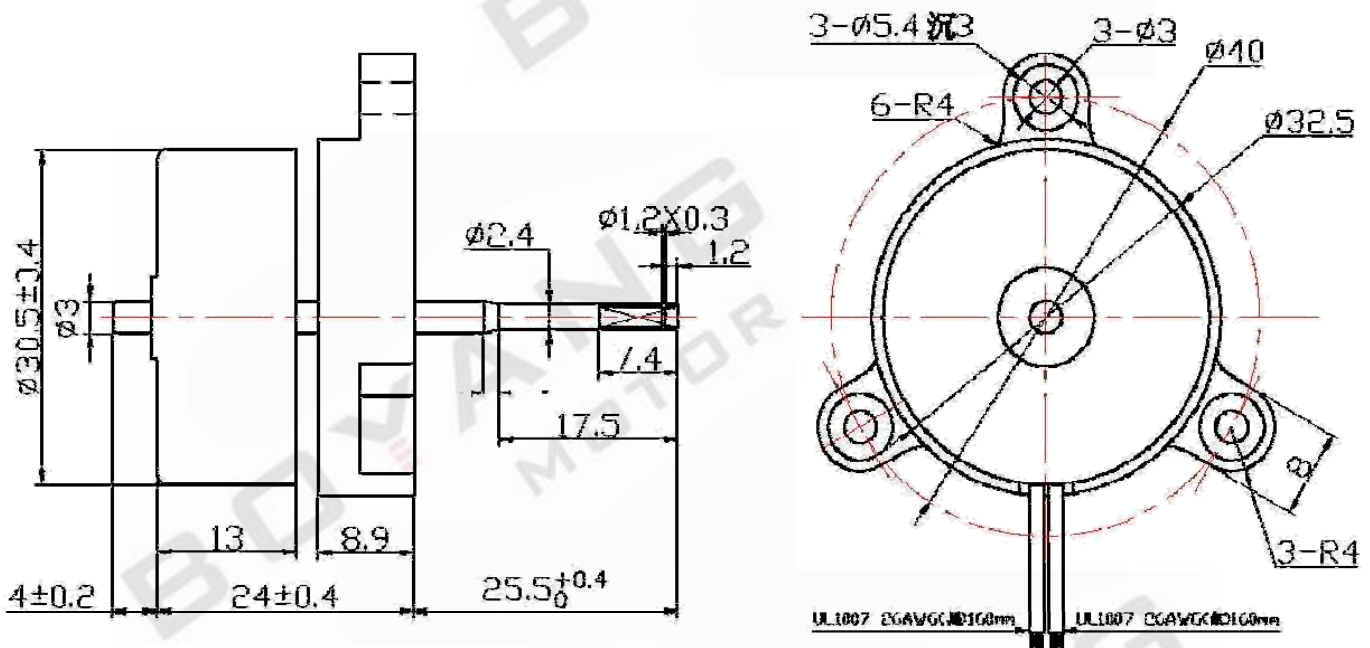
Single Phase DC brushless motor
size: 35mm power: 1-3W

BY30BL

Long Life and Highly Reliable
Compact Size with High Power Density
Size: 35mm diameter
Ball bearing or sleeve bearing
Outer rotor
Single phase
Different winding and mechanical modification



Dimensions



Specification

Model	Rated Voltage (V)	Rated Speed (RPM)	No Load Speed (RPM)	Rated Current (A)	No Load Current (A)	Rated Torque (g.cm)	Winding Type	Power (watts)	Weight (g)
BY30BL12-1	12	2500	4500	0.15	0.07	90	Y	1	
BY30BL12-2	12	1500	2700	0.15	0.07	90	Y	1	

BOYANG
MOTOR

BOYANG
MOTOR

BOYANG
MOTOR

BOYANG
MOTOR

BOYANG
MOTOR

BOYANG
MOTOR

BOYANG
MOTOR

BOYANG
MOTOR