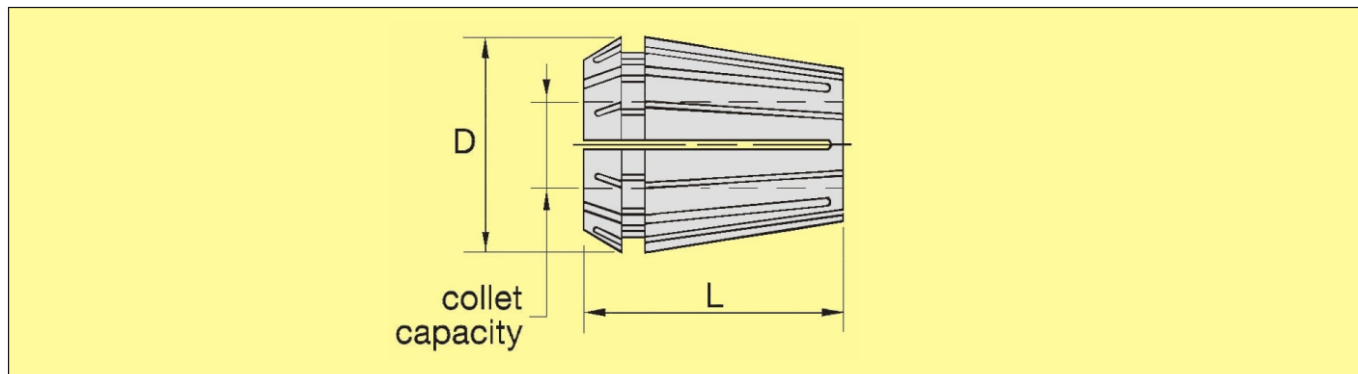


ER-Collet

DIN 6499 Class II

ER Series Collets – Metric



Manufactured to DIN 6499, Accuracy to-DIN 6499 Class II, Wide clamping range, Max.Collapse =1mm

Order Example – 16ER010M

Bonded Collets are available on request. Lock Nuts to be ordered separately along with Bonded Collets, Max.Collapse =0.13mm, Suitable for Coolant pressure upto-70 bar.

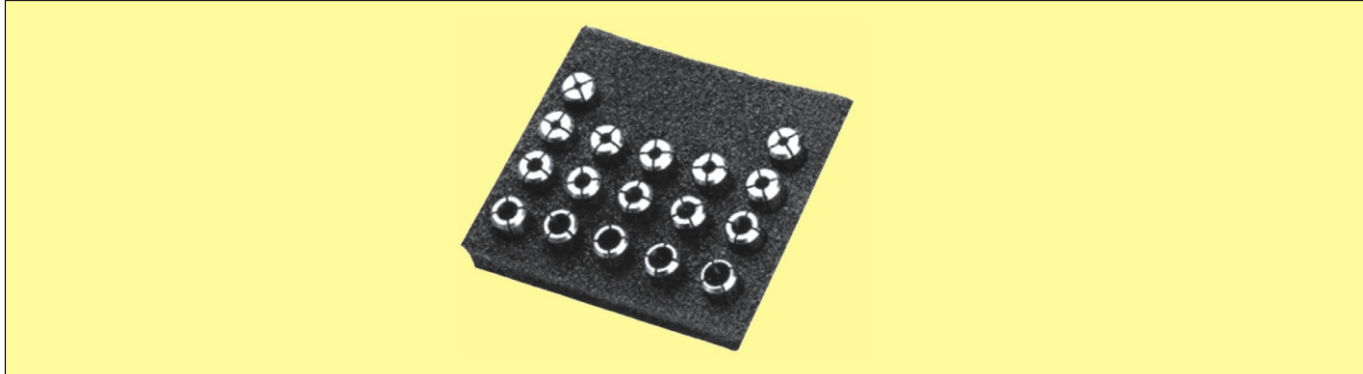
Order Example – 16ER010MB

Collet Capacity Max - Min	ER-16 D=17 L=27.5 Catalogue No	ER-20 D=21 L=31.5 Catalogue No	ER-25 D=26 L=34 Catalogue No	ER-32 D=33 L=40 Catalogue No	ER-40 D=41 L= 46 Catalogue No
1.0 – 0.5	16ER010M	20ER010M			
1.5 – 1.0	16ER015M				
2.0 – 1.0	16ER020M	20ER020M	25ER020M		
2.5 – 1.5	16ER025M				
3.0 – 2.0	16ER030M	20ER030M	25ER030M	32ER030M	
3.5 – 2.5	16ER035M				
4.0 – 3.0	16ER040M	20ER040M	25ER040M	32ER040M	40ER040M
4.5 – 3.5	16ER045M				
5.0 – 4.0	16ER050M	20ER050M	25ER050M	32ER050M	40ER050M
5.5 – 4.5	16ER055M				
6.0 – 5.0	16ER060M	20ER060M	25ER060M	32ER060M	40ER060M
6.5 – 5.5	16ER065M				
7.0 – 6.0	16ER070M	20ER070M	25ER070M	32ER070M	40ER070M
7.5 – 6.5	16ER075M				
8.0 – 7.0	16ER080M	20ER080M	25ER080M	32ER080M	40ER080M
8.5 – 7.5	16ER085M				
9.0 – 8.0	16ER090M	20ER090M	25ER090M	32ER090M	40ER090M
9.5 – 8.5	16ER095M				
10.0 – 9.0	16ER100M	20ER100M	25ER100M	32ER100M	40ER100M
11.0 – 10.0		20ER110M	25ER110M	32ER110M	40ER110M
12.0 – 11.0		20ER120M	25ER120M	32ER120M	40ER120M
13.0 – 12.0		20ER130M	25ER130M	32ER130M	40ER130M
14.0 – 13.0			25ER140M	32ER140M	40ER140M
15.0 – 14.0			25ER150M	32ER150M	40ER150M
16.0 – 15.0			25ER160M	32ER160M	40ER160M
17.0 – 16.0				32ER170M	40ER170M
18.0 – 17.0				32ER180M	40ER180M
19.0 – 18.0				32ER190M	40ER190M
20.0 – 19.0				32ER200M	40ER200M
21.0 – 20.0					40ER210M
22.0 – 21.0					40ER220M
23.0 – 22.0					40ER230M
24.0 – 23.0					40ER240M
25.0 – 24.0					40ER250M
26.0 – 25.0					40ER260M

ER-Collet

DIN 6499 Class II

ER Series Collets – Metric Set



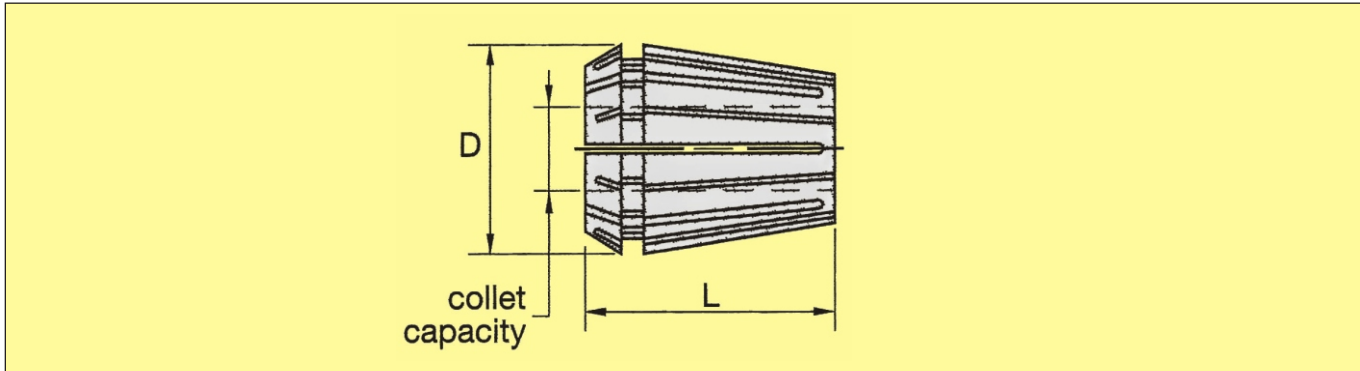
- Manufactured to DIN 6499, Accuracy to-
DIN 6499 Class II, Wide clamping range,
Max.Collapse =1mm
- Order Example – 16ERS000M

CATALOGUE NO	1-WOODEN TRAY CONSIST OF NO.-PIECES FROM – TO DIA. INCREMENTS.
16ERS000M	1.00mm to 10.00mm 1.00mm Increments
20ERS000M	12-Pieces 2.00mm to 13.00mm 1.00mm Increments
25ERS000M	15-Pieces 2.00mm to 16.00mm 1.00mm Increments
32ERS000M	18-Pieces 3.00mm to 20.00mm 1.00mm Increments
40ERS000M	23-Pieces 4.00mm to 26mm 1.00mm Increments

ER-Collet

DIN 6499 Class II

ER Series Collets – Inch



- Manufactured to DIN 6499, Accuracy to-DIN 6499 Class II, Wide clamping range, Max.Collapse =0.04"
Order Example – 16ER0062

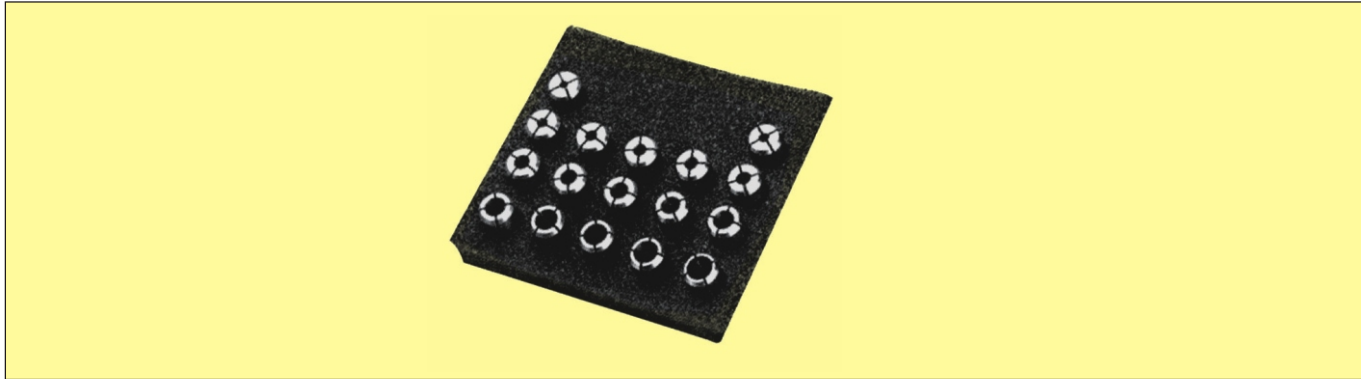
Bonded Collets are available on request. Lock Nuts to be ordered separately along with Bonded Collets, Max.Collapse =0.005", Suitable for Coolant pressure upto-1000psi
Order Example – 16ER0062B

Fraction	Collet Capacity	ER-16 D=0.669" L=1.083	ER-20 D=0.827" L=1.240	ER-25 D=1.024" L=1.339	ER-32 D=1.299" L=1.575	ER-40 D=1.614" L=1.811
1/16	0.0625-0.0225	16ER0062	20ER0062	25ER0062		
3/32	0.0938-0.0538	16ER0094	20ER0094	25ER0094		
1/8	0.1250-0.0850	16ER0125	20ER0125	25ER0125	32ER0125	40ER0125
5/32	0.1563-0.1163	16ER0156	20ER0156	25ER0156	32ER0156	40ER0156
3/16	0.1875-0.1475	16ER0188	20ER0188	25ER0188	32ER0188	40ER0188
7/32	0.2188-0.1788	16ER0219	20ER0219	25ER0219	32ER0219	40ER0219
1/4	0.2500-0.2100	16ER0250	20ER0250	25ER0250	32ER0250	40ER0250
9/32	0.2813-0.2413	16ER0281	20ER0281	25ER0281	32ER0281	40ER0281
5/16	0.3125-0.2725	16ER0312	20ER0312	25ER0312	32ER0312	40ER0312
11/32	0.3438-0.3038	16ER0344	20ER0344	25ER0344	32ER0344	40ER0344
3/8	0.3750-0.3350	16ER0375	20ER0375	25ER0375	32ER0375	40ER0375
13/32	0.4063-0.3663	16ER0406	20ER0406	25ER0406	32ER0406	40ER0406
7/16	0.4375-0.3975		20ER0438	25ER0438	32ER0438	40ER0438
15/32	0.4688-0.4288		20ER0469	25ER0469	32ER0469	40ER0469
1/2	0.5000-0.4600		20ER0500	25ER0500	32ER0500	40ER0500
17/32	0.5313-0.4913			25ER0531	32ER0531	40ER0531
9/16	0.5625-0.5225			25ER0562	32ER0562	40ER0562
19/32	0.5938-0.5538			25ER0594	32ER0594	40ER0594
5/8	0.6250-0.5850			25ER0625	32ER0625	40ER0625
21/32	0.6563-0.6163				32ER0656	40ER0656
11/16	0.6875-0.6475				32ER0688	40ER0688
23/32	0.7188-0.6788				32ER0719	40ER0719
3/4	0.7500-0.7100				32ER0750	40ER0750
25/32	0.7813-0.7413				32ER0781	40ER0781
13/16	0.8125-0.7725				32ER0812	40ER0812
27/32	0.8438-0.8038					40ER0844
7/8	0.8750-0.8350					40ER0875
29/32	0.9063-0.8663					40ER0906
15/16	0.9375-0.8975					40ER0938
31/32	0.9688-0.9288					40ER0969
1	1.0000-0.9600					40ER1000

ER-Collet

DIN 6499 Class II

ER Series Collets – Inch Set

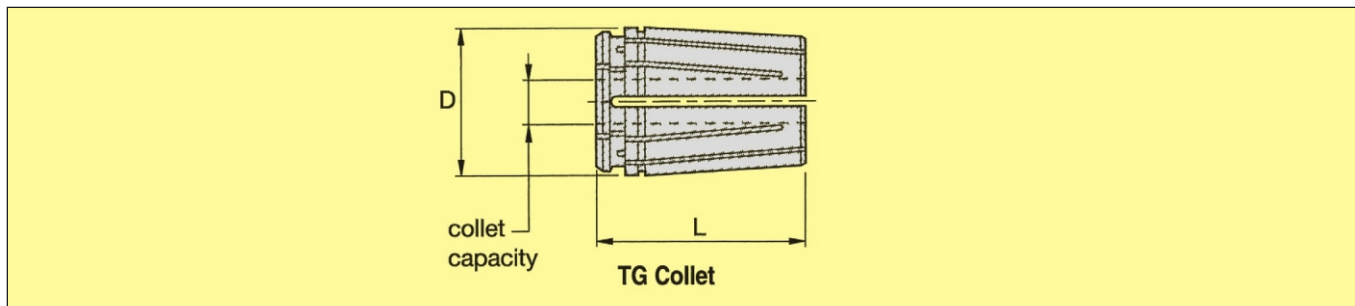


- Manufactured to DIN 6499, Accuracy to-
DIN 6499 Class II, Wide clamping range,
Max.Collapse =0.04"
- Order Example – 16ERS000SET2

CATALOGUE NO	1-WOODEN TRAY CONSIST OF NO.-PIECES FROM – TO DIA. INCREMENTS.
16ERS000SET2	12-Pieces 1/16"-13/32" 1/32" Increments
20ERS000SET1	8-Pieces 1/16"-1/2" 1/16" Increments
20ERS000SET2	15-Pieces 1/16"-1/2" 1/32" Increments
25ERS000SET1	10-Pieces 1/16"-5/8" 1/16" Increments
25ERS000SET2	19-Pieces 1/16"-5/8" 1/32" Increments
32ERS000SET1	12-Pieces 1/8"-13/16" 1/16" Increments
32ERS000SET2	23-Pieces 1/8"-13/16" 1/32" Increments
40ERS000SET1	15-Pieces 1/8"-1" 1/16" Increments
40ERS000SET2	29-Pieces 1/8"-1" 1/32" Increments

TG -COLLET

TG75 Series Collets – Metric



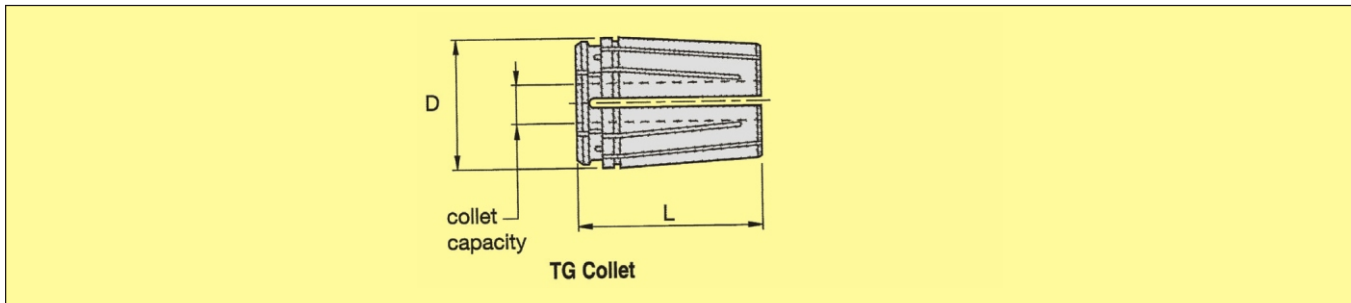
Provides tremendous Grip and accuracy for all drilling applications. Manufactured to DIN 6499 Class 2 accuracy. Grips on back taper and Margin of drill for max feed rate and more accurate hole. Max Collapse 0.4mm
 Order Example – 75TG030M

Bonded collets available on request. Rubber filled slots seal collets for coolant fed tool application. Suitable for Coolant Pressure up to 100bar. Fits all standard TG-style collet chucks. Max collapse 0.13mm
 Order Example – 75TGC060M

Collet Capacity Max - Min	75TG Standard D = 26.98 L= 46.84 Catalogue No	75TGC Coolant - Bonded D = 26.98 D = 46.84 Catalogue No
3.00	75TG030M	
3.50	75TG035M	
4.00	75TG040M	
4.50	75TG045M	
5.00	75TG050M	
5.50	75TG055M	
6.00	75TG060M	75TGC060M
6.50	75TG065M	
7.00	75TG070M	
7.50	75TG075M	
8.00	75TG080M	75TGC080M
8.50	75TG085M	
9.00	75TG090M	
9.50	75TG095M	
10.00	75TG100M	75TGC100M
10.50	75TG105M	
11.00	75TG110M	
11.50	75TG115M	
12.00	75TG120M	75TGC120M
12.50	75TG125M	
13.00	75TG130M	
13.50	75TG135M	
14.00	75TG140M	75TGC140M
14.50	75TG145M	
15.00	75TG150M	
15.50	75TG155M	
16.00	75TG160M	75TGC160M
16.50	75TG165M	
17.00	75TG170M	
17.50	75TG175M	
18.00	75TG180M	75TGC180M
18.50	75TG185M	
19.00	75TG190M	
19.50	75TG195M	
20.00	75TG200M	75TGC200M

TG -COLLET

TG75 Series Collets – Inch



- Provides tremendous Grip and accuracy for all drilling applications. Manufactured to DIN 6499 Class 2 accuracy. Grips on back taper and Margin max feed rate and more accurate hole. Max Collapse 0.016"
- Order Example – 75TG0062

Bonded collets available on request
 Rubber filled slots seal collets for coolant fed tool application. Suitable for Coolant Pressure up to of drill for 1500psi. Fits all standard TG-style collet chucks.
 Max collapse 0.005"
 Order Example – 75TGC0250

Collet Capacity	Standard D = 0.768 L = 1.438 Catalogue No	Bonded D = 0.768 L = 1.438 Catalogue No
1/16	75TG0062	
5/64	75TG0078	
3/32	75TG0094	
7/64	75TG0109	
1/8	75TG0125	
9/64	75TG0141	
5/32	75TG0156	
11/64	75TG0172	
3/16	75TG0188	
13/64	75TG0203	
7/32	75TG0219	
15/64	75TG0234	
1/4	75TG0250	75TGC0250
17/64	75TG0266	75TGC0266
9/32	75TG0281	75TGC0281
19/64	75TG0297	75TGC0297
5/16	75TG0312	75TGC0312
21/64	75TG0328	75TGC0328
11/32	75TG0344	75TGC0344
23/64	75TG0359	75TGC0359
3/8	75TG0375	75TGC0375
25/64	75TG0391	75TGC0391
13/32	75TG0406	75TGC0406
27/64	75TG0422	75TGC0422
7/16	75TG0438	75TGC0438
29/64	75TG0453	75TGC0453
15/32	75TG0469	75TGC0469
31/64	75TG0484	75TGC0484

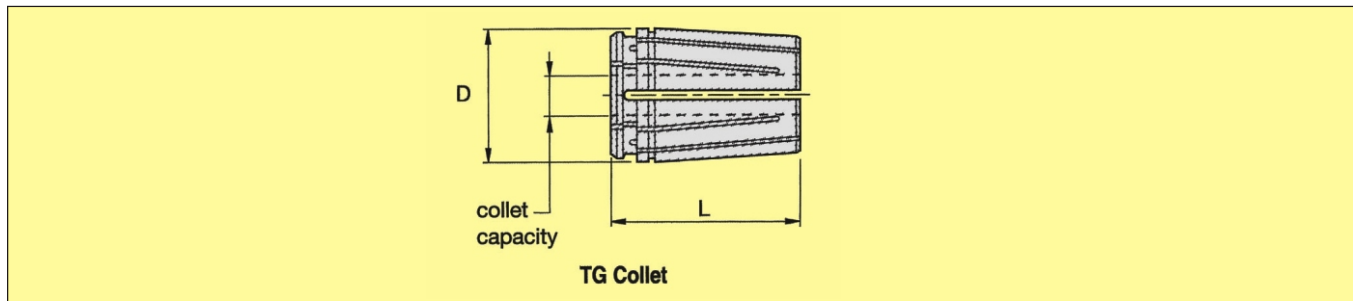
TG -COLLET

TG75 Series Collets – Inch

Collet Capacity Max - Min	75TG Standard D = 1.062 L= 1.844 Catalogue No	75TGC Coolant - Bonded D = 1.062 L= 1.844 Catalogue No
1/2	75TG0500	75TGC0500
33/64	75TG0516	75TGC0516
17/32	75TG0531	75TGC0531
35/64	75TG0547	75TGC0547
9/16	75TG0562	75TGC0562
37/64	75TG0578	75TGC0578
19/32	75TG0594	75TGC0594
39/64	75TG0609	75TGC0609
5/8	75TG0625	75TGC0625
41/64	75TG0641	75TGC0641
21/32	75TG0656	75TGC0656
43/64	75TG0672	75TGC0672
11/16	75TG0688	75TGC0688
45/64	75TG0703	75TGC0703
23/32	75TG0719	75TGC0719
47/64	75TG0734	75TGC0734
3/4	75TG0750	75TGC0750

TG -COLLET

TG100 Series Collets – Metric



- Provides tremendous Grip and accuracy for all drilling applications. Manufactured to DIN 6499 Class 2 accuracy. Grips on back taper and Margin of drill for max feed rate and more accurate hole. Max Collapse 0.4mm
- Order Example – 100TG030M

Bonded collets available on request.
 Rubber filled slots seal collets for coolant fed tool application. Suitable for Coolant Pressure up to 100bar.
 Fits all standard TG-style collet chucks.
 Max collapse 0.13mm
 Order Example – 100TGC060M

Collet Capacity Max - Min	100TG Standard D = 35.03 L= 60.33 Catalogue No	100TGC Coolant - Bonded D = 35.03 D = 60.33 Catalogue No
3.00	100TG030M	
3.50	100TG035M	
4.00	100TG040M	
4.50	100TG045M	
5.00	100TG050M	
5.50	100TG055M	
6.00	100TG060M	100TGC060M
6.50	100TG065M	
7.00	100TG070M	
7.50	100TG075M	
8.00	100TG080M	100TGC080M
8.50	100TG085M	
9.00	100TG090M	
9.50	100TG095M	
10.00	100TG100M	100TGC100M
10.50	100TG105M	
11.00	100TG110M	
11.50	100TG115M	
12.00	100TG120M	100TGC120M
12.50	100TG125M	
13.00	100TG130M	
13.50	100TG135M	
14.00	100TG140M	100TGC140M
14.50	100TG145M	
15.00	100TG150M	
15.50	100TG155M	

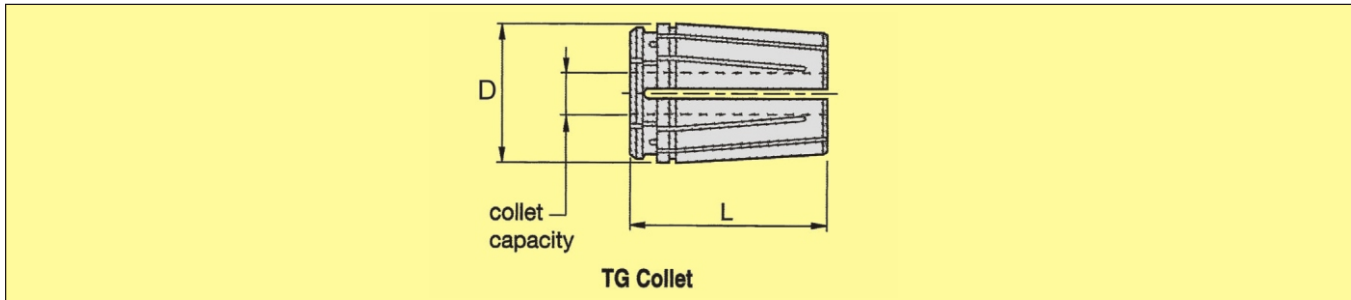
TG -COLLET

TG100 Series Collets – Metric

Collet Capacity Max - Min	100TG Standard D = 35.03 L= 60.33 Catalogue No	100TGC Coolant - Bonded D = 35.03 D = 60.33 Catalogue No
16.00	100TG160M	100TGC160M
16.50	100TG165M	
17.00	100TG170M	
17.50	100TG175M	
18.00	100TG180M	100TGC180M
18.50	100TG185M	
19.00	100TG190M	
19.50	100TG195M	
20.00	100TG200M	100TGC200M
20.50	100TG205M	
21.00	100TG210M	
21.50	100TG215M	
22.00	100TG220M	
22.50	100TG225M	
23.00	100TG230M	
23.50	100TG235M	
24.00	100TG240M	
24.50	100TG245M	
25.00	100TG250M	100TGC250M
25.50	100TG255M	

TG -COLLET

TG100 Series Collets – Inch



- Provides tremendous Grip and accuracy for all drilling applications. Manufactured to DIN 6499 Class 2 accuracy. Grips on back taper and Margin of drill for max feed rate and more accurate hole. Max Collapse 0.016"
- Order Example – 100TG0094

Bonded collets available on request.
 Rubber filled slots seal collets for coolant fed tool application. Suitable for Coolant Pressure up to 1500psi.
 Fits all standard TG-style collet chucks.
 Max collapse 0.005"
 Order Example – 100TGC0250

Collet Capacity Max - Min	100TG Standard D = 1.379 L = 2.375 Catalogue No	100TGC Coolant - Bonded D = 1.379 D = 2.375 Catalogue No
3/32	100TG0094	
7/64	100TG0109	
1/8	100TG0125	
9/64	100TG0141	
5/32	100TG0156	
11/64	100TG0172	
3/16	100TG0188	
13/64	100TG0203	
7/32	100TG0219	
15/64	100TG0234	
¼	100TG0250	100TGC0250
17/64	100TG0266	100TGC0266
9/32	100TG0281	100TGC0281
19/64	100TG0297	100TGC0297
5/16	100TG0312	100TGC0312
21/64	100TG0328	100TGC0328
11/32	100TG0344	100TGC0344
23/64	100TG0359	100TGC0359
3/8	100TG0375	100TGC0375
25/64	100TG0391	100TGC0391
13/32	100TG0406	100TGC0406
27/64	100TG0422	100TGC0422
7/16	100TG0438	100TGC0438
29/64	100TG0453	100TGC0453
15/32	100TG0469	100TGC0469
31/64	100TG0484	100TGC0484

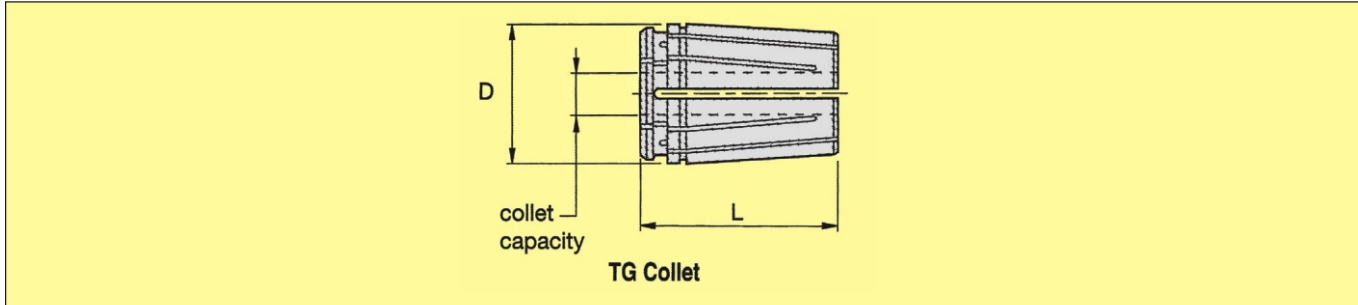
TG -COLLET

TG100 Series Collets – Inch

Collet Capacity Max - Min	100TG Standard D = 1.379 L= 2.375 Catalogue No	100TGC Coolant - Bonded D = 1.379 D = 2.375 Catalogue No
½	100TG0500	100TGC0500
33/64	100TG0516	100TGC0516
17/32	100TG0531	100TGC0531
35/64	100TG0547	100TGC0547
9/16	100TG0562	100TGC0562
37/64	100TG0578	100TGC0578
19/32	100TG0594	100TGC0594
39/64	100TG0609	100TGC0609
5/8	100TG0625	100TGC0625
41/64	100TG0641	100TGC0641
21/32	100TG0656	100TGC0656
43/64	100TG0672	100TGC0672
11/16	100TG0688	100TGC0688
45/64	100TG0703	100TGC0703
23/32	100TG0719	100TGC0719
47/64	100TG0734	100TGC0734
3/4	100TG0750	100TGC0750
49/64	100TG0766	100TGC0766
25/32	100TG0781	100TGC0781
51/64	100TG0797	100TGC0797
13/16	100TG0812	100TGC0812
53/64	100TG0828	100TGC0828
27/32	100TG0844	100TGC0844
55/64	100TG0859	100TGC0859
7/8	100TG0875	100TGC0875
57/64	100TG0891	100TGC0891
29/32	100TG0906	100TGC0906
59/64	100TG0922	100TGC0922
15/16	100TG0938	100TGC0938
61/64	100TG0953	100TGC0953
31/32	100TG0969	100TGC0969
63/64	100TG0984	100TGC0984
1	100TG1000	100TGC1000

TG -COLLET

TG150 Series Collets – Metric



- Provides tremendous Grip and accuracy for all drilling applications. Manufactured to DIN 6499 Class 2 accuracy. Grips on back taper and Margin of drill for max feed rate and more accurate hole. Max Collapse 0.4mm
- Order Example – 150TG120M

Collet Capacity	150TG Standard D = 50.83 L= 70.26 Catalogue No
12.00	150TG120M
12.50	150TG125M
13.00	150TG130M
13.50	150TG135M
14.00	150TG140M
14.50	150TG145M
15.00	150TG150M
15.50	150TG155M
16.00	150TG160M
16.50	150TG165M
17.00	150TG170M
17.50	150TG175M
18.00	150TG180M
18.50	150TG185M
19.00	150TG190M
19.50	150TG195M
20.00	150TG200M
20.50	150TG205M
21.00	150TG210M
21.50	150TG215M
22.00	150TG220M
22.50	150TG225M
23.00	150TG230M
23.50	150TG235M
24.00	150TG240M
24.50	150TG245M
25.00	150TG250M
25.50	150TG255M
26.00	150TG260M

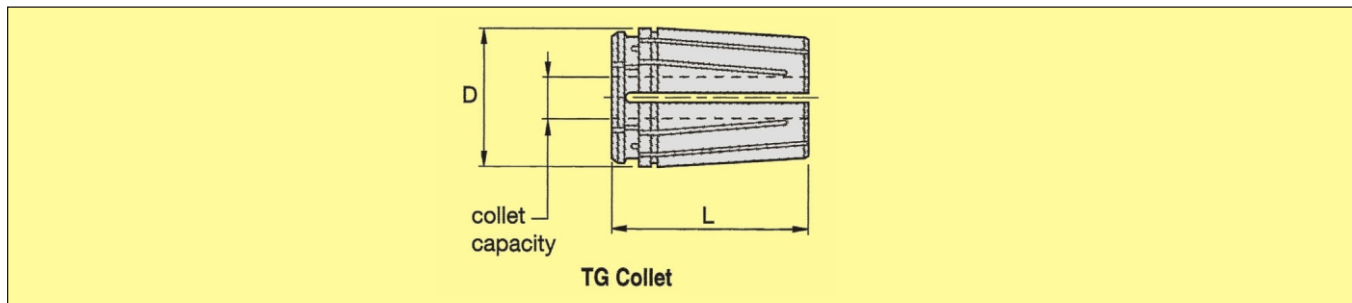
TG -COLLET

TG150 Series Collets – Metric

Collet Capacity	150TG Standard D = 50.83 L = 70.26 Catalogue No
26.50	150TG265M
27.00	150TG270M
27.50	150TG275M
28.00	150TG280M
28.50	150TG285M
29.00	150TG290M
29.50	150TG295M
30.00	150TG300M
30.50	150TG305M
31.00	150TG310M
31.50	150TG315M
32.00	150TG320M
32.50	150TG325M
33.00	150TG330M
33.50	150TG335M
34.00	150TG340M
34.50	150TG345M
35.00	150TG350M
35.50	150TG355M
36.00	150TG360M
36.50	150TG365M
37.00	150TG370M
37.50	150TG375M
38.00	150TG380M
38.50	150TG385M
39.00	150TG390M
39.50	150TG395M
40.00	150TG400M

TG-COLLET

TG150 Series Collets – Inch



- Provides tremendous Grip and accuracy for all drilling applications. Manufactured to DIN 6499 Class 2 accuracy. Grips on back taper and Margin of drill for max feed rate and more accurate hole. Max Collapse 0.016".
- Order Example – 150TG0375

Collet Capacity	150TG Standard D = 2.00 L = 3.00 Catalogue No
3/8	150TG0375
25/64	150TG0391
13/32	150TG0406
27/64	150TG0422
7/16	150TG0438
29/64	150TG0453
15/32	150TG0469
31/64	150TG0484
1/2	150TG0500
33/64	150TG0516
17/32	150TG0531
35/64	150TG0547
9/16	150TG0562
37/64	150TG0578
19/32	150TG0594
39/64	150TG0609
5/8	150TG0625
41/64	150TG0641
21/32	150TG0656
43/64	150TG0672
11/16	150TG0688
45/64	150TG0703
23/32	150TG0719
47/64	150TG0734
3/4	150TG0750
49/64	150TG0766
25/32	150TG0781
51/64	150TG0797
13/16	150TG0812
53/64	150TG0828
27/32	150TG0844
55/64	150TG0859
7/8	150TG0875
57/64	150TG0891
29/32	150TG0906
59/64	150TG0922
15/16	150TG0938

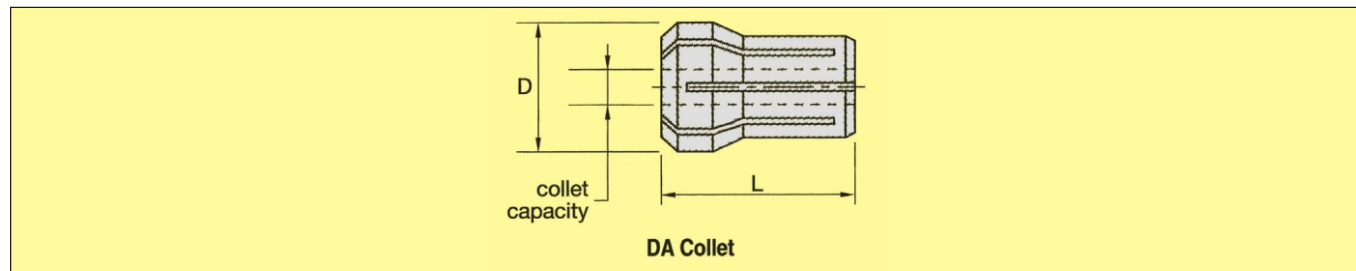
TG -COLLET

TG150 Series Collets – Inch

Collet Capacity Max - Min	150TG Standard D= 2.000 L= 3.000 Catalogue No
61/64	150TG0953
31/32	150TG0969
63/64	150TG0984
1	150TG1000
1 1/64	150TG1016
1 1/32	150TG1031
1 3/64	150TG1047
1 1/16	150TG1062
1 5/64	150TG1078
1 11/64	150TG1172
1 3/16	150TG1187
1 13/64	150TG1203
1 7/32	150TG1219
1 15/64	150TG1234
1 1/4	150TG1250
1 17/64	150TG1266
1 9/32	150TG1281
1 19/64	150TG1297
1 5/16	150TG1312
1 21/64	150TG1328
1 11/32	150TG1344
1 23/64	150TG1359
1 3/8	150TG1375
1 25/64	150TG1391
1 13/32	150TG1406
1 27/64	150TG1422
1 7/16	150TG1438
1 29/64	150TG1453
1 15/32	150TG1469
1 31/64	150TG1484
1 1/2	150TG1500

DA -COLLET

DA Double Angle Series Collets – Metric



- 300DA / 200DA / 100DA / & 180DA – Standard Collets, Max.collapse= 0.8mm
- Order Example – 300DA010M

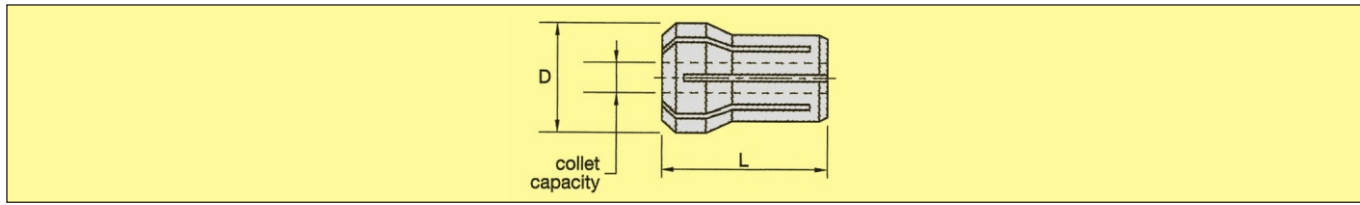
200DA / 100DA / & 180DA – Coolant Bonded Collets. available on request, fits all standard DA-style collet chucks, suitable for coolant pressure up to 70 bar, Max.collapse= 0.13mm
Order Example – 200DAC060M

Collet Capacity	300DA Standard D=9.53mm L= 25.40mm	200DA Standard D=13.69mm L= 30.18mm	200DAC Coolant - Bonded D=13.69mm L= 30.18mm	100DA Standard D=19.53mm L =36.53mm	180DAC Coolant - Bonded D =19.53mm L = 36.53mm	180DA Standard D=26.29mm L = 41.28mm	180DAC Coolant - Bonded D=26.29mm L = 41.28mm
1.0	300DA010M	200DA010M					
1.5	300DA015M	200DA015M					
2.0	300DA020M	200DA020M					
2.5	300DA025M	200DA025M		100DA025M			
3.0	300DA030M	200DA030M		100DA030M		180DA030M	
3.5	300DA035M	200DA035M		100DA035M		180DA035M	
4.0	300DA040M	200DA040M		100DA040M		180DA040M	
4.5	300DA045M	200DA045M		100DA045M		180DA045M	
5.0	300DA050M	200DA050M		100DA050M		180DA050M	
5.5	300DA055M	200DA055M		100DA055M		180DA055M	
6.0	300DA060M	200DA060M	200DAC060M	100DA060M	100DAC060M	180DA060M	180DAC060M
6.5		200DA065M		100DA065M		180DA065M	
7.0		200DA070M		100DA070M		180DA070M	
7.5		200DA075M		100DA075M		180DA075M	
8.0		200DA080M	200DAC080M	100DA080M	100DAC080M	180DA080M	180DAC080M
8.5		200DA085M		100DA085M		180DA085M	
9.0		200DA090M		100DA090M		180DA090M	
9.5		200DA095M		100DA095M		180DA095M	
10.0		200DA100M	200DAC100M	100DA100M	100DAC100M	180DA100M	180DAC100M
10.5				100DA105M		180DA105M	
11.0				100DA110M		180DA110M	
11.5				100DA115M		180DA115M	
12.0				100DA120M	100DAC120M	180DA120M	180DAC120M
12.5				100DA125M		180DA125M	
13.0				100DA130M		180DA130M	
13.5				100DA135M		180DA135M	
14.0				100DA140M	100DAC140M	180DA140M	180DAC140M
14.5						180DA145M	
15.0						180DA150M	
16.0						180DA160M	180DAC160M
16.5						180DA165M	
17.0						180DA170M	
17.5						180DA175M	
18.0						180DA180M	180DAC180M
18.5						180DA185M	
19.0						180DA190M	
19.5						180DA195M	
20.0						180DA200M	180DAC200M

DA -COLLET



DA Double Angle Series Collets – Inch



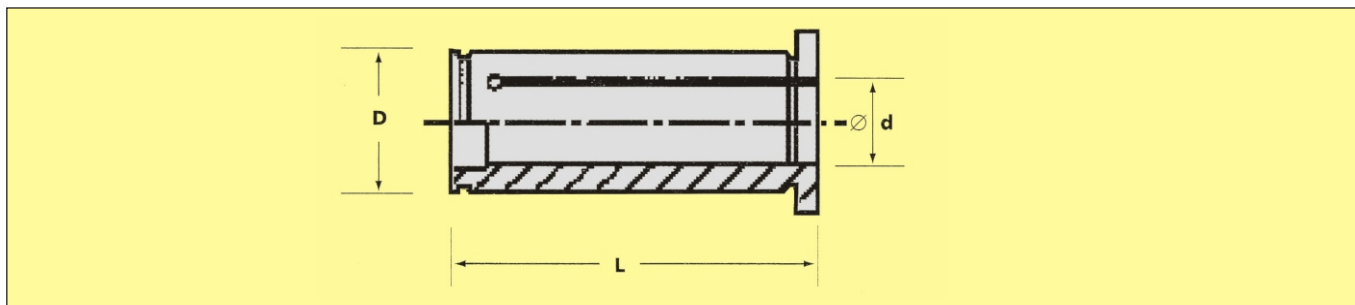
- 300DA / 200DA / 100DA / & 180DA – Standard Collets, Max.collapse= 0.031"
- Order Example – 300DA0031

300DA/200DA / 100DA / & 180DA – Coolant Bonded Collets, available on request, fits all standard DA-style collet chucks, suitable for coolant pressure up to 1000psi, Max.collapse= 0.13mm
Order Example – 300DA0250

Collet Capacity	300DA Standard D= 0.375" L= 1.000"	300DAC Coolant Bonded D= 0.375" L= 1.000"	200DA Standard D= 0.539" L= 1.188"	200DAC Coolant Bonded D= 0.539" L= 1.188"	100DA Standard D = 0.769" L = 1.438"	100DAC Coolant Bonded L= 0.769" L= 1.438"	180DA Standard Met D = 1.035" L = 1.625"	180DAC Coolant Bonded D = 1.035" L = 1.625"
1/32	300DA0031							
3/64	300DA0047		200DA0047		100DA0047		180DA0047	
1/16	300DA0062		200DA0062		100DA0062		180DA0062	
5/64	300DA0078		200DA0078		100DA0078		180DA0078	
3/32	300DA0094		200DA0094		100DA0094		180DA0094	
7/64	300DA0109		200DA0109		100DA0109		180DA0109	
1/8	300DA0125	300DAC0125	200DA0125	200DAC0125	100DA0125	100DAC0125	180DA0125	
9/64	300DA0141	300DAC0141	200DA0141	200DAC0141	100DA0141	100DAC0141	180DA0141	
5/32	300DA0156	300DAC0156	200DA0156	200DAC0156	100DA0156	100DAC0156	180DA0156	
11/64	300DA0172	300DAC0172	200DA0172	200DAC0172	100DA0172	100DAC0172	180DA0172	
3/16	300DA0188	300DAC0188	200DA0188	200DAC0188	100DA0188	100DAC0188	180DA0188	
13/64	300DA0203	300DAC0203	200DA0203	200DAC0203	100DA0203	100DAC0203	180DA0203	
7/32	300DA0219	300DAC0219	200DA0219	200DAC0219	100DA0219	100DAC0219	180DA0219	
15/64	300DA0234	300DAC0234	200DA0234	200DAC0234	100DA0234	100DAC0234	180DA0234	
1/4	300DA0250	300DAC0250	200DA0250	200DAC0250	100DA0250	100DAC0250	180DA0250	180DAC0250
17/64			200DA0266	200DAC0266	100DA0266	100DAC0266	180DA0266	180DAC0266
9/32			200DA0281	200DAC0281	100DA0281	100DAC0281	180DA0281	180DAC0281
19/64			200DA0297	200DAC0297	100DA0297	100DAC0297	180DA0297	180DAC0297
5/16			200DA0312	200DAC0312	100DA0312	100DAC0312	180DA0312	180DAC0312
21/64			200DA0328	200DAC0328	100DA0328	100DAC0328	180DA0328	180DAC0328
11/32			200DA0344	200DAC0344	100DA0344	100DAC0344	180DA0344	180DAC0344
23/64			200DA0359	200DAC0359	100DA0359	100DAC0359	180DA0359	180DAC0359
3/8			200DA0375	200DAC0375	100DA0375	100DAC0375	180DA0375	180DAC0375
25/64			200DA0391	200DAC0391	100DA0391	100DAC0391	180DA0391	180DAC0391
13/32					100DA0406	100DAC0406	180DA0406	180DAC0406
27/64					100DA0422	100DAC0422	180DA0422	180DAC0422
7/16					100DA0438	100DAC0438	180DA0438	180DAC0438
29/64					100DA0453	100DAC0453	180DA0453	180DAC0453
15/32					100DA0469	100DAC0469	180DA0469	180DAC0469
31/64					100DA0484	100DAC0484	180DA0484	180DAC0484
1/2					100DA0500	100DAC0500	180DA0500	180DAC0500
33/64					100DA0516	100DAC0516	180DA0516	180DAC0516
17/32					100DA0531	100DAC0531	180DA0531	180DAC0531
35/64					100DA0547	100DAC0547	180DA0547	180DAC0547
9/16					100DA0562	100DAC0562	180DA0562	180DAC0562
37/64							180DA0578	180DAC0578
19/32							180DA0594	180DAC0594
39/64							180DA0609	180DAC0609
5/8							180DA0625	180DAC0625
41/64							180DA0641	180DAC0641
21/32							180DA0656	180DAC0656
43/64							180DA0672	180DAC0672
11/16							180DA0688	180DAC0688
45/64							180DA0703	180DAC0703
23/32							180DA0719	180DAC0719
47/64							180DA0734	180DAC0734
3/4							180DA0750	180DAC0750

Hydraulic Chuck Reduction Sleeve

Reduction Sleeve – Metric



- Reduction Hydraulic Chuck Sleeve Metric.
- `Order Example – 12HC030M
- Reduction Hydraulic Chuck Sleeve in INCH / IMPERIAL bore sizes available on request

Catalogue No.	For Hydraulic Chuck Bore Dia.	D	d	L
12HC-030M	12	12	3	42
12HC-040M		12	4	
12HC-050M		12	5	
12HC-060M		12	6	
12HC-080M		12	8	
12HC-100M		12	10	
20HC-060M	20	20	6	57
20HC-080M		20	8	
20HC-100M		20	10	
20HC-120M		20	12	
20HC-140M		20	14	
20HC-160M		20	16	
32HC-060M	32	32	6	65
32HC-080M		32	8	
32HC-100M		32	10	
32HC-120M		32	12	
32HC-140M		32	14	
32HC-160M		32	6	
32HC-180M		32	18	
32HC-200M		32	20	
32HC-250M		32	25	