

# FUERDA PI Series Chucks

PI Series medium duty and heavy duty 4-Jaw Independent Chucks are designed to grip round or odd shaped work.

Medium duty chucks have a semi-steel body and hard solid reversible jaws. Solid jaws are made of high quality carbon steel and they are hardened.

4- jaw semi-steel body lathe chucks with hard solid reversible jaws.

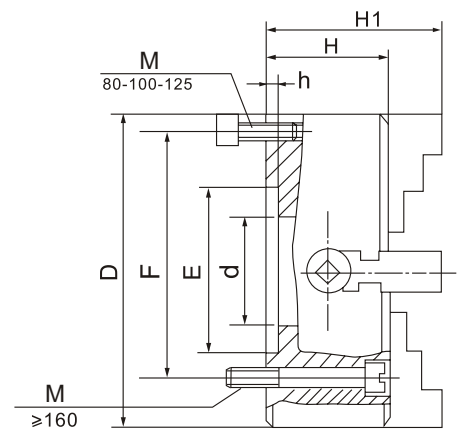


## PI Series 4-Jaw Independent Chucks Semi-steel Body, Solid Reversible Jaws

### PI Series 4-Jaw Independent Plain Back Chucks Semi-steel Body Plan Back Mount, Solid Reversible Jaws

#### Standard Accessories:

- 1 set of hard solid reversible jaws
- 1 wrench
- 1set of mounting screws



Chuck Dia.(D)	E	F	Hole(d)	H	H1	h	z-d		Model	Part No .
							Thread	Qty.		
3-1/4"	2.165	2.598	0.866	1.654	2.283	0.138	M6	4	PI4-3"	1-302-0300
4"	2.835	3.307	0.984	2.126	3.031	0.157	M8	4	PI4-4"	1-302-0400
5"	3.740	4.252	1.181	2.205	3.071	0.177	M8	4	PI4-5"	1-302-0500
6-1/4"	2.559	3.740	1.772	2.559	3.799	0.196	M10	4	PI4-6"	1-302-0600
8"	2.953	3.740	2.205	2.953	4.331	0.236	M10	4	PI4-8"	1-302-0800
10"	4.331	5.118	2.953	3.150	4.547	0.236	M12	4	PI4-10"	1-302-1000
12-1/2"	5.512	6.496	3.740	3.543	5.276	0.236	M16	4	PI4-12"	1-302-1200
14"	5.118	6.614	3.150	3.740	5.709	0.315	M16	4	PI4-14"	1-302-1400
15-3/4"	6.299	7.283	4.921	3.740	5.629	0.315	M16	4	PI4-16"	1-302-1600
20"	7.874	9.291	6.299	4.173	6.339	0.315	M20	4	PI4-20"	1-302-2000
25"	8.661	10.157	7.087	4.528	7.087	0.394	M20	4	PI4-25"	1-302-2500
32"	9.843	11.811	8.268	5.315	8.268	0.472	M20	8	PI4-32"	1-302-3200
40"	12.598	14.567	10.236	5.906	9.488	0.591	M20	8	PI4-40"	1-302-4000
50"	15.748	19.685	12.008	6.496	10.074	0.591	M20	8	PI4-50"	1-302-5000
55"	15.748	19.685	12.008	6.102	9.685	0.591	M20	8	PI4-55"	1-302-5500

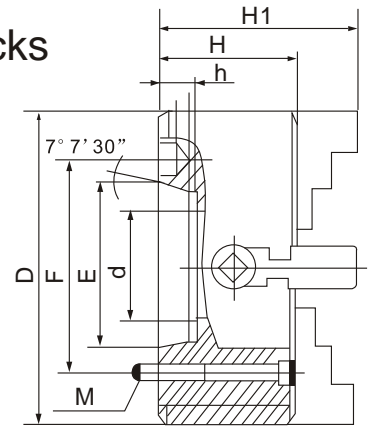
## PI Series 4-Jaw Independent Type A1/A2, Direct Mount Chucks Semi-steel Body Direct Mount, Solid Reversible Jaws



Type A

### Standard Accessories:

- 1 set of hard solid reversible jaws
- 1 wrench
- 1 set of mounting screws



Chuck Dia.(D)	Taper No.	E	F	d	H1	H	h	(M) Spindle Mounting Bolts			Model	Part No.
								Thread	L	Qty.		
8"	A2-5	3.251	4.125	2.205	4.331	2.953	0.512	7/16"-14	3-1/8	4	PI4-8"/A2-5	1-312-0805
	A2-5	3.251	4.125	2.205			0.512	7/16"-14	3-1/8	4	PI4-10"/A2-5	1-312-1005
10"	A2-6	4.188	5.250	2.953	4.547	3.150	0.591	1/2"-13	3-1/8	4	PI4-10"/A2-6	1-312-1006
	A2-8	5.501	6.750				0.709	5/8"-11	3-3/8	4	PI4-10"/A2-8	1-312-1008
12-1/2"	A2-5	3.251	4.125	2.953	5.276	3.543	0.512	7/16"-14	3-1/2	4	PI4-12"/A2-5	1-312-1205
	A2-6	4.188	5.250				0.591	1/2"-13	3-1/2	4	PI4-12"/A2-6	1-312-1206
	A2-8	5.501	6.750				0.709	5/8"-11	3-1/4	4	PI4-12"/A2-8	1-312-1208
15-3/4"	A2-6	4.188	5.250	3.740	5.630	3.740	0.591	1/2"-13	4	4	PI4-16"/A2-6	1-312-1606
	A2-8	5.501	6.750	4.921			0.709	5/8"-11		4	PI4-16"/A2-8	1-312-1608
20"	A2-11	7.751	9.252	6.299	6.339	4.173	0.787	3/4"-10	4-1/2	4	PI4-16"/A2-11	1-312-1611
	A2-8	5.501	6.750	5.366			0.709	5/8"-11		4	PI4-20"/A2-8	1-312-2008
25"	A2-11	7.751	9.252	6.299	7.087	4.528	0.787	3/4"-10	5-5/16	4	PI4-20"/A2-11	1-312-2011
	A2-15	11.251	13.000	9.488			0.827	7/8"-9		4	PI4-25"/A2-15	1-312-2515
32"	A2-11	7.751	9.252	7.087	8.268	5.315	0.787	3/4"-10	5-7/8	8	PI4-32"/A2-11	1-312-3211
	A2-15	11.251	13.000	7.087			0.827	7/8"-9	6-1/8	8	PI4-32"/A2-15	1-312-3215
40"	A2-11	7.751	9.252	7.087	9.488	5.906	0.787	3/4"-10	7-3/32	8	PI4-40"/A2-11	1-312-4011
	A2-15	11.251	13.000	11.024			0.827	7/8"-9	7-3/32	8	PI4-40"/A2-15	1-312-4015

## PI Series 4-Jaw Independent Type D1, Direct Mount Chucks Semi-steel Body Direct Mount, Solid Reversible Jaws

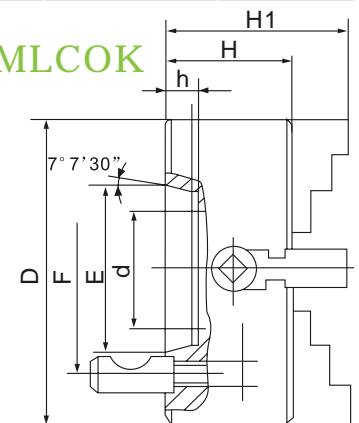


Type D

### Standard Accessories:

- 1 set of hard solid reversible jaws
- 1 wrench
- 1 set of mounting screws

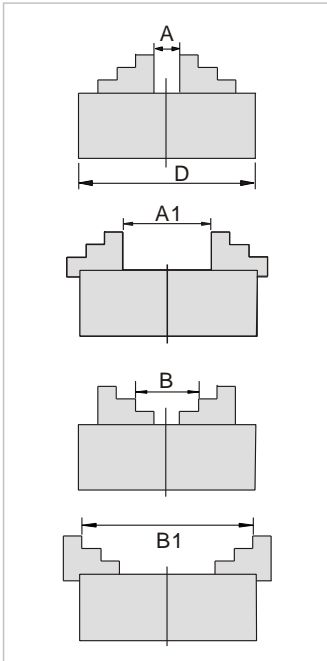
CAMLOCK



Chuck Dia.(D)	Taper No.	E	F	d	H1	H	h	Camlock Studs			Model	Part No.
								Dia.	Thread	Qty.		
8"	D1-4	2.501	3.252	2.205	4.331	2.953	0.5118	5/8	M10x1	3	PI4-8"/D1-4	1-322-0804
	D1-5	3.251	4.126				0.5906	3/4	M12x1	6	PI4-8"/D1-5	1-322-0805
10"	D1-4	2.501	3.252	2.205	4.547	3.150	0.5118	5/8	M10x1	3	PI4-10"/D1-4	1-322-1004
	D1-5	3.251	4.126				0.5906	3/4	M12x1	6	PI4-10"/D1-5	1-322-1005
12-1/2"	D1-6	4.188	5.252	2.953	5.276	3.543	0.6299	7/8	M16x1.5	6	PI4-10"/D1-6	1-322-1006
	D1-8	5.501	6.748				0.7087	1	M20x1.5	6	PI4-12"/D1-6	1-322-1206
15-3/4"	D1-6	4.188	5.252	2.953	5.630	3.740	0.6299	7/8	M16x1.5	6	PI4-12"/D1-8	1-322-1208
	D1-8	5.501	6.748				0.7087	1	M20x1.5	6	PI4-16"/D1-6	1-322-1606
20"	D1-11	7.751	9.252	6.299	6.339	4.173	0.7874	1-3/16	M22x1.5	6	PI4-16"/D1-8	1-322-1608
	D1-8	5.501	6.750	4.921			0.7874	1	M20x1.5	6	PI4-16"/D1-11	1-322-1611
25"	D1-11	7.751	9.252	6.299	7.087	4.528	0.7874	1-3/16	M22x1.5	6	PI4-20"/D1-8	1-322-2008
	D1-11	7.751	9.252	7.087			0.7874	1-3/16	M22x1.5	6	PI4-20"/D1-11	1-322-2011

# SPARE PART FOR PI Series

## 4 Jaw Independent Chucks



### Clamping Range

Chuck Dia.(D)	Internal Jaw Clamping range	External Jaw Clamping range
3-1/4"	0.197-1.378	1.378-3.150
4"	0.236-1.772	1.575-3.937
5"	0.276-2.244	1.890-4.921
6-1/4"	0.315-3.150	1.969-6.299
8"	0.394-3.937	2.480-7.874
10"	0.591-5.118	3.150-9.843
12-1/2"	0.787-6.929	3.937-12.402
15-3/4"	0.984-9.843	4.646-15.748
20"	1.378-11.811	4.921-19.685
25"	1.969-15.748	6.299-24.803
32"	2.756-21.260	7.874-31.496
40"	3.937-26.772	9.843-39.370
50"	4.921-32.283	11.811-49.213
55"	6.299-37.795	13.780-54.331



Chuck Dia.(D)	Hard Solid Reversible Jaw	Soft Solid Jaw	Operating Screw	Thrust Bearing	Wrench
3-1/4"	RJ-PI-80	SJ-PI-80	OS-PI-80	TB-PI-80	W-PI-80
4"	RJ-PI-100	SJ-PI-100	OS-PI-100	TB-PI-100	W-PI-100
5"	RJ-PI-125	SJ-PI-125	OS-PI-125	TB-PI-125	W-PI-125
6-1/4"	RJ-PI-160	SJ-PI-160	OS-PI-160	TB-PI-160	W-PI-160
8"	RJ-PI-200	SJ-PI-200	OS-PI-200	TB-PI-200	W-PI-200
10"	RJ-PI-250	SJ-PI-250	OS-PI-250	TB-PI-250	W-PI-250
12-1/2"	RJ-PI-315	SJ-PI-315	OS-PI-315	TB-PI-315	W-PI-315
15-3/4"	RJ-PI-400	SJ-PI-400	OS-PI-400	TB-PI-400	W-PI-400
20"	RJ-PI-500	SJ-PI-500	OS-PI-500	TB-PI-500	W-PI-500
25"	RJ-PI-630	SJ-PI-630	OS-PI-630	TB-PI-630	W-PI-630
32"	RJ-PI-800	SJ-PI-800	OS-PI-800	TB-PI-800	W-PI-800
40"	RJ-PI-1000	SJ-PI-1000	OS-PI-1000	TB-PI-1000	W-PI-1000
50"	RJ-PI-1250	SJ-PI-1250	OS-PI-1250	TB-PI-1250	W-PI-1250
55"	RJ-PI-1400	SJ-PI-1400	OS-PI-1400	TB-PI-1400	W-PI-1400