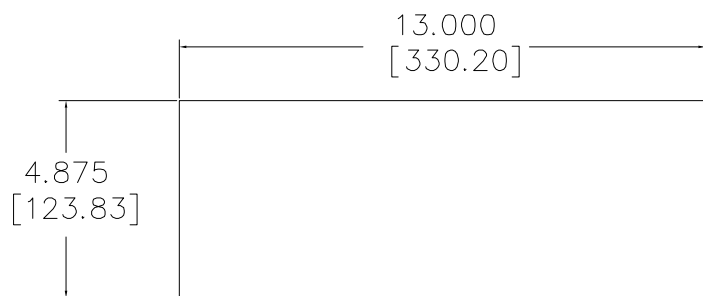
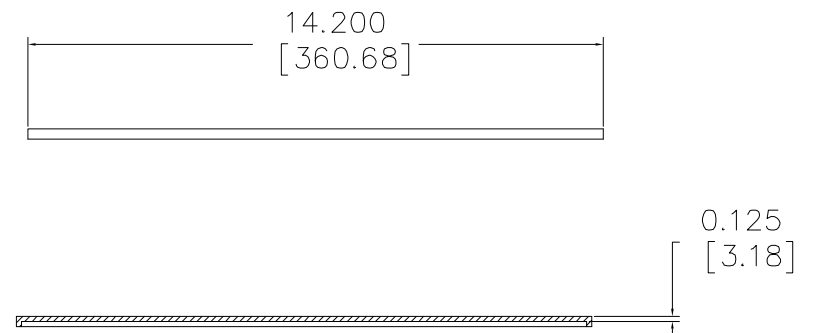
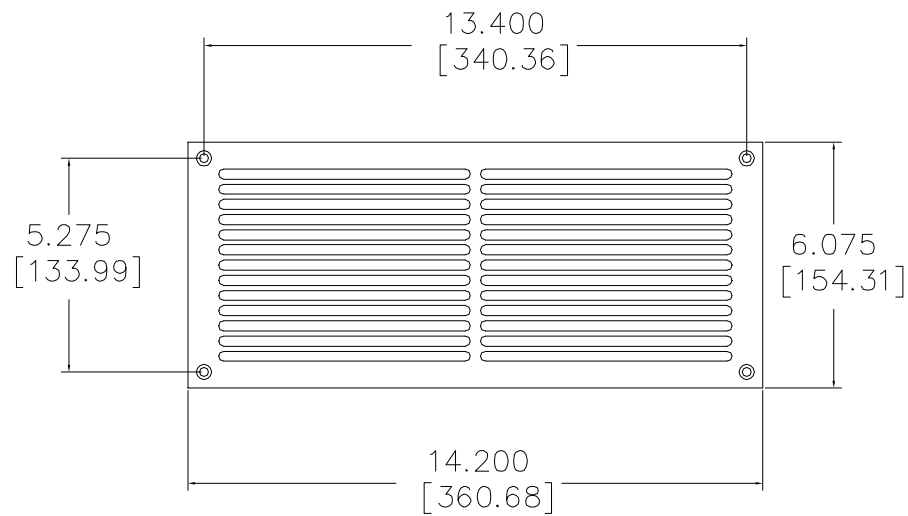
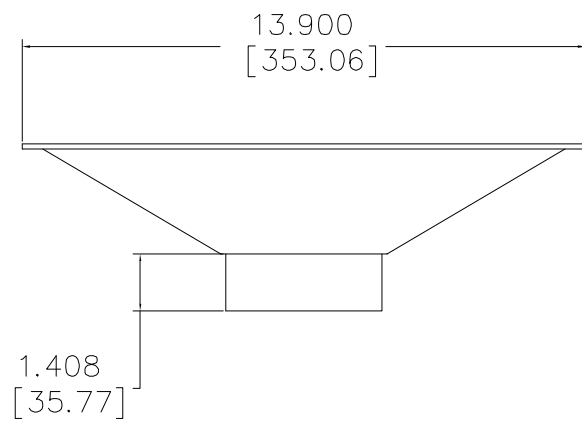
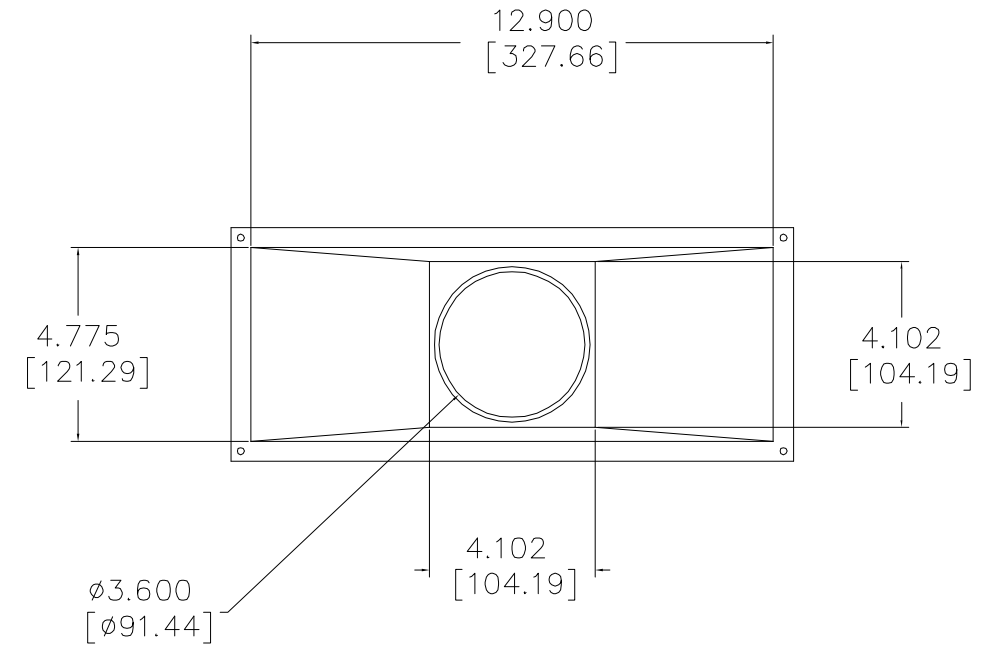
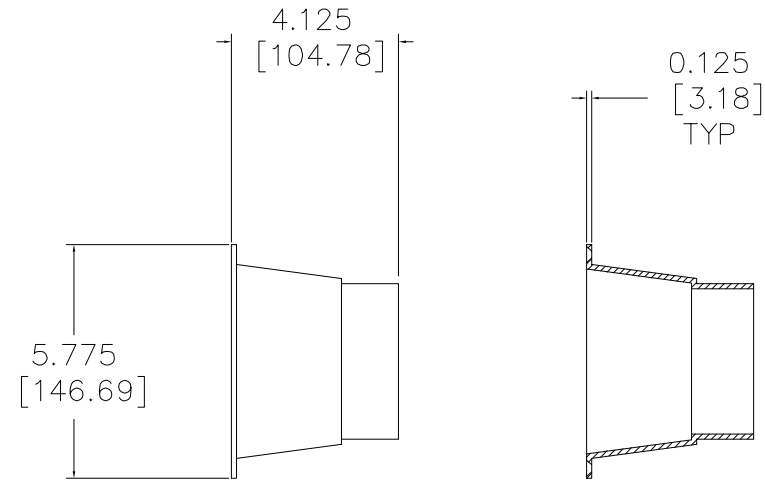
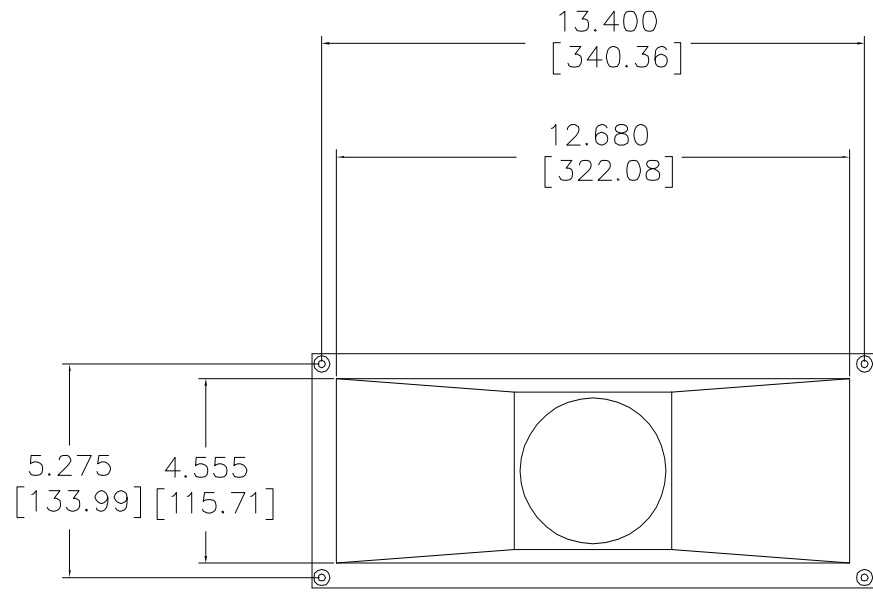


REVISIONS				
ECD	REV.	DESCRIPTION	DATE	APPROVED
	A	RELEASE FOR PRODUCTION	01-19-07	



CUT OUT DIMENSIONS

- NOTES:**
- 1.MATERIAL: 0.125 ALUMINUM  
FINISH: BALCK POWDER COATED  
UNLESS OTHERWISE SPECIFIED
  2. PART TO BE FREE OF COSMETIC BLEMISHES
  3. CLEAN SHARP EDGES

<b>JAMES LOUDSPEAKER</b>	
<b>6 X 14 TOEKICK</b>	
4.875" X 13" CUTOUT TOE-KICK-EXT.DIMS	
P/N: TK4S-6X14	DWR #: 080408-A00
REVISED BY:	
DRAWN BY: M. GALLES	FILE:
DATE: 04-08-08	SCALE:
APPROVED:	
DRAFTING APPROVED:	
<b>DO NOT SCALE DRAWING</b>	
<b>DRAWING NOT TO BE USED FOR CNC</b>	
TOLERANCES: ANG: ± = .5° FRACT. ± = 1/32	
DECIMALS: .XX ± = .01 .XXX ± = .005	
<b>REVISION: A</b>	SHEET 1 OF 1