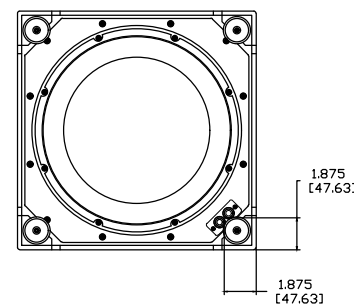
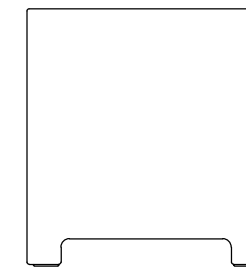
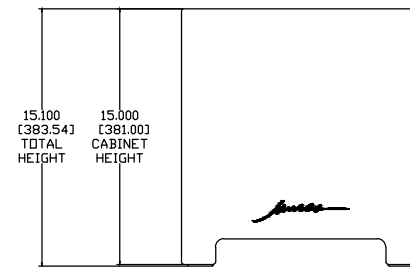
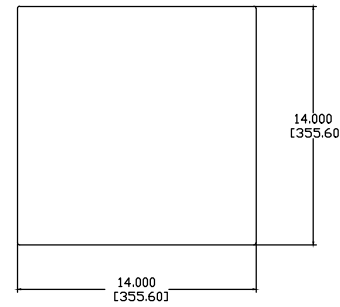
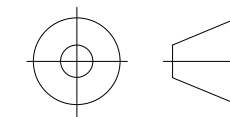


REVISIONS				
ECN	REV.	DESCRIPTION	DATE	APPROVED
	A	RELEASE FOR PRODUCTION	04-10-13	
	B	ADDED RUBBER FEET	02-16-17	
19015	C	ASSIGNED NEW DRAWING NUMBER DRAWING UPDATED, FEET REVISED	04-25-19	
21026	D	UPDATE TO PG11 GLAND HOUSING MATERIAL THICKNESS UPDATED	05-06-21	



NOTES:

- 1: MATERIAL - 5052 ALUMINUM  
UNLESS OTHERWISE SPECIFIED
- 2: FINISH - TBD



"THIRD ANGLE" PROJECTION

PROPRIETARY INFORMATION THE DESIGNS, INFORMATION, AND DATA CONTAINED HEREIN ARE PROPRIETARY AND ARE SUBMITTED IN CONFIDENCE, AND SHALL NOT BE DISCLOSED, USED OR DUPLICATED IN WHOLE OR IN PART, FOR ANY PURPOSES WHATSOEVER, WITHOUT THE PRIOR WRITTEN PERMISSION OF JAMES LOUDSPEAKER LLC, 2185 PARK PL, MINDEN, NV 89423. THIS LEGEND SHALL BE MARKED ON ANY REPRODUCTIONS HEREOF IN WHOLE OR IN PART. RECEIPT OF THIS DOCUMENT SHALL BE DEEMED TO BE AN ACCEPTANCE OF THE CONDITIONS SPECIFIED HEREIN.	JAMES LOUDSPEAKER
	EMB12-DF
	EXTERNAL DIMENSIONS
	P/N: -
	DWR #: 190425-S301
	REVISED BY: P. KADLEC
	DRAWN BY: M. PARK
	DATE: 04-10-13
	APPROVED:
	DRAFTING APPROVED:
SCALE:	
TOLERANCES: ANG: ± = .5° FRACT. ± = 1/32	
DECIMALS: .XX ± = .01 .XXX ± = .005	
REVISION: D	SHEET 1 OF 4