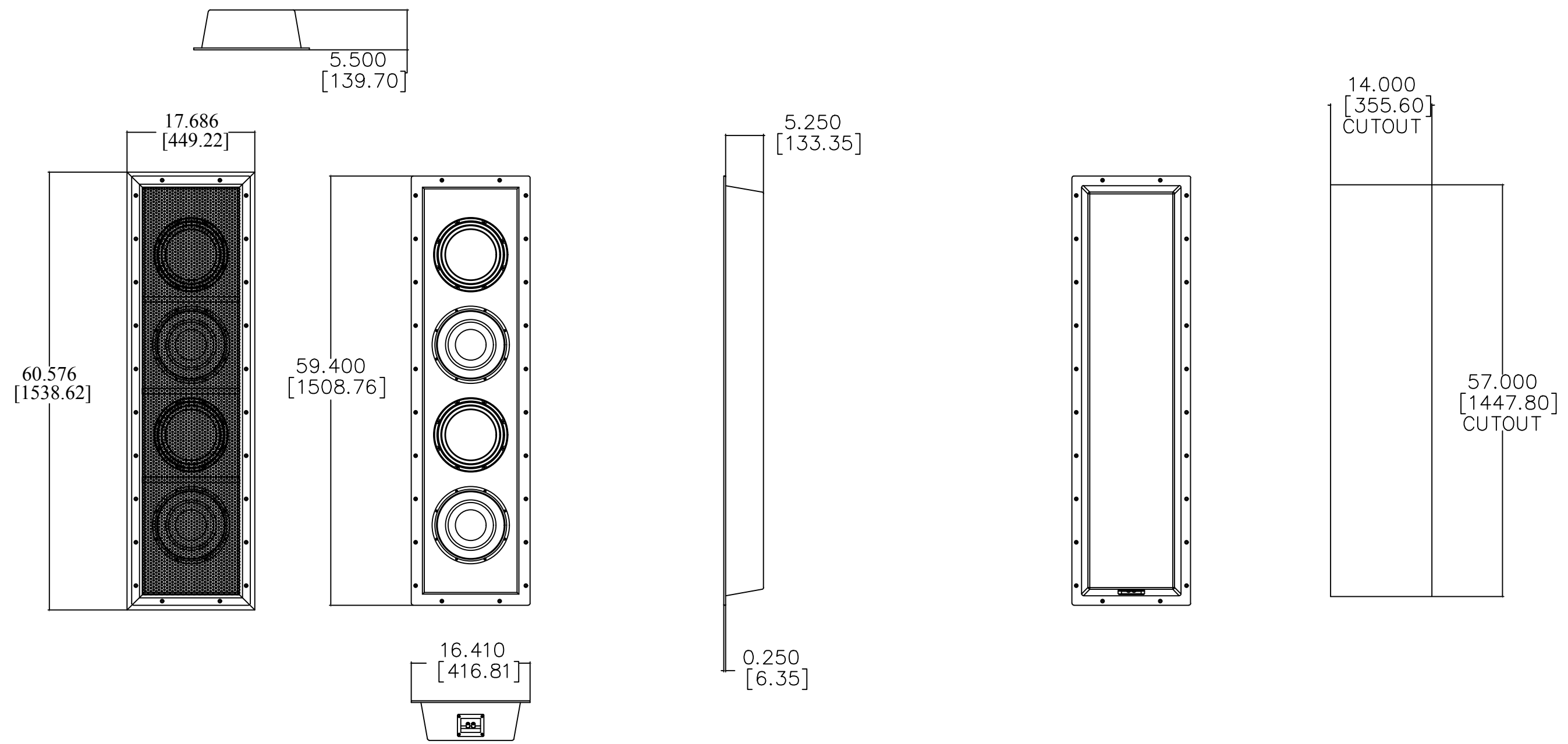


REVISIONS				
ECO	REV.	DESCRIPTION	DATE	APPROVED
	A	RELEASE FOR PRODUCTION	01-15-14	
	B	MADE SCREW HOLE SPACING SYMMETRICAL CHANGED DRIVER LOCATION, WIDENED FLANGES	06-15-14	
	C	CHANGE HOLE CUTOUT FOR PASSIVE AND ACTIVE DRIVERS	07-27-15	



NOTES:
 1: MATERIAL - 0.250" THICK 5052 ALUMINUM
 UNLESS OTHERWISE SPECIFIED
 2: FINISH - BLACK POWDER COAT

JAMES LOUDSPEAKER	
MAVERICK	
M1040BMS EXTERNAL	
P/N: -	DWR #: 140115-A01
REVISED BY: K. DUNLEA	
DRAWN BY: M. PARK	FILE:
DATE: 01-15-14	SCALE:
APPROVED:	
DRAFTING APPROVED:	
DO NOT SCALE DRAWING	
DRAWING NOT TO BE USED FOR CNC	
TOLERANCES: ANG: ± .5° FRACT. ± = 1/32	
DECIMALS: XX ± = .01 .XXX ± = .005	
REVISION: C	SHEET 1 OF 8