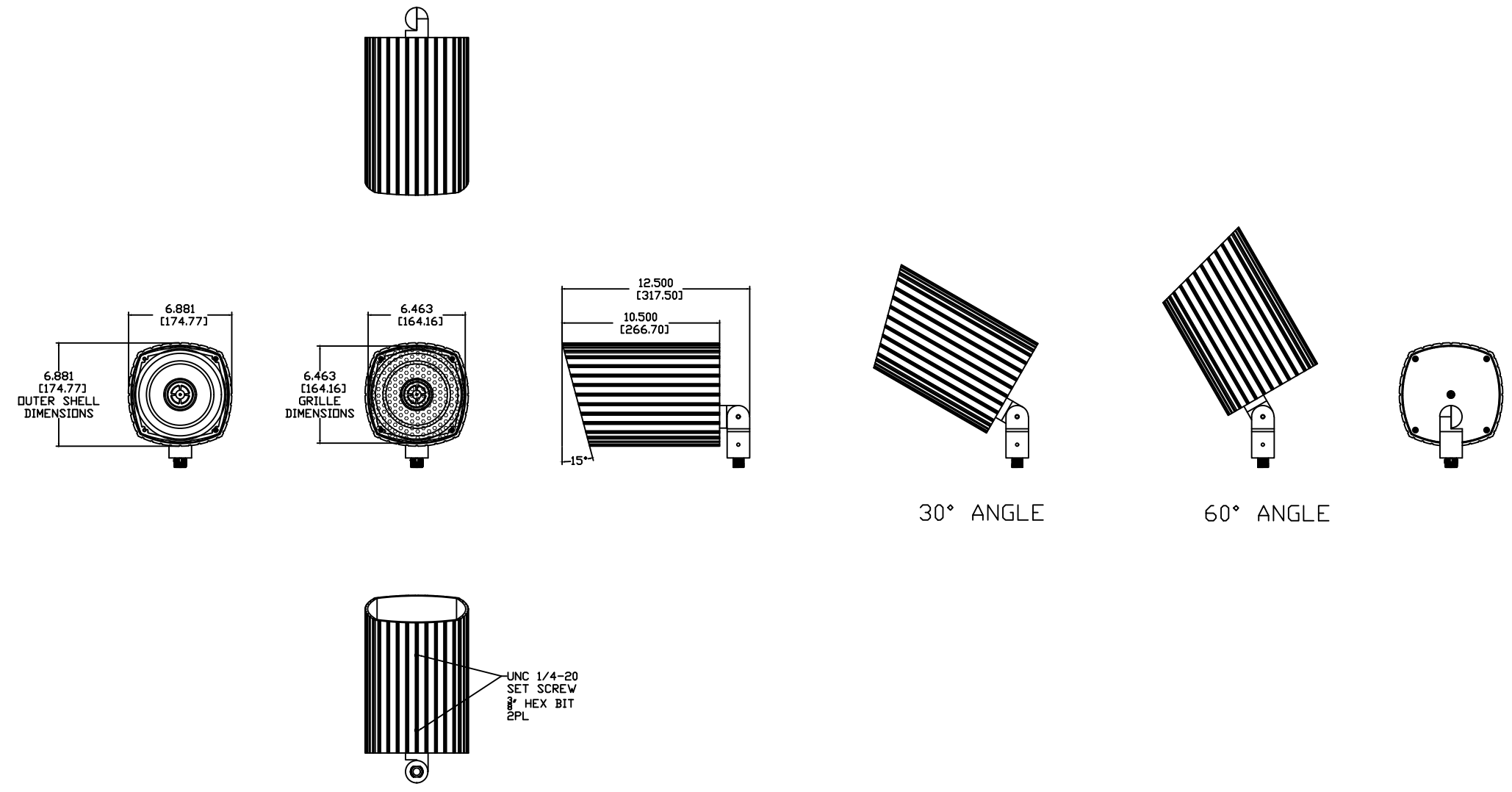
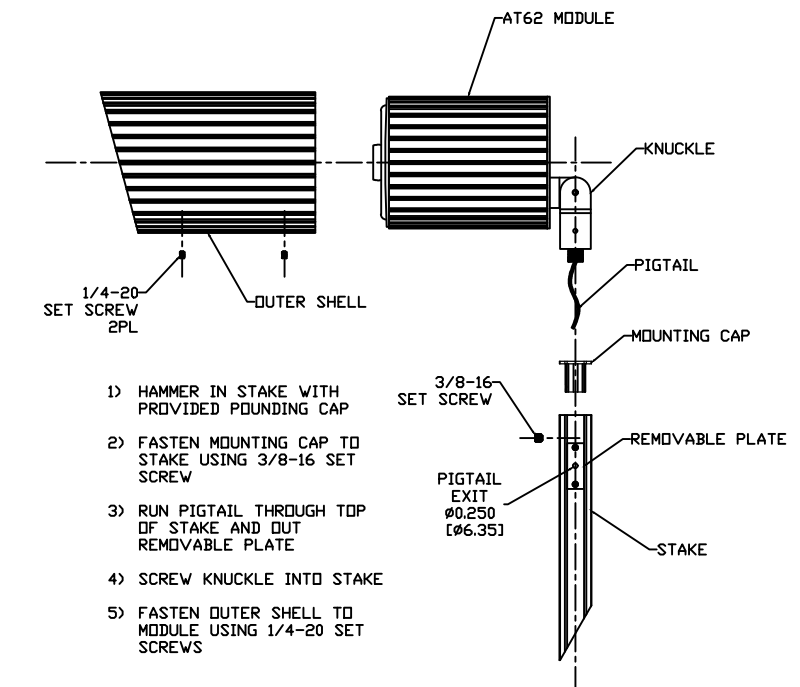
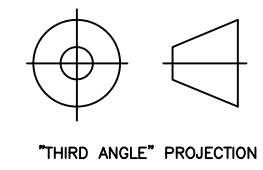


REVISIONS				
ECN	REV.	DESCRIPTION	DATE	APPROVED
	A	RELEASE FOR PRODUCTION	02-14-12	
	B	SET SCREW LOCATION, AND BACK PLATE HOLE LOC.	02-20-13	
17006	C	UPDATED FORMAT, AND ADDED ASSEMBLY VIEWS	01-17-18	
22010	D	DRAWING UPDATED, BACK PLATE REVISED	08-20-21	

ASSEMBLY INSTRUCTIONS



- NOTES:
- MATERIAL - AT62 EXTRUSION UNLESS OTHERWISE SPECIFIED
 - FINISH - TBD



PROPRIETARY INFORMATION	THE DESIGNS, INFORMATION, AND DATA CONTAINED HEREIN ARE PROPRIETARY AND ARE SUBMITTED IN CONFIDENCE, AND SHALL NOT BE DISCLOSED, USED OR DUPLICATED IN WHOLE OR IN PART, FOR ANY PURPOSES WHATSOEVER, WITHOUT THE PRIOR WRITTEN PERMISSION OF JAMES LOUDSPEAKER LLC, 2185 PARK PL, MINDEN, NV 89423. THIS LEGEND SHALL BE MARKED ON ANY REPRODUCTIONS HEREOF IN WHOLE OR IN PART. RECEIPT OF THIS DOCUMENT SHALL BE DEEMED TO BE AN ACCEPTANCE OF THE CONDITIONS SPECIFIED HEREIN.	
	JAMES LOUDSPEAKER	
	AT62	
	EXTERNAL DIMENSIONS	
	P/N: -	
	DWR #: 120214-C00	
	REVISED BY: M. GARCIA	
	DRAWN BY: M. PARK	
	DATE: 02-14-12	
	APPROVED:	
	DRAFTING APPROVED:	
	SCALE:	
	TOLERANCES: ANG: ± = .5° FRACT. ± = 1/32	
	DECIMALS: .XX ± = .01 .XXX ± = .005	
	REVISION: D	SHEET 1 OF 6